

PARTS CATALOGUE

EF2000iS (7DKE) U.S.A.



1J7DK-110E1

()

EF2000iS
PARTS CATALOGUE
©2010 by Yamaha Motor Co., Ltd.
1st edition, January 2010
All rights reserved.
Any reprinting or unauthorized use
without the written permission of
Yamaha Motor Co., Ltd.
is expressly prohibited.
Printed in Japan.

FOREWORD

This Parts Catalogue is related to the parts for the model(s) on the cover page. When you are ordering replacement parts, please refer to this Parts Catalogue and quote both part numbers and part names correctly.

1. Modifications or additions which have been made after the issue of the Parts Catalogue will be announced in the Parts News.

It is advisable that you make the necessary corrections to the Parts Catalogue according to the Parts News.

2. Abbreviations

The following abbreviations are used in this Parts Catalogue.

“UR” Use specified parts number.

“UN” Use as many as needed.

“AP” Alternate Parts

“LM” Locally Made (Parts need to be ordered locally)

“F#” Frame No. (Applicable machine No.)

“O/S” Over Size

3. The number of components for assembly

- Parts, which are to be supplied in an assembly, are listed with a dot (.) in front of the part name as shown below.
- The numeral appearing to the right of each component part indicates the quantity of parts for each assembly unit.

PART NO.	DESCRIPTION	Q'TY	REMARKS
2F5-83310-60	FRONT FLASHER LIGHT ASSY	2	
115-83311-60	.BULB (6V-18W)	1	

4. Applicable colours of graphics are represented in the “REMARKS” as shown below.

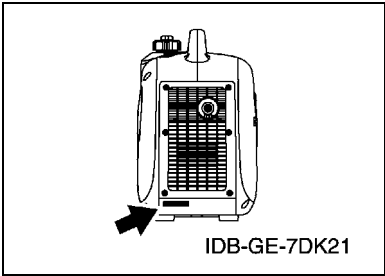
PART NO.	DESCRIPTION	Q'TY	REMARKS
2N4-24110-00-X5	FUEL TANK COMP.	2	MXR
3J1-24240-10	.GRAPHIC, FUEL TANK	1	FOR MXR

5. Note that the illustrations for reference in finding parts numbers are not to be used for assembling. When assembling, please use the applicable service manual.

6. The asterisk (*) before a reference number indicates modified items after the first edition.

FOREWORD

7. Applicable Serial No.
 Frame Serial No.



8. Applicable Colour Code (The (*) mark shows Model colour.)

Abbreviation	Colour Name	Colour Code
FWB(*)	FARAWAY BLUE	00NJ

9. Applicable Starting Serial No.
 *****Serial NO.

Model	Model Code	Destination	Voltage	Serial NO.
EF2000iS	7DKE	USA	120V-60Hz	7DK-1500101

CONTENTS

CYLINDER	1
CRANKSHAFT & PISTON	2
CAMSHAFT & VALVE	3
AIR SHROUD & STARTER	4
INTAKE	5
CARBURETOR	6
EXHAUST	7
CRANKCASE	8
FRAME	9
FRAME 2	11
FUEL TANK	13
TCI MAGNETO	14
GENERATOR	15
CONTROL BOX	16
GRAPHIC & EMBLEM	18

INDEX

NUMERICAL INDEX	19
-----------------------	----

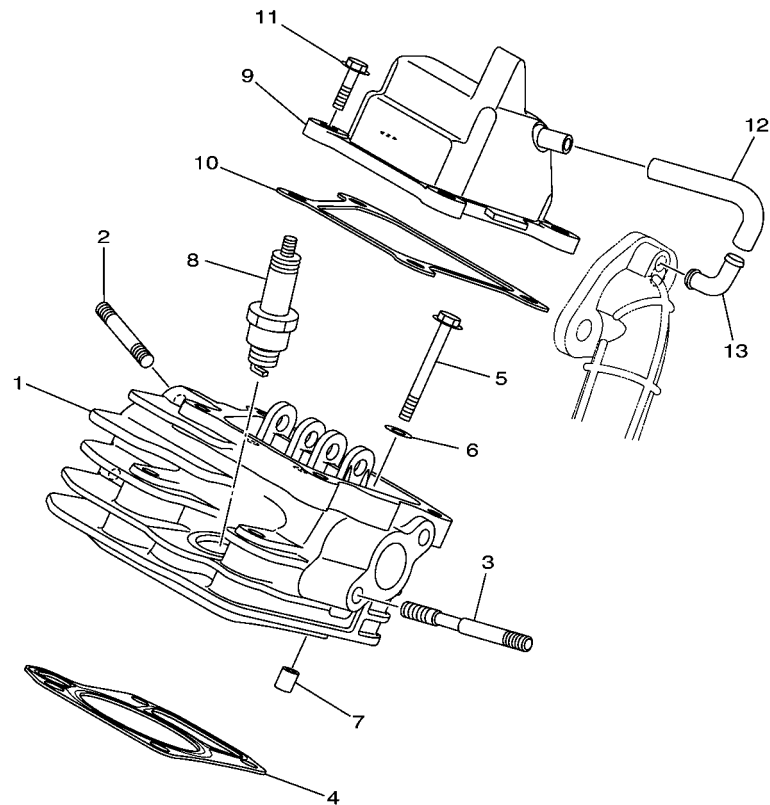
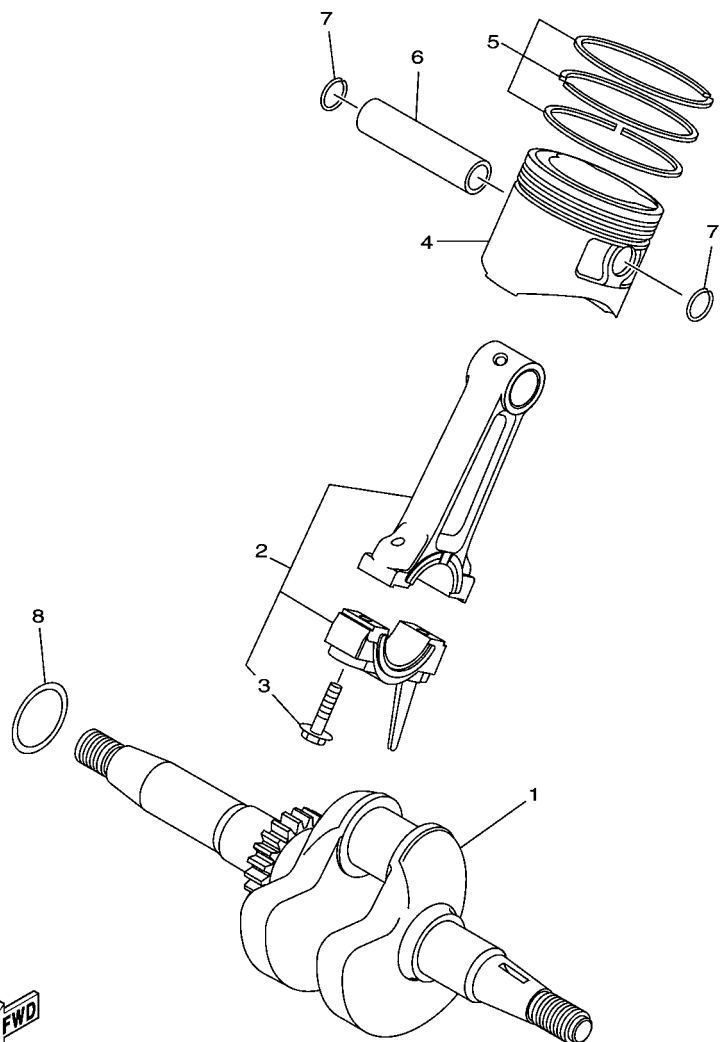


FIG. 1 CYLINDER

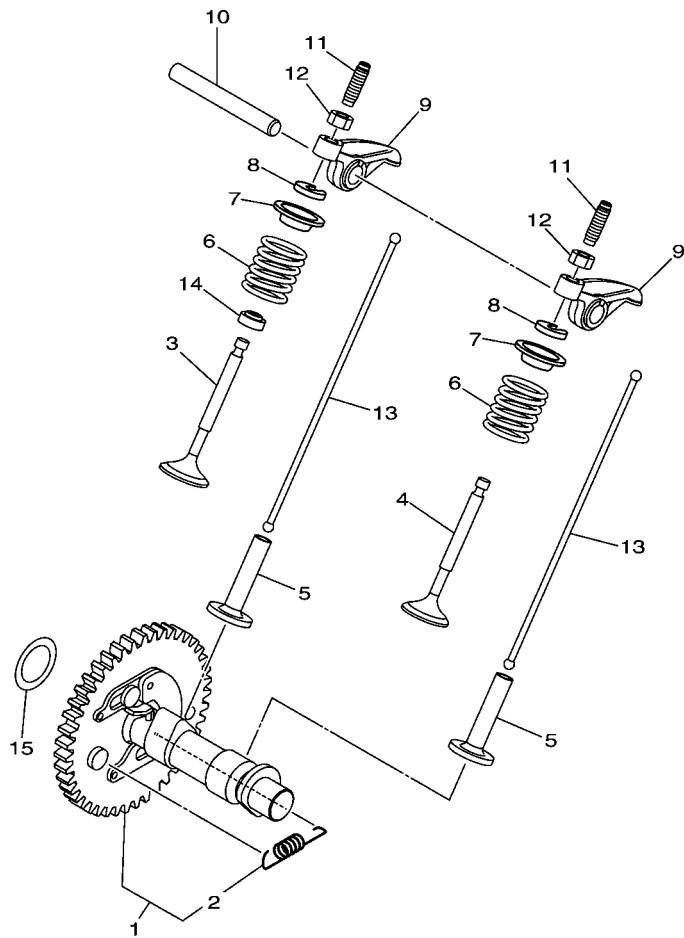
REF. NO.	PART NO.	DESCRIPTION	7DKE				REMARKS
1	7DX-E1111-01	HEAD, CYLINDER 1	1				
2	95602-06615	BOLT, STUD	2				
3	7DX-E1179-00	BOLT, STUD	2				
4	7DX-E1181-10	GASKET, CYLINDER HEAD 1	1				
5	95822-06050	BOLT, FLANGE	4				
6	92902-06200	WASHER	1				
7	99530-08012	PIN, DOWEL	2				
8	94702-00821	PLUG, SPARK (NGK BPR6HS)	1				
9	7DX-E1190-00	COVER, CYLINDER HEAD 1	1				
10	7DX-E1351-00	GASKET, CYLINDER	1				
11	95822-06016	BOLT, FLANGE	1				
12	7DX-E1166-00	PIPE, BREATHER 1	1				
13	7DX-E111J-00	PIPE 1	1				

FIG. 2 CRANKSHAFT & PISTON



7DK2110-H020

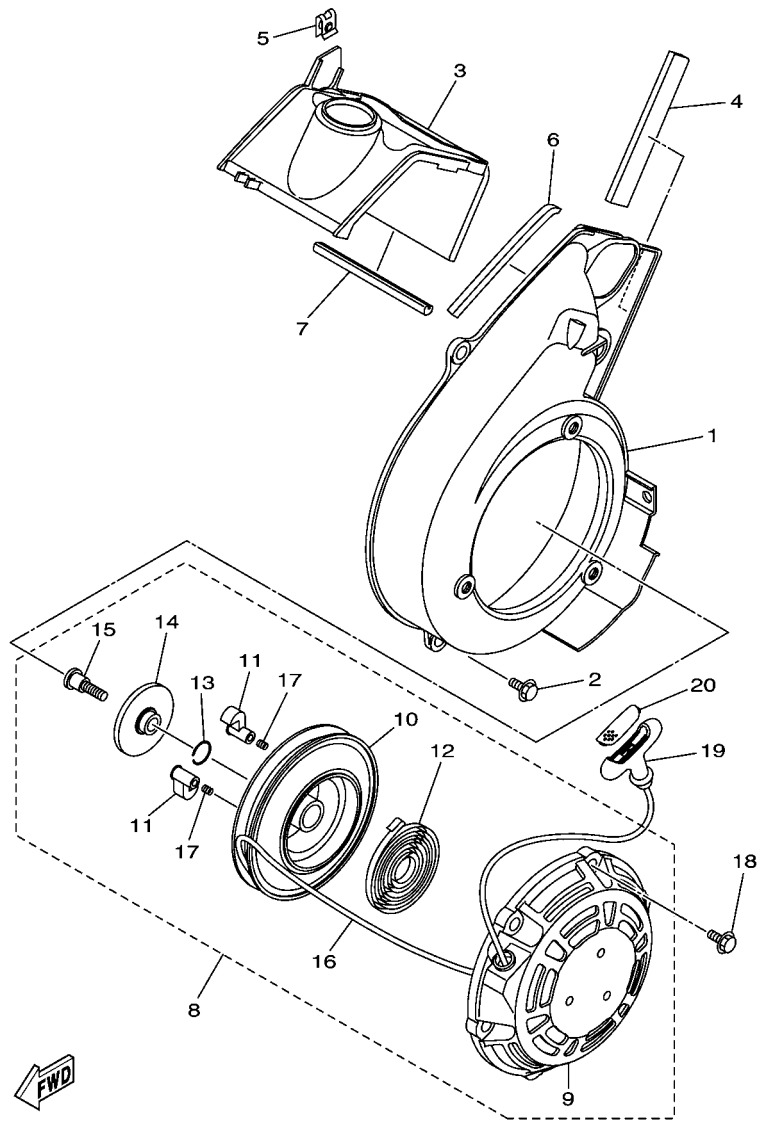
REF. NO.	PART NO.	DESCRIPTION	7DKE				REMARKS
1	7DX-E1400-10	CRANKSHAFT ASSY	1				
2	7DX-E1650-00	CONNECTING ROD ASSY	1				
3	7DX-E1654-00	.BOLT, CONNECTING ROD	2				
4	7DX-E1631-00-A0	PISTON (STD)	1				
	7DX-E1635-00	PISTON (0.25MM O/S)	1				AP
	7DX-E1636-00	PISTON (0.50MM O/S)	1				AP
5	7CY-E1610-00	PISTON RING SET (STD)	1				
	7CY-E1610-10	PISTON RING SET (0.25MM O/S)	1				AP
	7CY-E1610-20	PISTON RING SET (0.50MM O/S)	1				AP
6	7DX-E1633-00	PIN, PISTON	1				
7	93450-13819	CIRCLIP	2				
8	7DX-E1561-00	SHIM, CRANK 1	1				UN




7DKE110-J030

FIG. 3 CAMSHAFT & VALVE

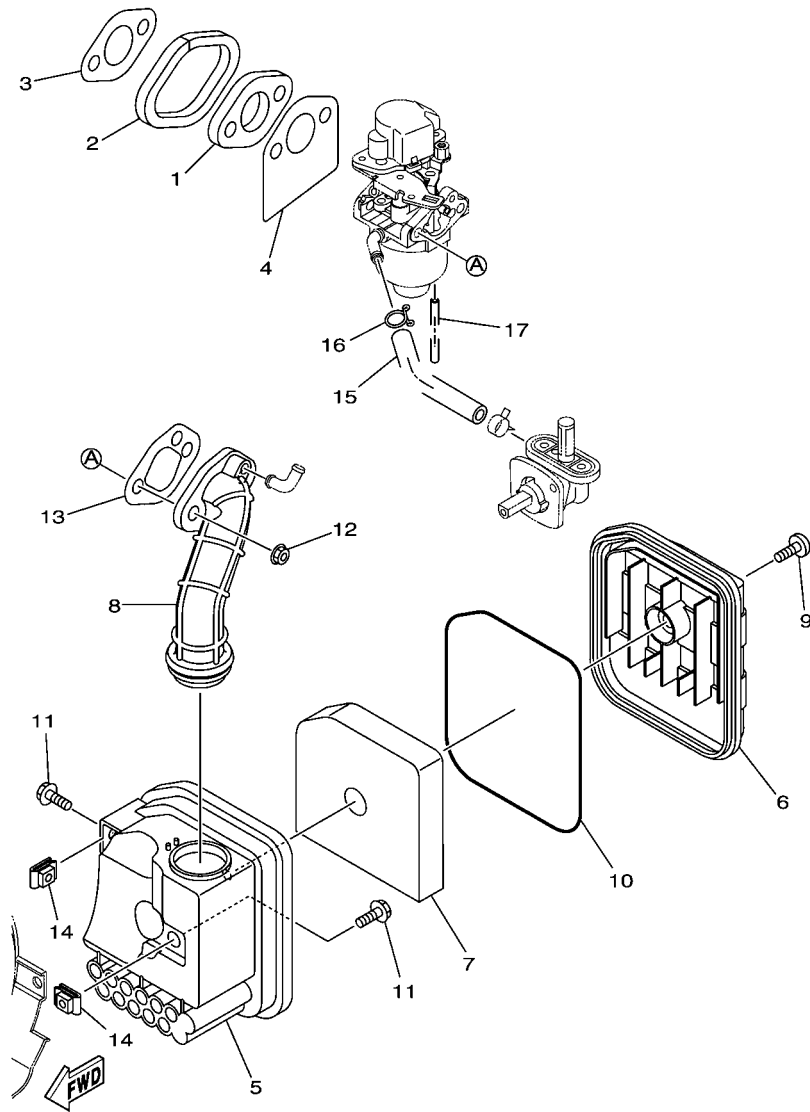
REF. NO.	PART NO.	DESCRIPTION	7DKE				REMARKS
1	7DX-E2180-11	CAMSHAFT ASSY 2	1				
2	7DX-E2287-00	.SPRING, DECOMPRESSION	1				
3	7DX-E2111-00	VALVE, INTAKE	1				
4	7DX-E2121-00	VALVE, EXHAUST	1				
5	7DX-E2153-00	LIFTER, VALVE	2				
6	90501-20800	SPRING, COMPRESSION	2				
7	7DX-E2117-00	RETAINER, VALVE SPRING	2				
8	7DX-E2118-00	COTTER, VALVE	2				
9	7DX-E2151-00	ARM, VALVE ROCKER	2				
10	7DX-E2156-00	SHAFT, ROCKER 2	1				
11	7CT-E2159-00	SCREW, VALVE ADJUSTING	2				
12	90170-05806	NUT	2				
13	7DX-E2154-00	ROD, VALVE PUSH	2				
14	7DX-E2119-01	SEAL, VALVE STEM	1				
15	7DX-F5153-00	SHIM, CAMSHAFT	1				UN




 7DK2110-H040

FIG. 4 AIR SHROUD & STARTER

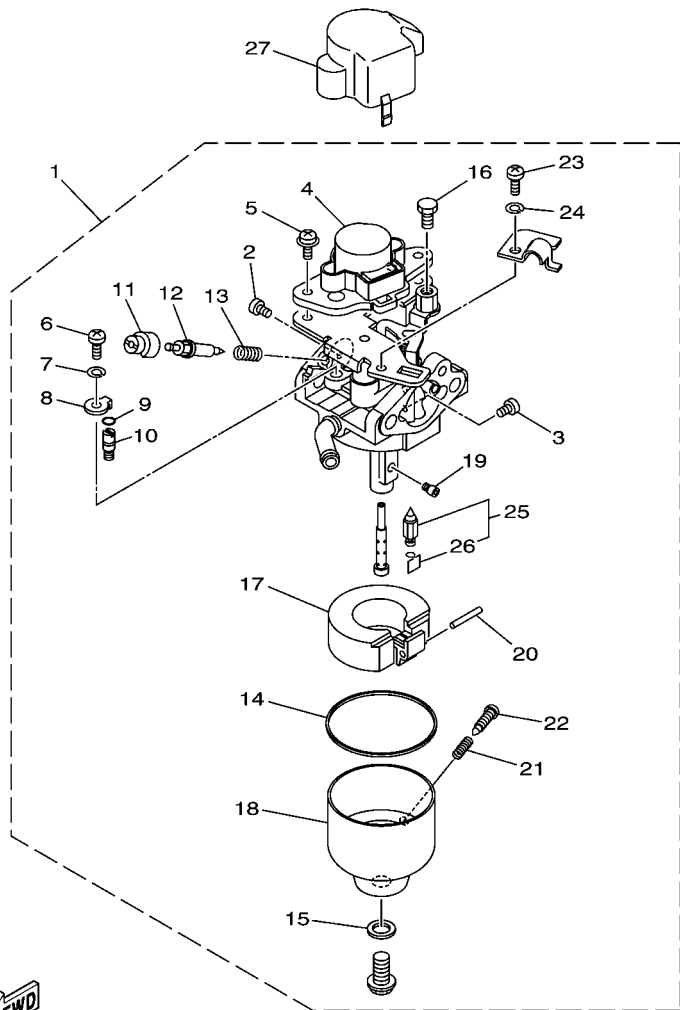
REF. NO.	PART NO.	DESCRIPTION	7DKE				REMARKS
1	7DX-E2621-00	CASE, FAN	1				
2	95802-06016	BOLT, FLANGE	4				
3	7DX-E2651-00	AIR SHROUD, CYLINDER 1	1				
4	90520-05800	DAMPER, PLATE	1				
5	7DX-E261D-00	NUT SPRING 1	1				
6	7CP-E262J-00	PAD, FAN CASE 3	1				
7	90520-05801	DAMPER, PLATE	1				
8	7DX-E5710-00	STARTER ASSY	1				
9	7DX-E5711-00	.CASE, STARTER	1				
10	7DX-E5714-00	.DRUM, SHEAVE	1				
11	7CN-E5741-01	.PAWL, DRIVE	2				
12	7CN-E5713-00	.SPRING, STARTER	1				
13	7CN-E5715-00	.SPRING, FRICTION	1				
14	7DX-E5716-00	.PLATE, DRIVE	1				
15	7DX-E5751-00	.SCREW	1				
16	7DX-E5755-00	.WIRE, STARTER	1				
17	7DX-E5734-00	.SPRING, RETURN	2				
18	95802-06016	BOLT, FLANGE	3				
19	7DK-15755-00	HANDLE, STARTER	1				
20	7DK-15720-00	CAP, HANDLE	1				



7DK3300-H050

FIG. 5 INTAKE

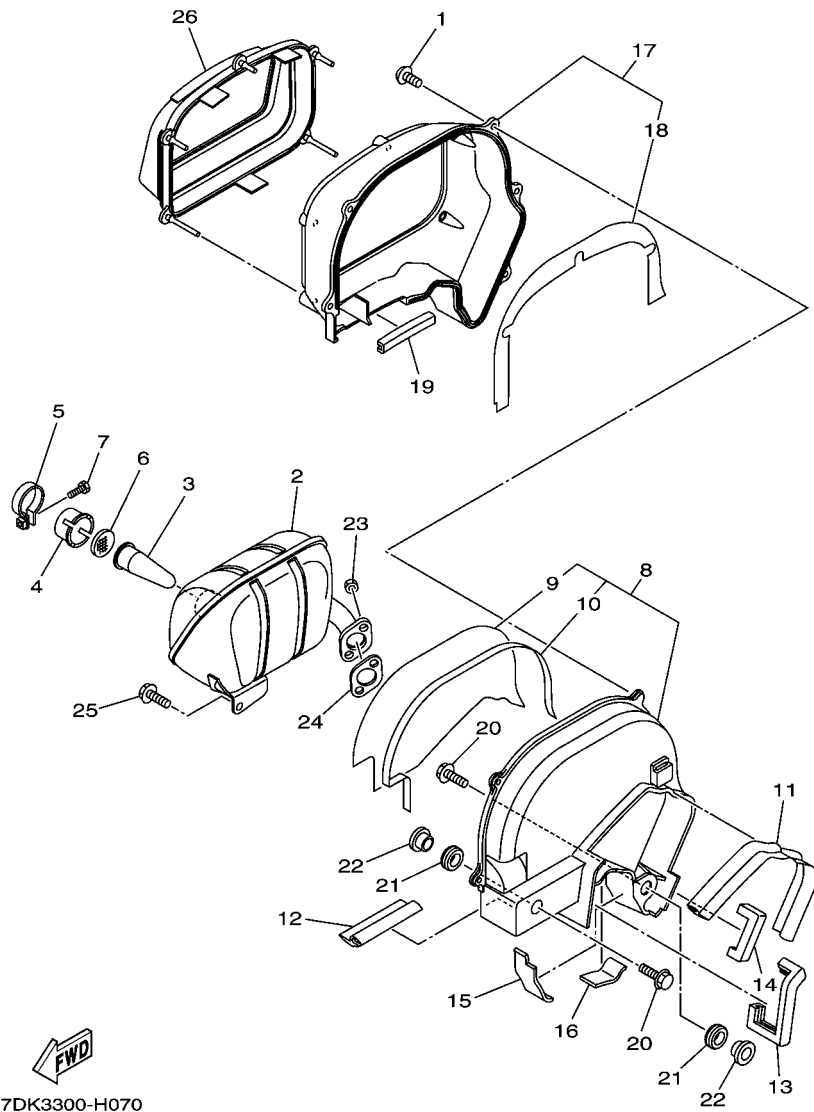
REF. NO.	PART NO.	DESCRIPTION	7DKE				REMARKS
1	7DX-E3595-00	JOINT	1				
2	7DX-E3593-00	DAMPER	1				
3	7DX-E3556-00	GASKET, MANIFOLD	1				
4	7DX-E3556-10	GASKET, MANIFOLD	1				
5	7DX-E4411-00	CASE, AIR CLEANER 1	1				
6	7DX-E4412-00	CAP, CLEANER CASE 1	1				
7	7DX-E4451-00	ELEMENT, AIR CLEANER	1				
8	7DX-E4453-01	JOINT, AIR CLEANER 1	1				
9	90154-06823	SCREW, BINDING	1				
10	7DX-E4467-00	SEAL	1				
11	95802-06020	BOLT, FLANGE	2				
12	95702-06500	NUT, FLANGE	2				
13	7DX-E4416-00	GASKET, AIR CLEANER	1				
14	90183-06808	NUT, SPRING	2				
15	7DX-F4311-00	PIPE, FUEL 1	1				
16	90467-09804	CLIP	1				
17	7DK-14148-00	PIPE	1				




7DKE110-J060

FIG. 6 CARBURETOR

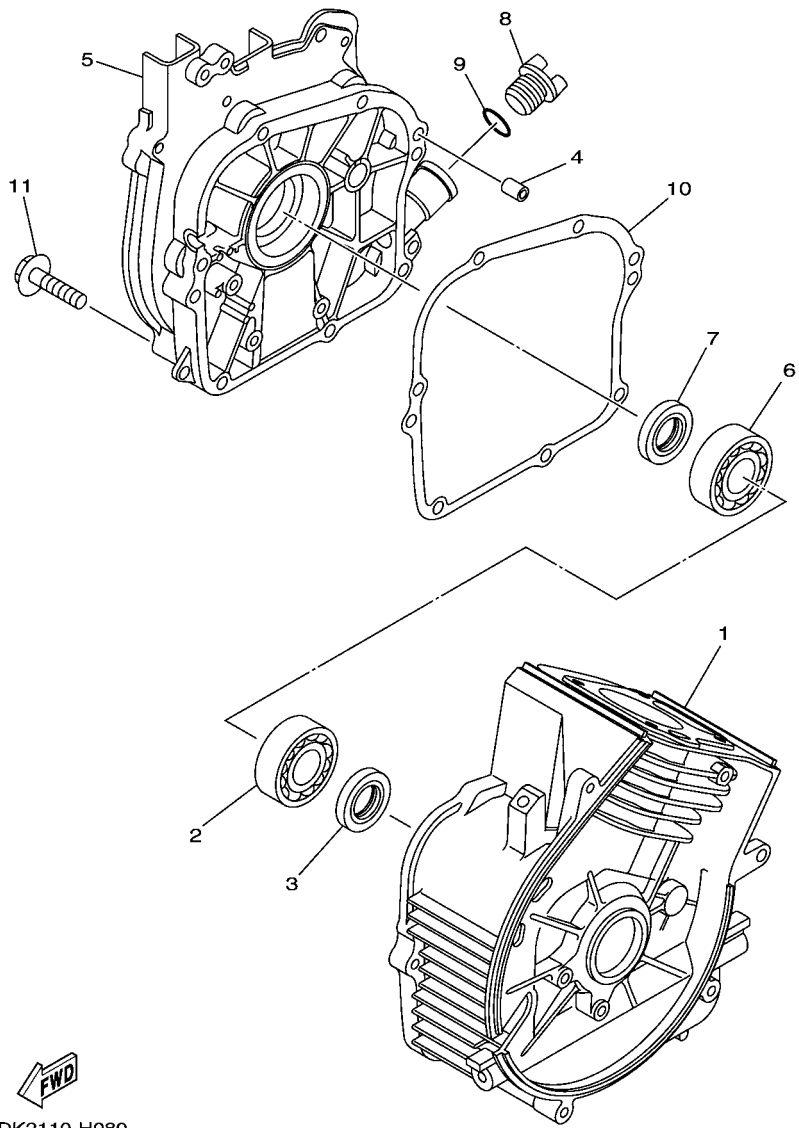
REF. NO.	PART NO.	DESCRIPTION	7DKE				REMARKS
1	7DX-E4101-10	CARBURETOR ASSY 1	1				
2	7RH-14216-00	.SCREW	1				
3	7RH-14486-00	.SCREW, ROD	2				
4	7DK-81802-09	.MOTOR UNIT ASSY.	1				
5	4SV-24453-00	.SCREW	2				
6	98507-05008	.SCREW, PAN HEAD	1				
7	92990-05100	.WASHER, SPRING	1				
8	7CU-E4527-00	.PLATE	1				
9	2H0-14147-00	.O-RING	1				
10	7CU-E4142-37-A0	.JET, PILOT (#37.5)	1				
11	7CP-E4118-00	.CAP	1				
12	7CU-E4211-00	.SCREW, PILOT ADJUSTING	1				
13	73A-14212-10	.SPRING	1				
14	7G0-14184-00	.GASKET, FLOAT CHAMBER	1				
15	7G0-14227-00	.WASHER	1				
16	78G-14496-00	.BOLT	1				
17	7EG-14185-00	.FLOAT	1				
18	7TD-14181-00	.BODY, FLOAT CHAMBER 1	1				
19	1HX-1423A-64-A0	.JET, MAIN (#67.5)	1				
20	7CN-E4186-00	.PIN, FLOAT	1				
21	73A-14212-00	.SPRING	1				
22	7E1-14191-00	.PLUG, DRAIN	1				
23	98507-05008	.SCREW, PAN HEAD	1				
24	92990-05100	.WASHER, SPRING	1				
25	7LG-14150-11	.NEEDLE ASSY	1				
26	7EG-14159-00	.CLIP	1				
27	7DK-14293-00	COVER 1	1				



7DK3300-H070

FIG. 7 EXHAUST

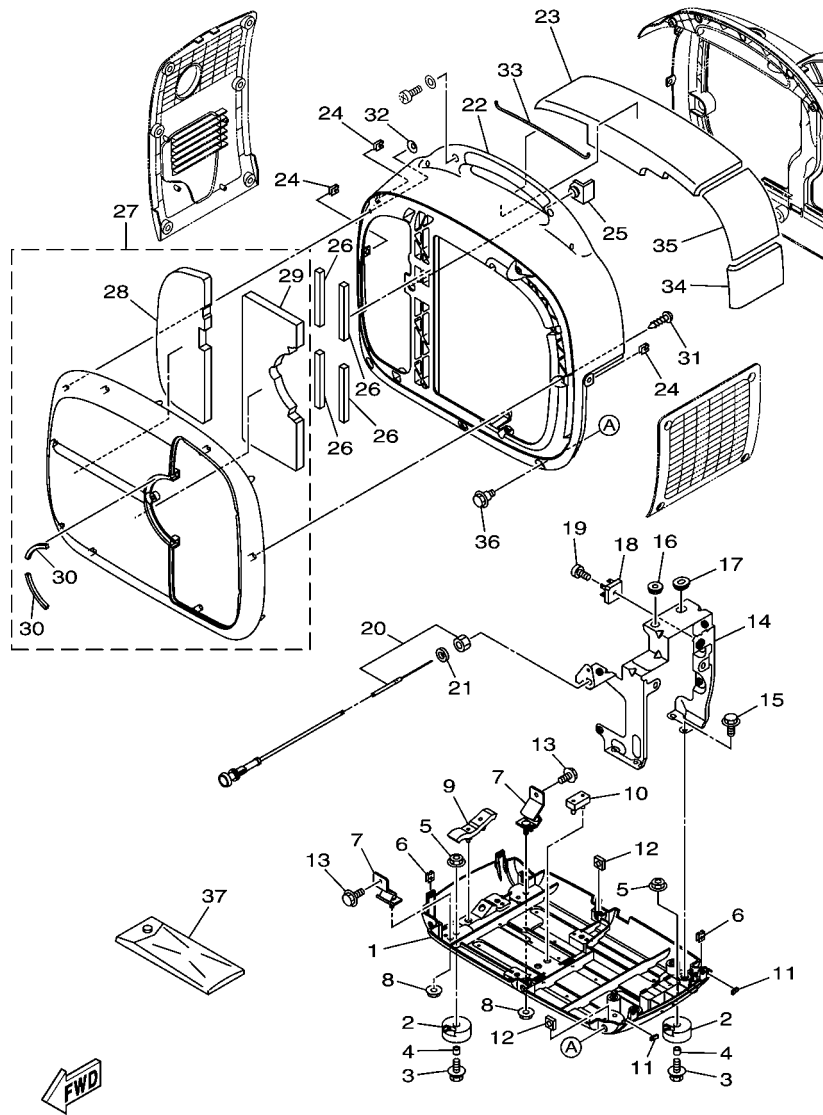
REF. NO.	PART NO.	DESCRIPTION	7DKE				REMARKS
1	97702-50014	SCREW, TAPPING	5				
2	7DX-E4721-10	MUFFLER 2	1				
3	7DX-E4786-00	ARRESTER, SPARK	1				
4	7CA-E4799-00	CAP	1				
5	7CA-E4788-00	BAND, SILENCER	1				
6	7CA-E479E-00	NET, WIRE 2	1				
7	90153-05800	SCREW, HEXAGON	1				
8	7DX-E471C-00	PROTECTOR ASSY 1	1				
9	7DX-E2684-00	.DAMPER, DUCT 1	1				
10	7DX-E2686-00	.DAMPER, DUCT 3	1				
11	7DX-E4452-00	SEAL	1				
12	7DX-E4457-00	SEAL	1				
13	7DX-E5494-00	SEAL, PROTECTOR	1				
14	7DX-E5495-00	SEAL, PROTECTOR 1	1				
15	7DX-E5496-00	SEAL, PROTECTOR 2	1				
16	7DX-E549D-00	SEAL, PROTECTOR	1				
17	7DX-E472C-00	PROTECTOR ASSY., 2	1				
18	7DX-E2685-00	.DAMPER, DUCT 2	1				
19	7DX-E5495-00	SEAL, PROTECTOR 1	1				
20	95822-06016	BOLT, FLANGE	2				
21	90480-12237	GROMMET	2				
22	90387-088V6	COLLAR	2				
23	95302-06600	NUT	2				
24	7DX-E4613-00	GASKET, EXHAUST PIPE	1				
25	95822-06014	BOLT, FLANGE	1				
26	7DX-E2691-00	DUCT, 1	1				



FWD
7DK2110-H080

FIG. 8 CRANKCASE

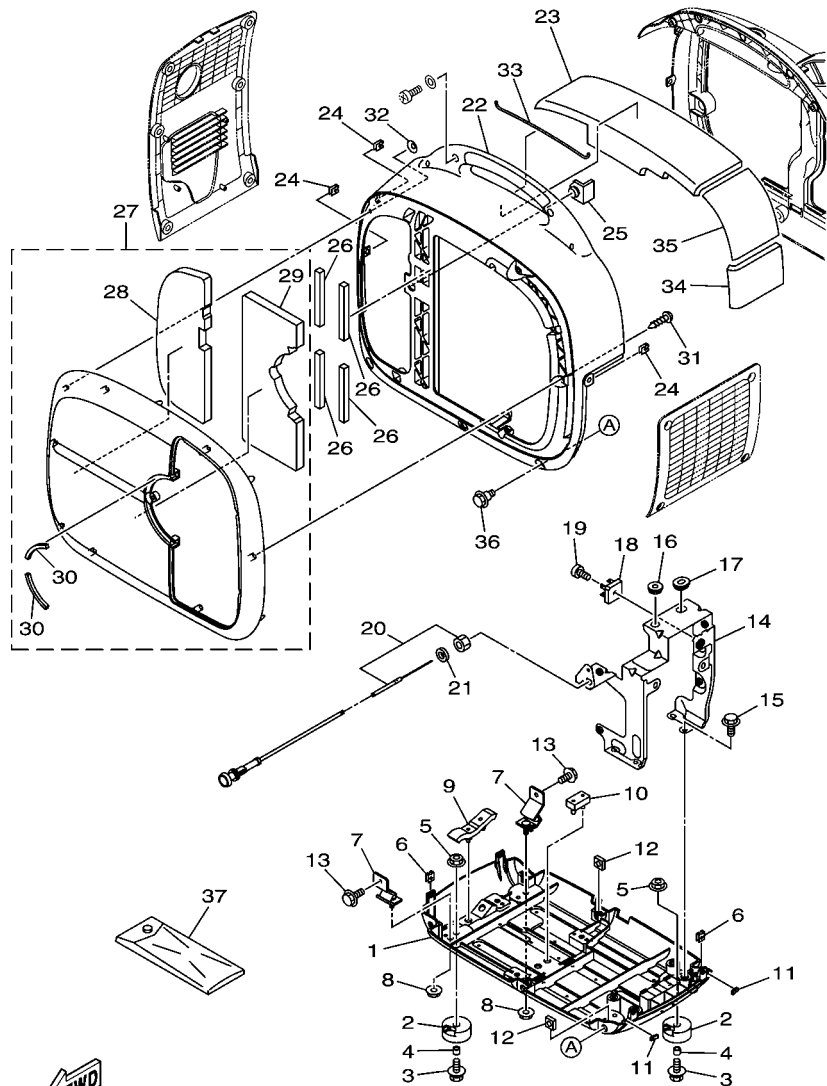
REF. NO.	PART NO.	DESCRIPTION	7DKE				REMARKS
1	7DX-E5111-00	CRANKCASE 1	1				
2	93306-204YY	BEARING	1				
3	93102-20802	OIL SEAL	1				
4	99530-08012	PIN, DOWEL	2				
5	7DX-E5411-00	COVER, CRANKCASE 1	1				
6	93306-204YY	BEARING	1				
7	93102-20802	OIL SEAL	1				
8	7DX-E5363-00	PLUG, OIL	1				
9	93210-15803	O-RING	1				
10	7DX-E5451-00	GASKET, CRANKCASE COVER 1	1				
11	95822-06020	BOLT, FLANGE	7				



7DKE110-J090

FIG. 9 FRAME

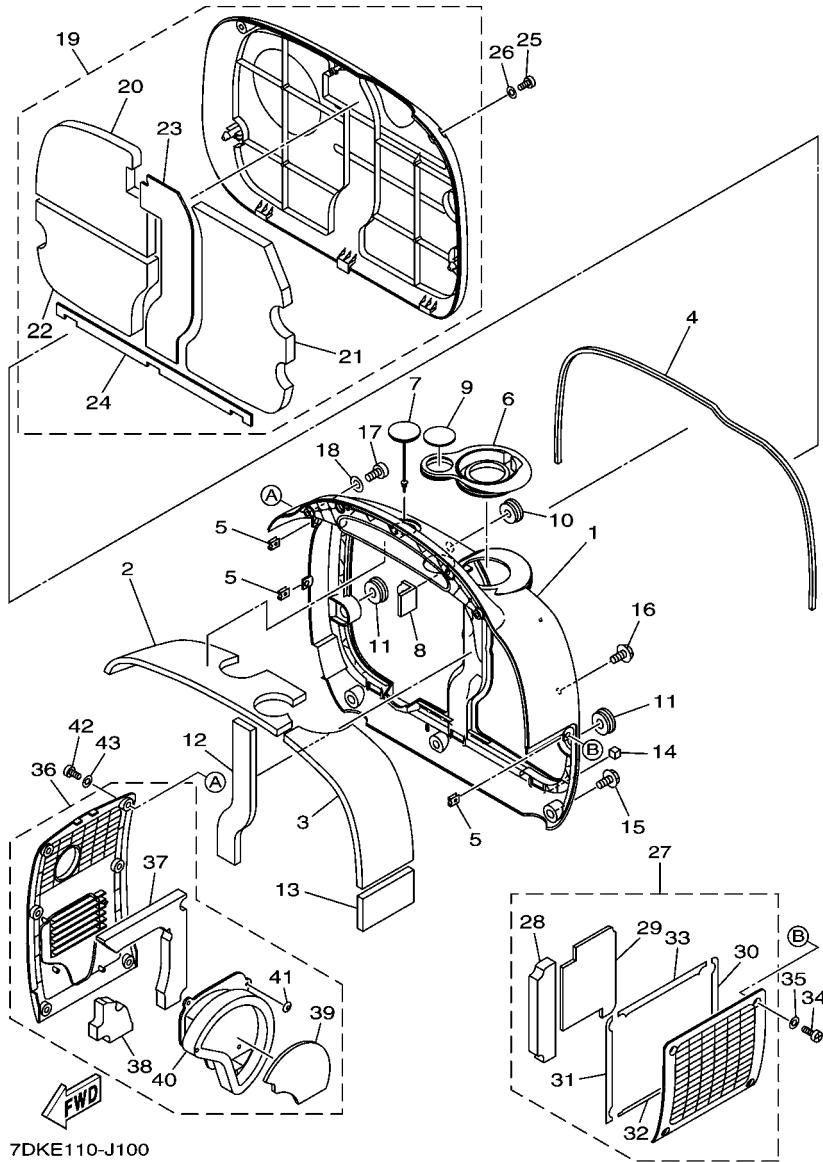
REF. NO.	PART NO.	DESCRIPTION	7DKE				REMARKS
1	7DK-22881-00	BASE, MOUNTING	1				
2	7DK-22895-00	INSULATOR, MOUNTING	4				
3	90119-06147	BOLT, WITH WASHER	4				
4	90387-063K3	COLLAR	4				
5	95702-06500	NUT, FLANGE	4				
6	90183-05061	NUT, SPRING	4				
7	7DK-22891-00	INSULATOR, MOUNTING	4				
8	95702-06500	NUT, FLANGE	4				
9	7DK-22275-00	DAMPER, STOPPER	1				
10	7DK-22218-00	DAMPER, SHOCK ABSORBER LOWER	1				
11	90520-03006	DAMPER, PLATE	2				
12	90173-06008	NUT, SQUARE	6				
13	95812-06012	BOLT, FLANGE	4				
14	7DK-24191-00	BRACKET, FUEL TANK 1	1				
15	95802-06010	BOLT, FLANGE	4				
16	90480-13567	GROMMET	1				
17	90480-01558	GROMMET	1				
18	7VU-87105-00	RECTIFIER ASSY 1	1				
19	98502-05014	SCREW, PAN HEAD	1				
20	7DK-26331-00	CABLE, STARTER 1	1				
21	90201-11597	WASHER, PLATE	1				
22	7DK-22865-00	COVER, FRONT	1				
23	7DK-22873-00	SEAL 1	1				
24	90183-05061	NUT, SPRING	3				
25	7DK-2282E-00	STOPPER	1				
26	90520-05005	DAMPER, PLATE	4				
27	7DK-228B0-10	COVER ASSY 2	1				



7DKE110-J090

FIG. 9 FRAME

REF. NO.	PART NO.	DESCRIPTION	7DKE				REMARKS
28	7DK-22874-10	.SEAL 2	1				
29	7DK-22875-10	.SEAL 3	1				
30	90520-05004	.DAMPER, PLATE	2				
31	97702-50016	SCREW, TAPPING	6				
32	90183-05004	NUT, SPRING	2				
33	7DK-23383-00	COVER, DUST SEAL 1	1				
34	90520-10009	DAMPER, PLATE	1				
35	90520-05010	DAMPER, PLATE	1				
36	90109-06278	BOLT	3				
37	7DK-28100-00	TOOL KIT	1				



7DKE110-J100

FIG. 10 FRAME 2

REF. NO.	PART NO.	DESCRIPTION	7DKE				REMARKS
1	7DK-22866-00	COVER, REAR	1				
2	7DK-22876-00	SEAL 4	1				
3	7DK-22886-00	SEAL 9	1				
4	90520-04003	DAMPER, PLATE	1				
5	90183-05061	NUT, SPRING	3				
6	7DK-2419A-00	HOLDER	1				
7	7DK-22855-00	COVER 2	1				
8	7DK-2282E-00	STOPPER	1				
9	7WL-21764-00	LENS, LEVEL GAUGE	1				
10	90480-13398	GROMMET	1				
11	90480-01559	GROMMET	2				
12	7DK-2289F-00	SEAL 17	1				
13	90520-10009	DAMPER, PLATE	1				
14	90520-04004	DAMPER, PLATE	1				
15	90109-06278	BOLT	3				
16	95802-06010	BOLT, FLANGE	1				
17	98507-05012	SCREW, PAN HEAD	4				
18	92907-05600	WASHER, PLATE	4				
19	7DK-228D0-10	COVER ASSY 4	1				
20	7DK-22877-10	.SEAL, 5	1				
21	7DK-22878-10	.SEAL 6	1				
22	7DK-2289H-10	.SEAL 19	1				
23	7DK-2289J-00	.SEAL 20	1				
24	7DK-2289K-00	.SEAL 21	1				
25	98507-05012	SCREW, PAN HEAD	2				
26	92907-05600	WASHER, PLATE	2				
27	7DK-228E0-00	COVER ASSY 5	1				

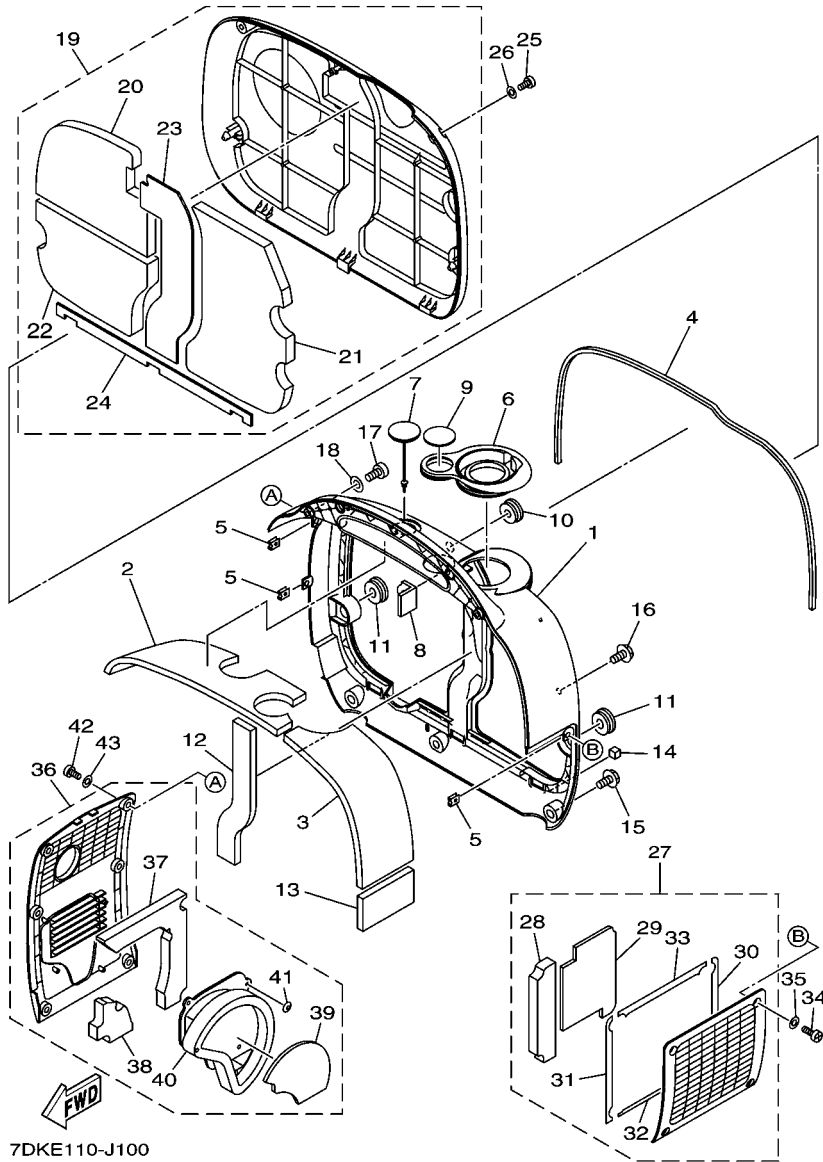
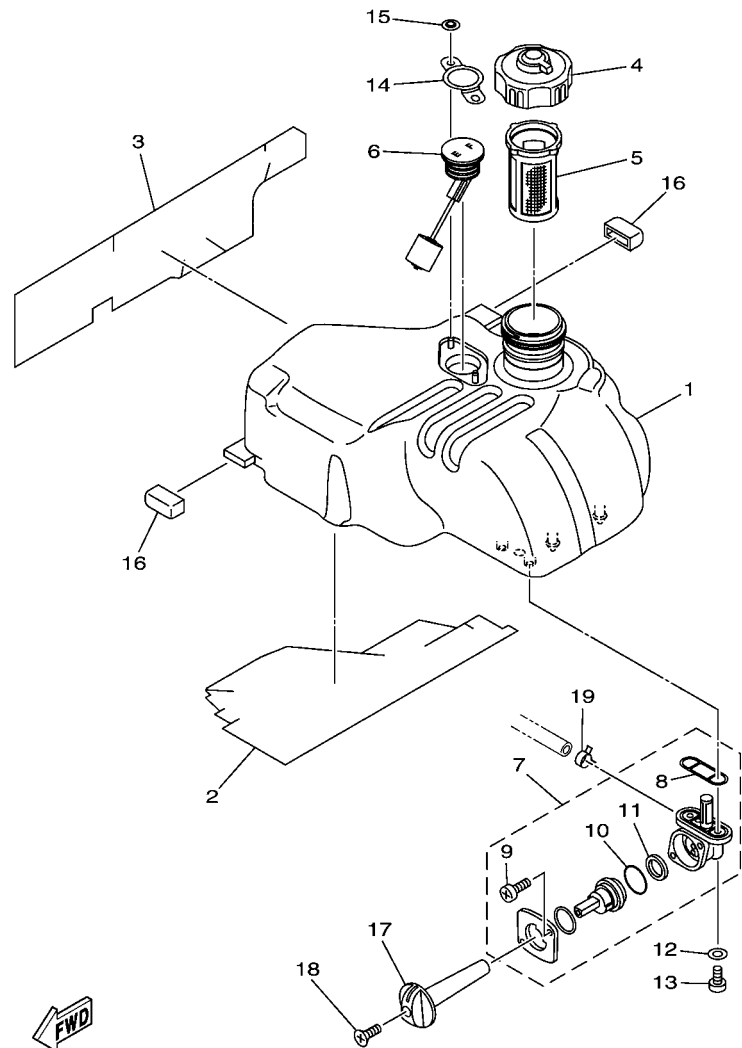


FIG. 10 FRAME 2

REF. NO.	PART NO.	DESCRIPTION	7DKE				REMARKS
28	7DK-22879-00	.SEAL, 7	1				
29	7DK-2289M-00	.SEAL 23	1				
30	7DK-2281K-00	.SEAL, RUBBER 7	1				
31	7DK-2281L-00	.SEAL, RUBBER 8	1				
32	7DK-2281M-00	.SEAL, RUBBER 9	1				
33	7DK-2281N-00	.SEAL, RUBBER 10	1				
34	98507-05012	SCREW, PAN HEAD	4				
35	92907-05600	WASHER, PLATE	4				
36	7DK-228F0-10	COVER ASSY 6	1				
37	7DK-22885-10	.SEAL 8	1				
38	7DK-22888-00	.SEAL 11	1				
39	7DK-22889-00	.SEAL 12	1				
40	7DK-2286A-00	.DUCT 1	1				
41	90183-05004	.NUT, SPRING	4				
42	98507-05012	SCREW, PAN HEAD	6				
43	92907-05600	WASHER, PLATE	6				



7DK2110-H110

FIG. 11 FUEL TANK

REF. NO.	PART NO.	DESCRIPTION	7DKE				REMARKS
1	7DK-24110-00	FUEL TANK COMP.	1				
2	7DK-24141-00	PROTECTOR, FUEL TANK	1				
3	7DK-24129-00	COVER, SIDE 1	1				
4	7DK-24610-10	CAP ASSY	1				
5	7CG-24167-00	STRAINER	1				
6	7F7-85710-02	FUEL LEVEL GAUGE ASSY	1				
7	7CF-24500-00	FUEL COCK ASSY 1	1				
8	7CF-24512-00	.O-RING	1				
9	98502-03008	.SCREW, PAN HEAD	2				
10	3AJ-24534-01	.SEAL, COCK	1				
11	3AC-24523-00	.VALVE PACKING	1				
12	90202-05193	WASHER, PLATE	2				
13	90149-06011	SCREW	2				
14	7DK-2413X-00	PLATE	1				
15	90183-05004	NUT, SPRING	2				
16	7DK-24181-00	DAMPER, LOCATING 1	2				
17	7DK-24524-00	LEVER, COCK	1				
18	98707-04020	SCREW, FLAT HEAD	1				
19	90467-09037	CLIP	1				

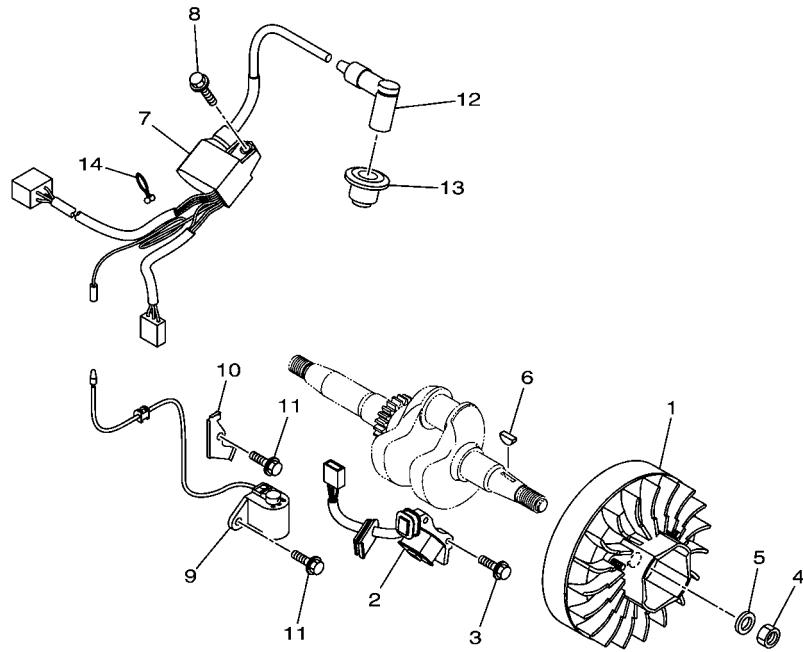


FIG. 12 TCI MAGNETO

REF. NO.	PART NO.	DESCRIPTION	7DKE				REMARKS
1	7DX-H5550-10	ROTOR ASSY	1				
2	7DX-H5521-10	COIL ASSY	1				
3	95822-06020	BOLT, FLANGE	1				
4	95302-12700	NUT	1				
5	92902-12600	WASHER, PLATE	1				
6	90280-03045	KEY, WOODRUFF	1				
7	7DX-H2310-01	IGNITION COIL ASSY	1				
8	95802-06020	BOLT, FLANGE	1				
9	7DX-H5720-00	OIL LEVEL GAUGE ASSY	1				
10	7DX-H5724-00	CLAMP	1				
11	95822-06012	BOLT, FLANGE	3				
12	7CN-H2370-00	PLUG CAP ASSY	1				
13	7CP-H2372-00	SEAL, PLUG CAP	1				
14	90464-16805	CLAMP	1				


7DKE110-J120

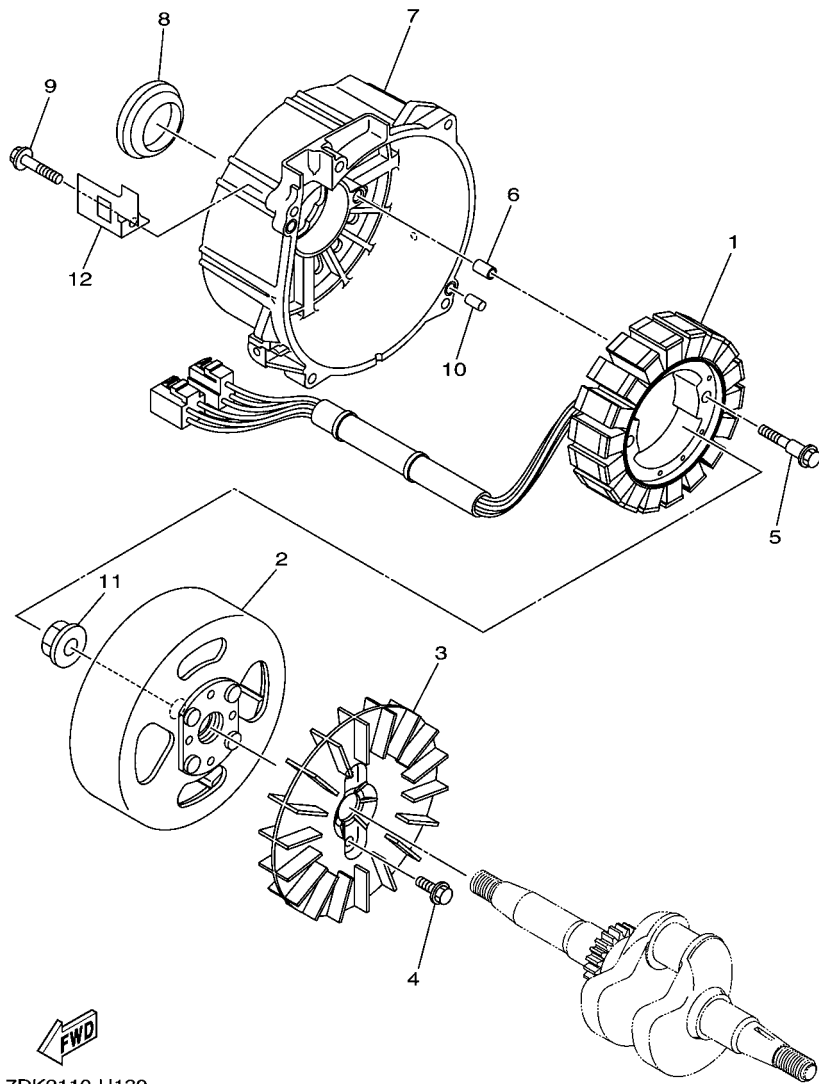


FIG. 13 GENERATOR

REF. NO.	PART NO.	DESCRIPTION	7DKE				REMARKS
1	7DK-87150-E0	STATOR ASSY	1				
2	7DK-87160-00	ROTOR ASSY	1				
3	7DK-87172-00	FAN, GENERATOR	1				
4	95802-06012	BOLT, FLANGE	2				
5	90109-06269	BOLT	2				
6	99530-08012	PIN, DOWEL	2				
7	7DK-87174-02	COVER, REAR END	1				
8	90338-40210	PLUG	1				
9	95802-06030	BOLT, FLANGE	5				
10	99530-08012	PIN, DOWEL	2				
11	90179-12013	NUT	1				
12	7DK-85542-00	BRACKET	1				

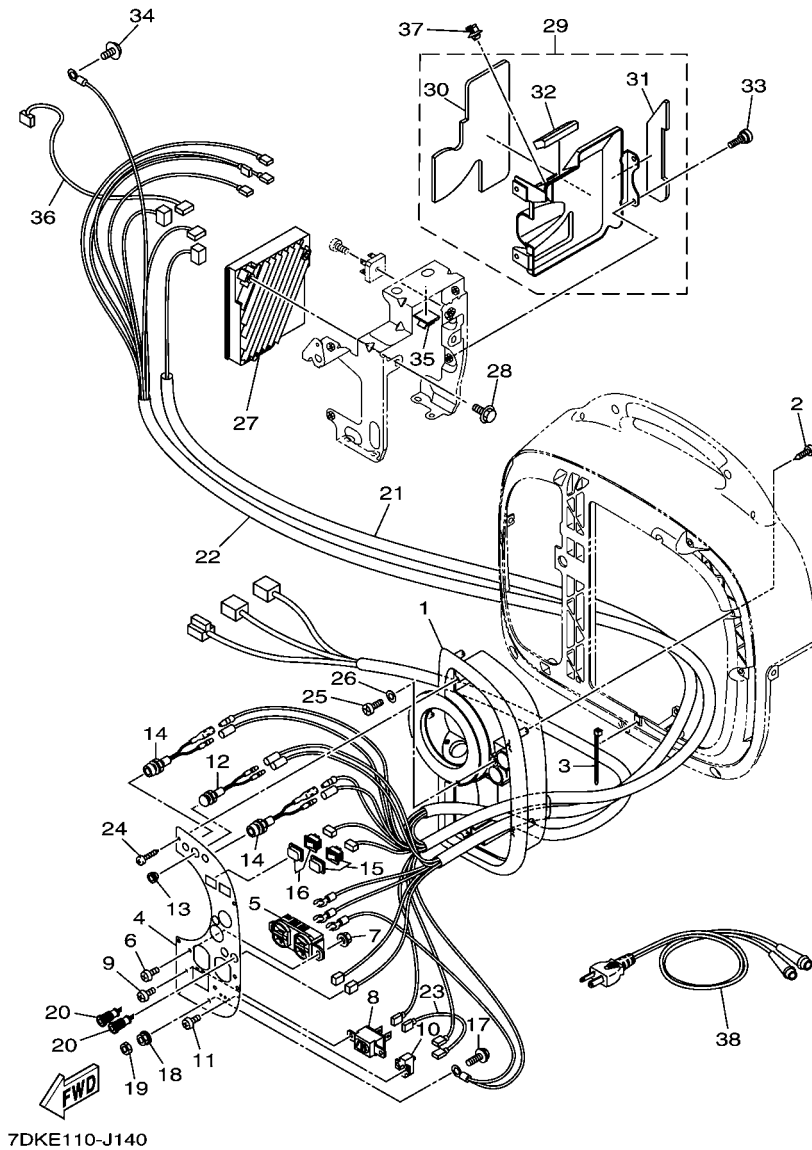


FIG. 14 CONTROL BOX

REF. NO.	PART NO.	DESCRIPTION	7DKE				REMARKS
1	7DK-87201-01	CONTROL BOX COMP.	1				
2	97702-50016	SCREW, TAPPING	5				
3	90465-13M11	CLAMP	1				
4	7DK-87249-20	PLATE	1				
5	7DK-87221-90	RECEPTACLE 1 (P&S 5-20R)	1				(20A-125V)
6	98507-04012	SCREW, PAN HEAD	2				
7	95702-04500	NUT, FLANGE	2				
8	7LG-87239-00	RECEPTACLE COMP. (DC 24V-12A)	1				NIPPON LOCK
9	98507-04008	SCREW, PAN HEAD	2				
10	7VV-82181-00	CIRCUIT BREAKER COMP. (8A)	1				HOSIDEN
11	98507-03008	SCREW, PAN HEAD	2				
12	7CH-83530-C0	PILOT LIGHT ASSY	1				
13	90480-13012	GROMMET	1				
14	7CH-83582-C1	PILOT LIGHT ASSY	2				
15	7CG-82550-C0	ENGINE STOP SWITCH ASSY	1				(RED)
16	7XX-82550-00	ENGINE STOP SWITCH ASSY	1				ECON. SW. (BLACK)
17	97080-05016	BOLT	1				
18	95702-05500	NUT, FLANGE	1				
19	95380-05700	NUT	1				
20	7CF-87231-00	TERMINAL 1	2				
21	7DK-87226-10	WIRE HARNESS ASSY	1				
22	7DK-8722J-10	WIRE, LEAD	1				
23	7WL-8722Y-00	WIRE, LEAD 4	1				
24	97707-40516	SCREW, TAPPING	5				
25	98507-05012	SCREW, PAN HEAD	1				
26	92907-05600	WASHER, PLATE	1				
27	7DK-8A210-A0	CONTROL UNIT	1				

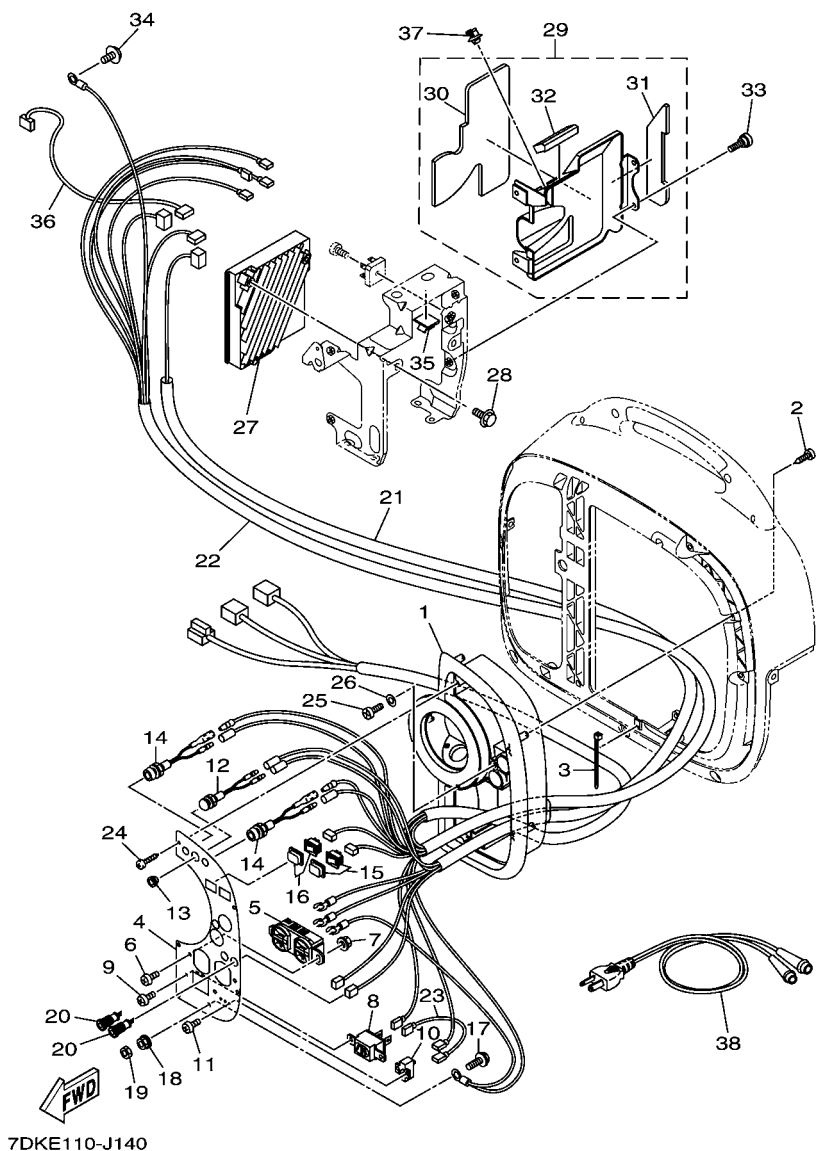
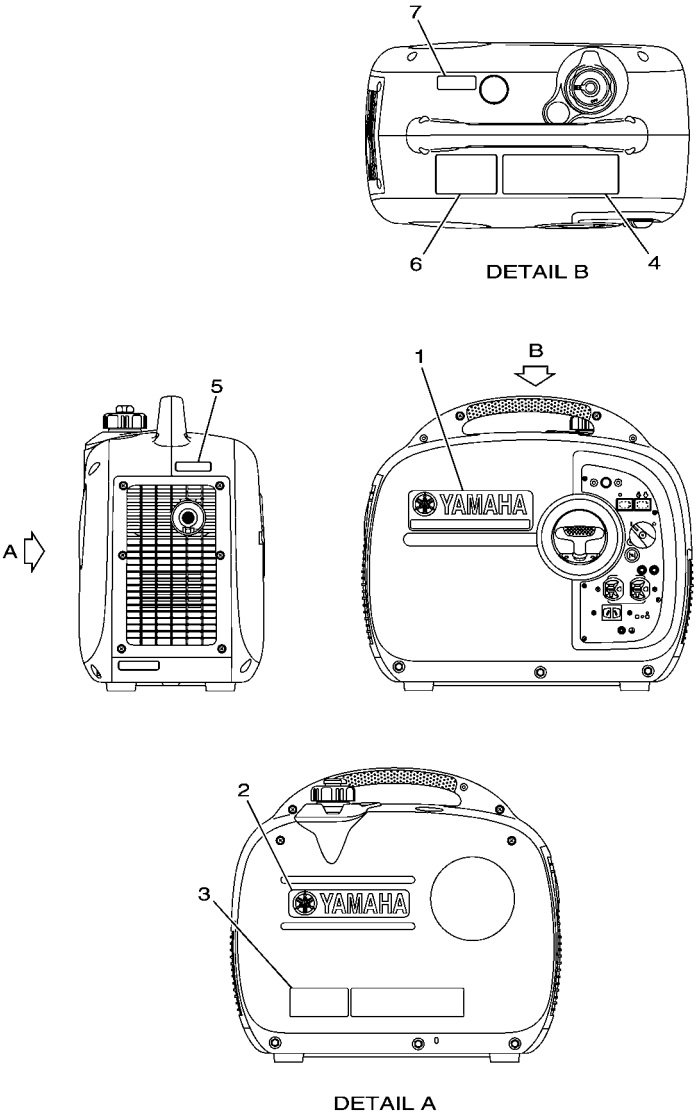


FIG. 14 CONTROL BOX

REF. NO.	PART NO.	DESCRIPTION	7DKE				REMARKS
28	95802-06010	BOLT, FLANGE	2				
29	7DK-228G0-00	COVER ASSY 7	1				
30	7DK-22896-00	.SEAL 13	1				
31	7DK-2289L-00	.SEAL 22	1				
32	90520-10003	.DAMPER, PLATE	1				
33	7CF-23119-00	PLUG, DRAIN	4				
34	95807-06010	BOLT, FLANGE	1				
35	90464-07002	CLAMP	1				
36	7DK-88189-10	WIRE, SUB LEAD	1				
37	90464-05002	CLAMP	1				
38	7LG-87209-00	CHARGE CORD ASSY	1				

FIG. 15 GRAPHIC & EMBLEM

REF. NO.	PART NO.	DESCRIPTION	7DKE					REMARKS
1	7DK-24161-10	EMBLEM 1 (YAMAHA EF2000IS)	1					
2	7DK-24161-30	EMBLEM 1 (YAMAHA)	1					
3	7DK-24164-10	EMBLEM 4 (OIL)	1					
4	7DK-24162-10	EMBLEM 2 (WARNING)	1					
5	7WL-28176-10	LABEL, CAUTION (HOT EXHAUST)	1					
6	7CG-24877-01	LABEL, CAUTION (DANGER)	1					
7	7DK-21696-10	LABEL, CAUTION (NOTICE)	1					



7DKE110-J150

NUMERICAL INDEX

PART NO.	REF. NO.	PART NO.	REF. NO.	PART NO.	REF. NO.	PART NO.	REF. NO.	PART NO.	REF. NO.	PART NO.	REF. NO.
2H0-14147-00	6 - 9	7DK-2289H-10	10 - 22	7DK-87201-01	14 - 1	7DX-E2691-00	7 - 26	7DX-H2310-01	12 - 7	90520-05010	9 - 35
7DK-14148-00	5 - 17	7DK-2289J-00	10 - 23	7LG-87209-00	14 - 38	7DX-E3556-00	5 - 3	7CN-H2370-00	12 - 12	90520-05800	4 - 4
7LG-14150-11	6 - 25	7DK-2289K-00	10 - 24	7DK-87221-90	14 - 5	7DX-E3556-10	5 - 4	7CP-H2372-00	12 - 13	90520-05801	4 - 7
7EG-14159-00	6 - 26	7DK-2289L-00	14 - 31	7DK-87226-10	14 - 21	7DX-E3593-00	5 - 2	7DX-H5521-10	12 - 2	90520-10003	14 - 32
7TD-14181-00	6 - 18	7DK-2289M-00	10 - 29	7DK-8722J-10	14 - 22	7DX-E3595-00	5 - 1	7DX-H5550-10	12 - 1	90520-10009	9 - 34
7G0-14184-00	6 - 14	7DK-228B0-10	9 - 27	7WL-8722Y-00	14 - 23	7DX-E4101-10	6 - 1	7DX-H5720-00	12 - 9		10 - 13
7EG-14185-00	6 - 17	7DK-228D0-10	10 - 19	7CF-87231-00	14 - 20	7CP-E4118-00	6 - 11	7DX-H5724-00	12 - 10	92902-06200	1 - 6
7E1-14191-00	6 - 22	7DK-228E0-00	10 - 27	7LG-87239-00	14 - 8	7CU-E4142-37-A0	6 - 10	90109-06269	13 - 5	92902-12600	12 - 5
73A-14212-00	6 - 21	7DK-228F0-10	10 - 36	7DK-87249-20	14 - 4	7CN-E4186-00	6 - 20	90109-06278	9 - 36	92907-05600	10 - 18
73A-14212-10	6 - 13	7DK-228G0-00	14 - 29	7DK-88189-10	14 - 36	7CU-E4211-00	6 - 12		10 - 15		10 - 26
7RH-14216-00	6 - 2	7CF-23119-00	14 - 33	7DK-8A210-A0	14 - 27	7DX-E4411-00	5 - 5	90119-06147	9 - 3		10 - 35
7G0-14227-00	6 - 15	7DK-23383-00	9 - 33	7DX-E1111-01	1 - 1	7DX-E4412-00	5 - 6	90149-06011	11 - 13		10 - 43
1HX-1423A-64-A0	6 - 19	7DK-24110-00	11 - 1	7DX-E111J-00	1 - 13	7DX-E4416-00	5 - 13	90153-05800	7 - 7		14 - 26
7DK-14293-00	6 - 27	7DK-24129-00	11 - 3	7DX-E1166-00	1 - 12	7DX-E4451-00	5 - 7	90154-06823	5 - 9	92990-05100	6 - 7
7RH-14486-00	6 - 3	7DK-2413X-00	11 - 14	7DX-E1179-00	1 - 3	7DX-E4452-00	7 - 11	90170-05806	3 - 12		6 - 24
78G-14496-00	6 - 16	7DK-24141-00	11 - 2	7DX-E1181-10	1 - 4	7DX-E4453-01	5 - 8	90173-06008	9 - 12	93102-20802	8 - 3
7DK-15720-00	4 - 20	7DK-24161-10	15 - 1	7DX-E1190-00	1 - 9	7DX-E4457-00	7 - 12	90179-12013	13 - 11		8 - 7
7DK-15755-00	4 - 19	7DK-24161-30	15 - 2	7DX-E1351-00	1 - 10	7DX-E4467-00	5 - 10	90183-05004	9 - 32	93210-15803	8 - 9
7DK-21696-10	15 - 7	7DK-24162-10	15 - 4	7DX-E1400-10	2 - 1	7CU-E4527-00	6 - 8		10 - 41	93306-204YY	8 - 2
7WL-21764-00	10 - 9	7DK-24164-10	15 - 3	7DX-E1561-00	2 - 8	7DX-E4613-00	7 - 24		11 - 15		8 - 6
7DK-22218-00	9 - 10	7CG-24167-00	11 - 5	7CY-E1610-00	2 - 5	7DX-E471C-00	7 - 8	90183-05061	9 - 6	93450-13819	2 - 7
7DK-22275-00	9 - 9	7DK-24181-00	11 - 16	7CY-E1610-10	2 - 5	7DX-E4721-10	7 - 2		9 - 24	94702-00821	1 - 8
7DK-2281K-00	10 - 30	7DK-24191-00	9 - 14	7CY-E1610-20	2 - 5	7DX-E472C-00	7 - 17		10 - 5	95302-06600	7 - 23
7DK-2281L-00	10 - 31	7DK-2419A-00	10 - 6	7DX-E1631-00-A0	2 - 4	7DX-E4786-00	7 - 3	90183-06808	5 - 14	95302-12700	12 - 4
7DK-2281M-00	10 - 32	4SV-24453-00	6 - 5	7DX-E1633-00	2 - 6	7CA-E4788-00	7 - 5	90201-11597	9 - 21	95380-05700	14 - 19
7DK-2281N-00	10 - 33	7CF-24500-00	11 - 7	7DX-E1635-00	2 - 4	7CA-E4799-00	7 - 4	90202-05193	11 - 12	95602-06615	1 - 2
7DK-2282E-00	9 - 25	7CF-24512-00	11 - 8	7DX-E1636-00	2 - 4	7CA-E479E-00	7 - 6	90280-03045	12 - 6	95702-04500	14 - 7
	10 - 8	3AC-24523-00	11 - 11	7DX-E1650-00	2 - 2	7DX-E5111-00	8 - 1	90338-40210	13 - 8	95702-05500	14 - 18
7DK-22855-00	10 - 7	7DK-24524-00	11 - 17	7DX-E1654-00	2 - 3	7DX-E5363-00	8 - 8	90387-063K3	9 - 4	95702-06500	5 - 12
7DK-22865-00	9 - 22	3AJ-24534-01	11 - 10	7DX-E2111-00	3 - 3	7DX-E5411-00	8 - 5	90387-088V6	7 - 22		9 - 5
7DK-22866-00	10 - 1	7DK-24610-10	11 - 4	7DX-E2117-00	3 - 7	7DX-E5451-00	8 - 10	90464-05002	14 - 37		9 - 8
7DK-2286A-00	10 - 40	7CG-24877-01	15 - 6	7DX-E2118-00	3 - 8	7DX-E5494-00	7 - 13	90464-07002	14 - 35	95802-06010	9 - 15
7DK-22873-00	9 - 23	7DK-26331-00	9 - 20	7DX-E2119-01	3 - 14	7DX-E5495-00	7 - 14	90464-16805	12 - 14		10 - 16
7DK-22874-10	9 - 28	7DK-28100-00	9 - 37	7DX-E2121-00	3 - 4		7 - 19	90465-13M11	14 - 3		14 - 28
7DK-22875-10	9 - 29	7WL-28176-10	15 - 5	7DX-E2151-00	3 - 9	7DX-E5496-00	7 - 15	90467-09037	11 - 19	95802-06012	13 - 4
7DK-22876-00	10 - 2	7DK-81802-09	6 - 4	7DX-E2153-00	3 - 5	7DX-E549D-00	7 - 16	90467-09804	5 - 16	95802-06016	4 - 2
7DK-22877-10	10 - 20	7VV-82181-00	14 - 10	7DX-E2154-00	3 - 13	7DX-E5710-00	4 - 8	90480-01558	9 - 17		4 - 18
7DK-22878-10	10 - 21	7XX-82550-00	14 - 16	7DX-E2156-00	3 - 10	7DX-E5711-00	4 - 9	90480-01559	10 - 11	95802-06020	5 - 11
7DK-22879-00	10 - 28	7CG-82550-C0	14 - 15	7CT-E2159-00	3 - 11	7CN-E5713-00	4 - 12	90480-12237	7 - 21		12 - 8
7DK-22881-00	9 - 1	7CH-83530-C0	14 - 12	7DX-E2180-11	3 - 1	7DX-E5714-00	4 - 10	90480-13012	14 - 13	95802-06030	13 - 9
7DK-22885-10	10 - 37	7CH-83582-C1	14 - 14	7DX-E2287-00	3 - 2	7CN-E5715-00	4 - 13	90480-13398	10 - 10	95807-06010	14 - 34
7DK-22886-00	10 - 3	7DK-85542-00	13 - 12	7DX-E261D-00	4 - 5	7DX-E5716-00	4 - 14	90480-13567	9 - 16	95812-06012	9 - 13
7DK-22888-00	10 - 38	7F7-85710-02	11 - 6	7DX-E2621-00	4 - 1	7DX-E5734-00	4 - 17	90501-20800	3 - 6	95822-06012	12 - 11
7DK-22889-00	10 - 39	7VU-87105-00	9 - 18	7CP-E262J-00	4 - 6	7CN-E5741-01	4 - 11	90520-03006	9 - 11	95822-06014	7 - 25
7DK-22891-00	9 - 7	7DK-87150-E0	13 - 1	7DX-E2651-00	4 - 3	7DX-E5751-00	4 - 15	90520-04003	10 - 4	95822-06016	1 - 11
7DK-22895-00	9 - 2	7DK-87160-00	13 - 2	7DX-E2684-00	7 - 9	7DX-E5755-00	4 - 16	90520-04004	10 - 14		7 - 20
7DK-22896-00	14 - 30	7DK-87172-00	13 - 3	7DX-E2685-00	7 - 18	7DX-F4311-00	5 - 15	90520-05004	9 - 30	95822-06020	8 - 11
7DK-2289F-00	10 - 12	7DK-87174-02	13 - 7	7DX-E2686-00	7 - 10	7DX-F5153-00	3 - 15	90520-05005	9 - 26		12 - 3

NUMERICAL INDEX

PART NO.	REF. NO.	PART NO.	REF. NO.	PART NO.	REF. NO.	PART NO.	REF. NO.	PART NO.	REF. NO.
95822-06050	1 - 5								
97080-05016	14 - 17								
97702-50014	7 - 1								
97702-50016	9 - 31								
	14 - 2								
97707-40516	14 - 24								
98502-03008	11 - 9								
98502-05014	9 - 19								
98507-03008	14 - 11								
98507-04008	14 - 9								
98507-04012	14 - 6								
98507-05008	6 - 6								
	6 - 23								
98507-05012	10 - 17								
	10 - 25								
	10 - 34								
	10 - 42								
	14 - 25								
98707-04020	11 - 18								
99530-08012	1 - 7								
	8 - 4								
	13 - 6								
	13 - 10								