



PARTS CATALOGUE

EDL11000E (Q9CD) OTH, CHN
EDL11000DE (Q9CD) CSA



1F9CD-600E1

()

2010-7-21

NEWS NO.	DATE	COMMENT
PE0-GE-080003	JAN.,5,2009	EDL11000E/DE(Q9CD) PARTS CATALOGUE CORRECTIONS
PE0-GE-090003	SEP.,2,2009	EDL11000E/DE(Q9CD) PARTS CATALOGUE CORRECTIONS
PE0-GE-100009	JUL.,21,2010	EDL11000E/DE(Q9CD) PARTS CATALOGUE CORRECTIONS

EDL11000E/DE
PARTS CATALOGUE
©2007 by Yamaha Motor Co., Ltd.
1st edition, February 2007
All rights reserved.
Any reprinting or unauthorized use
without the written permission of
Yamaha Motor Co., Ltd.
is expressly prohibited.
Printed in Japan.

FOREWORD

This Parts Catalogue is related to the parts for the model(s) on the cover page. When you are ordering replacement parts, please refer to this Parts Catalogue and quote both part numbers and part names correctly.

1. Modifications or additions which have been made after the issue of the Parts Catalogue will be announced in the Parts News.

It is advisable that you make the necessary corrections to the Parts Catalogue according to the Parts News.

2. Abbreviations

The following abbreviations are used in this Parts Catalogue.

“UR” Use specified parts number.

“UN” Use as many as needed.

“AP” Alternate Parts

“LM” Locally Made (Parts need to be ordered locally)

“F#” Frame No. (Applicable machine No.)

“O/S” Over Size

3. The number of components for assembly

- Parts, which are to be supplied in an assembly, are listed with a dot (.) in front of the part name as shown below.
- The numeral appearing to the right of each component part indicates the quantity of parts for each assembly unit.

PART NO.	DESCRIPTION	Q'TY	REMARKS
2F5-83310-60	FRONT FLASHER LIGHT ASSY	2	
115-83311-60	.BULB (6V-18W)	1	

4. Applicable colours of graphics are represented in the “REMARKS” as shown below.

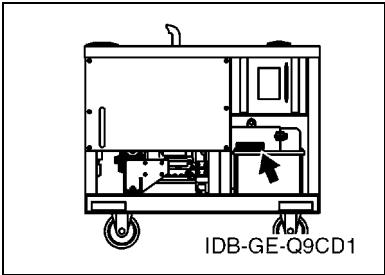
PART NO.	DESCRIPTION	Q'TY	REMARKS
2N4-24110-00-X5	FUEL TANK COMP.	2	MXR
3J1-24240-10	.GRAPHIC, FUEL TANK	1	FOR MXR

5. Note that the illustrations for reference in finding parts numbers are not to be used for assembling. When assembling, please use the applicable service manual.

6. The asterisk (*) before a reference number indicates modified items after the first edition.

FOREWORD

7. Applicable Serial No.
 Frame Serial No.



8. Applicable Colour Code (The (*) mark shows Model colour.)

Abbreviation	Colour Name	Colour Code

9. Applicable Starting Serial No.
 *****Serial NO.

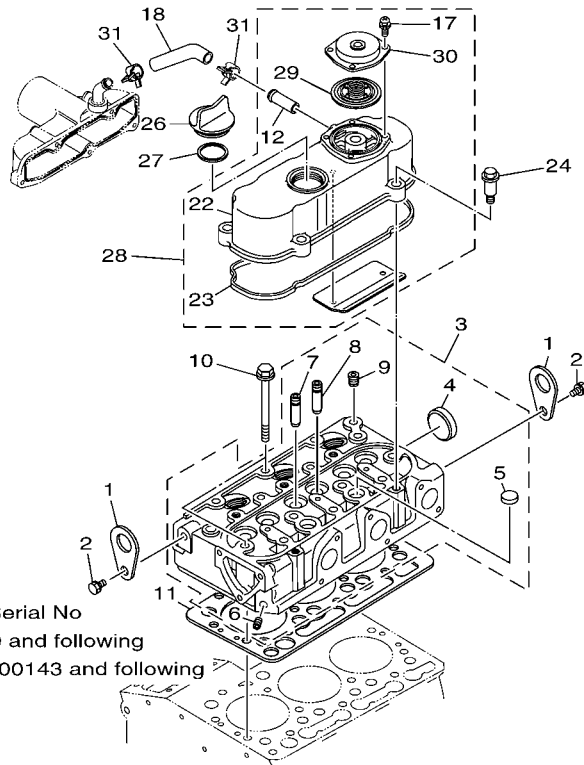
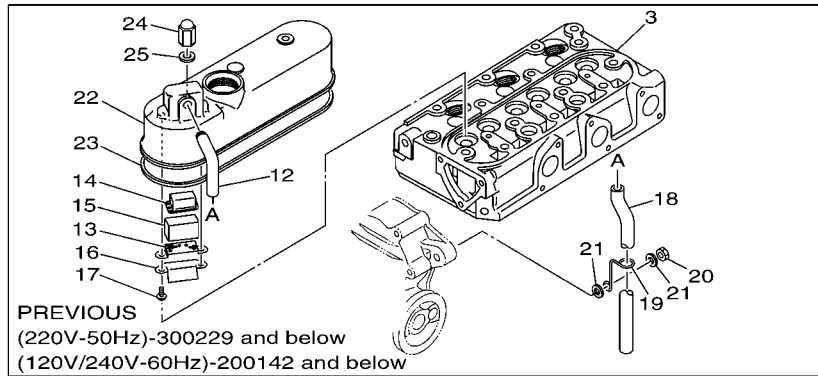
Model	Model Code	Destination	Voltage	Serial NO.
EDL11000E	Q9CD	OTH,CHN	220V-50Hz	Q9CD-300101
EDL11000DE	Q9CD	CSA	120V/240V-60Hz	Q9CD-200101

CONTENTS

CYLINDER HEAD	1
CYLINDER BLOCK	3
PISTON & CRANKSHAFT	4
VALVE SYSTEM	6
GOVERNOR	8
TIMING GEAR CASE	9
LUBRICATION 1	11
COOLING SYSTEM	12
RADIATOR & HOSE	13
RESERVE TANK	14
INJECTION PUMP	15
INJECTION NOZZLE	17
FUEL SYSTEM 2	20
AIR CLEANER	21
INTAKE	22
EXHAUST 1	23
CONTROL UNIT	24
GENERATOR	26
STARTING MOTOR	28
ELECTRICAL	30
ALTERNATE 1	31
GENERATOR 1	33
ENGINE MOUNT	34
FRAME	35
COVER	36
PANEL & COVER	37
FUEL TANK	38
FRAME 2	39
FRAME 3	40
LABEL	41
ELECTRICAL 2	42
ELECTRICAL 3	44
ELECTRICAL 4	45

INDEX

NUMERICAL INDEX	46
-----------------------	----



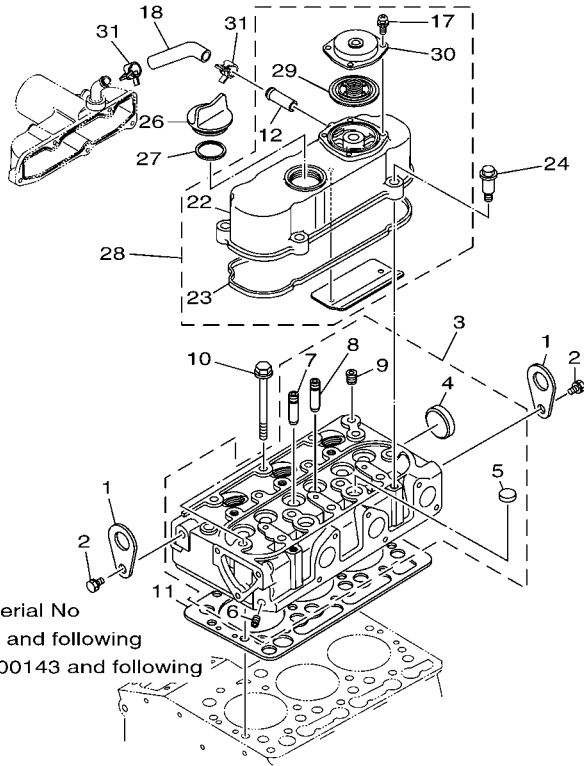
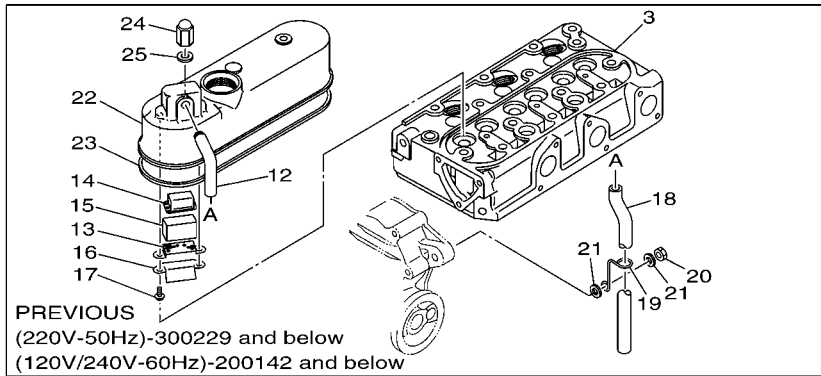
CURRENT
 *Applicable Engine Serial No
 (220V-50Hz)-300230 and following
 (120V/240V-60Hz)-200143 and following



Q9CD600-F011

FIG. 1 CYLINDER HEAD

REF. NO.	PART NO.	DESCRIPTION	Q9CD			REMARKS
1	YF1-52210-17-50	HOOK,ENGINE	2			
2	YF0-11235-08-16	BOLT	2			
3	YF1-68730-30-42	CYLINDER HEAD COMP.	1			PREVIOUS
	YF1-68730-30-48	CYLINDER HEAD COMP.	1			CURRENT
4	YF1-53219-62-60	.PLUG,EXPANSION	1			
5	YF1-52610-33-70	.PLUG,EXPANSION	2			
6	YF1-52619-60-10	.PLUG	1			
7	YF1-58411-35-40	.GUIDE,INLET VALVE	3			
8	YF1-58411-35-60	.GUIDE,EXHAUST VALVE	3			
9	YF1-58419-60-20	.PLUG	1			
10	YF1-46010-34-50	BOLT,HEAD	14			
11	YF1-68710-33-12	HEAD GASKET	1			
12	YF1-58810-55-50	FLANGE,BREATHER PIPE	1			PREVIOUS
	YF1-62417-33-71	.PIPE,WATER RETURN	1			CURRENT
13	YF1-58410-51-40	ELEMENT PLATE,BREATHER 1	1			PREVIOUS
14	YF1-58410-51-50	ELEMENT PLATE,BREATHER 2	1			PREVIOUS
15	YF1-58410-56-70	ELEMENT,BREATHER	1			PREVIOUS
16	YF1-58410-53-70	OIL SEAL,ELEMENT	1			PREVIOUS
17	YF1-68619-33-10	SCREW,PANHEAD TAPPING	2			PREVIOUS
	YF0-30245-05-10	.SCREW,WITH WASHER	4			CURRENT
18	YF1-58410-55-10	PIPE,BREATHER	1			PREVIOUS
	YF1-G9580-55-12	TUBE,BREATHER	1			CURRENT
19	YF1-58810-55-90	CLAMP,PIPE	1			PREVIOUS
20	YF0-21145-00-80	NUT	1			PREVIOUS
21	YF0-40136-00-80	WASHER,PLATE	2			PREVIOUS
22	YF1-68611-45-13	COVER,HEAD	1			PREVIOUS
	YF1-G9581-45-12	.COVER,HEAD	1			CURRENT




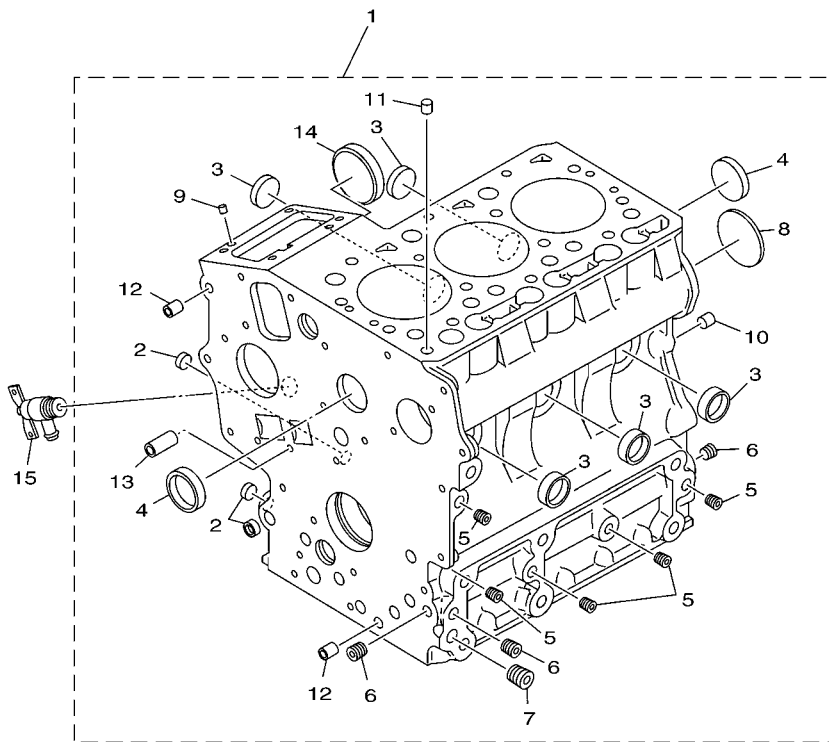
CURRENT
 *Applicable Engine Serial No
 (220V-50Hz)-300230 and following
 (120V/240V-60Hz)-200143 and following

 Q9CD600-F011

FIG. 1 CYLINDER HEAD

REF. NO.	PART NO.	DESCRIPTION	Q9CD				REMARKS
23	YF1-68711-45-21	PACKING,HEAD COVER	1				PREVIOUS
	YF1-G9581-45-21	.GASKET,HEAD COVER	1				CURRENT
24	YF1-58411-46-20	NUT,CROWN	3				PREVIOUS
	YF1-G9119-10-22	BOLT	4				CURRENT
25	YF1-56019-66-50	PACKING	3				PREVIOUS
26	YF1-58523-31-40	PLUG,OIL FILLER	1				UR
	YFE-91513-31-40	PLUG(FUEL FEED)	1				UR
27	YF0-48145-03	O-RING	1				
28	YF1-G9581-45-04	HEAD COVER ASSY	1				CURRENT
29	YF1-G9110-52-03	.BREATHER VALVE COMP.	1				CURRENT
30	YF1-G8010-51-21	.COVER,BREATHER	1				CURRENT
31	YF0-93188-81-25	CLAMP,HOSE	2				CURRENT

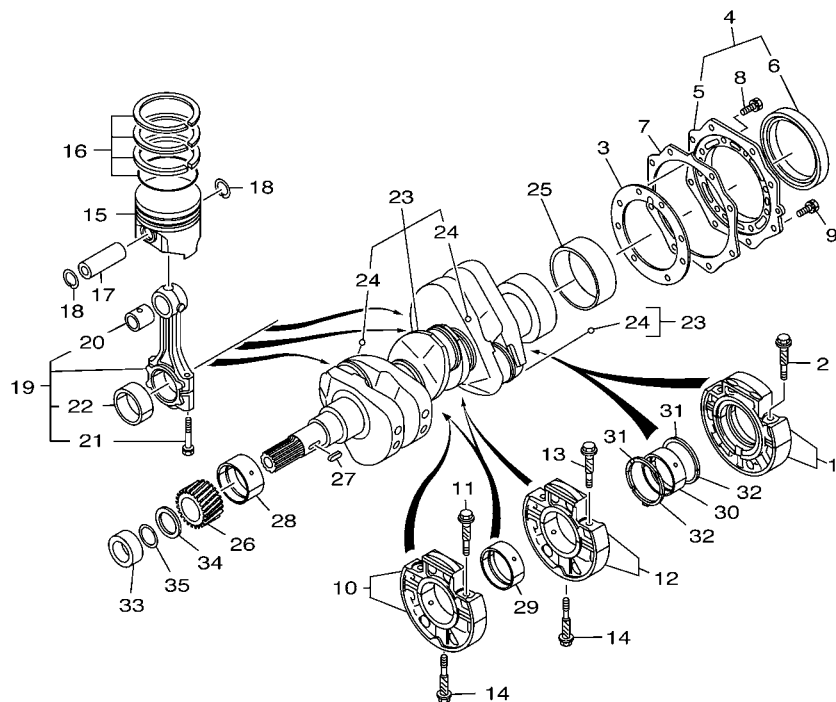
FIG. 2 CYLINDER BLOCK



REF. NO.	PART NO.	DESCRIPTION	Q9CD				REMARKS
1	YF1-68730-10-10	CRANKCASE COMP.	1				
2	YF1-68519-62-60	.PLUG,EXPANSION 1	3				
3	YF1-68519-62-70	.PLUG,EXPANSION 2	5				
4	YF1-54519-62-70	.PLUG,EXPANSION	2				
5	YF1-52619-60-10	.PLUG	5				
6	YF1-55219-60-20	.PLUG	3				
7	YF1-55219-60-30	.PLUG	1				
8	YF1-52619-61-60	.PLUG	1				
9	YF0-50120-05-08	.PIN	2				
10	YF0-50120-08-14	.PIN	2				
11	YF1-52213-36-50	.PIN,PIPE	1				
12	YF1-52313-39-60	.PIN,PIPE	2				
13	YF1-73315-91-90	.PIN,PIPE	2				
14	YF1-68511-62-12	.COVER,FUEL CAM SHAFT	1				
15	YF1-58417-30-20	DRAIN COCK ASSY	1				



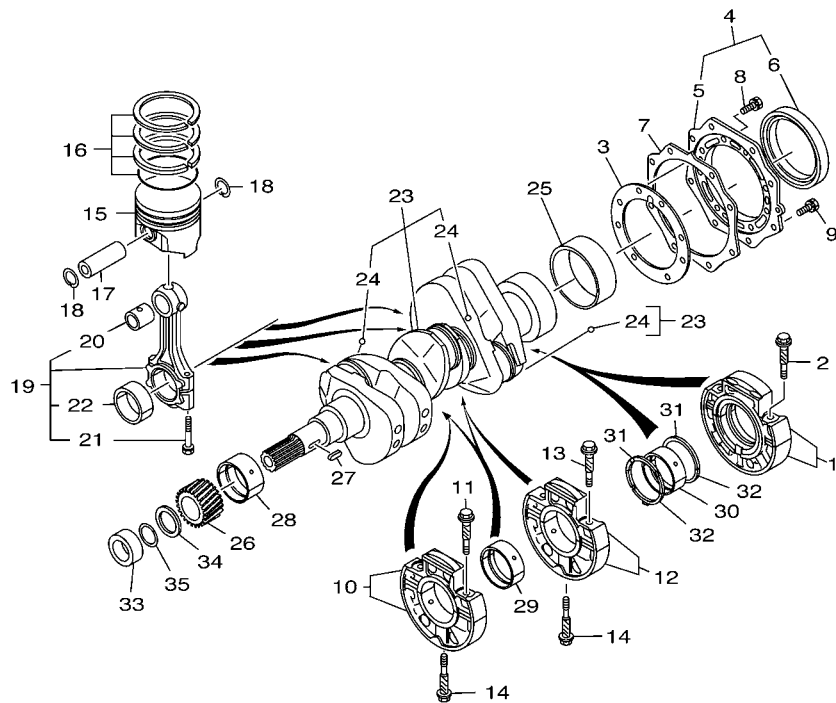
Q9CD600-F020



7VG7600-9030

FIG. 3 PISTON & CRANKSHAFT

REF. NO.	PART NO.	DESCRIPTION	Q9CD			REMARKS
1	YF1-68510-40-92	BEARING CASE ASSY	1			
2	YF1-58410-45-40	BOLT,BEARING CASE 1	2			
3	YF1-58520-43-60	PACKING,BEARING CASE	1			
4	YF1-58410-48-03	BEARING COVER ASSY	1			
5	YF1-58410-48-10	.COVER,BEARING CASE	1			
6	YF1-92159-91-60	.OIL SEAL	1			
7	YF1-58410-48-22	GASKET	1			
8	YF0-10235-06-20	BOLT	8			
9	YF0-10235-06-22	BOLT	8			
10	YF1-68510-40-40	MAIN BEARING CASE ASSY	1			
11	YF1-58410-45-40	BOLT,BEARING CASE 1	2			
12	YF1-68610-40-50	MAIN BEARING CASE ASSY	1			
13	YF1-58410-45-40	BOLT,BEARING CASE 1	2			
14	YF1-58410-45-62	BOLT,BEARING CASE 2	2			
15	YF1-68512-11-12	PISTON	3			
	YF1-68512-19	PISTON(0.25MM)	3			AP
16	YF1-68532-10-50	PISTON RING ASSY	3			
	YF1-68532-10-90	PISTON RING ASSY(0.25MM)	3			AP
17	YF1-68712-13-10	PIN,PISTON	3			
18	YF1-52612-13-30	CIRCLIP,PISTON PIN	6			
19	YF1-68512-20-10	CONNECTING ROD ASSY	3			
20	YF1-68512-19-80	.BUSING,PISTON PIN 03	3			
21	YF1-68512-21-40	.BOLT,CONNECTING ROD	6			
22	YF1-68512-23-20	.CRANK METAL(STD/SET)	3			
	YF1-58612-29-70	.METAL,CRANK PIN(-0.20MM/SET)	3			AP
	YF1-58612-29-80	.METAL,CRANK PIN(-0.40MM/SET)	3			AP
23	YF1-68612-30-10	CRANK SHAFT COMP.	1			



7VG7600-9030

FIG. 3 PISTON & CRANKSHAFT

REF. NO.	PART NO.	DESCRIPTION	Q9CD				REMARKS
24	YF0-77150-32-07	.BALL	3				
25	YF1-92152-32-80	SLEEVE,CRANK SHAFT	1				
26	YF1-58412-41-10	GEAR,CRANK	1				
27	YF0-57120-05-15	KEY	1				
28	YF1-58612-34-70	METAL,CRANKSHAFT(STD/SET)	1				
	YF1-58612-39-10	METAL,CRANKSHAFT(-0.20MM/SET)	1				AP
	YF1-58612-39-20	METAL,CRANKSHAFT(-0.40MM/SET)	1				AP
29	YF1-68612-34-90	METAL,CRANKSHAFT(STD/SET)	2				
	YF1-58612-38-60	METAL,CRANKSHAFT(-0.20MM/SET)	2				AP
	YF1-58612-38-70	METAL,CRANKSHAFT(-0.40MM/SET)	2				AP
30	YF1-68612-34-80	METAL,CRANKSHAFT(STD/SET)	1				
	YF1-56942-39-30	METAL,CRANKSHAFT(-0.20MM/SET)	1				AP
	YF1-56942-39-40	METAL,CRANKSHAFT(-0.40MM/SET)	1				AP
31	YF1-52612-35-30	SIDE METAL 1(STD)	2				
	YF1-52612-39-50	SIDE METAL 1(+0.20MM)	2				AP
	YF1-52612-39-60	SIDE METAL 1(+0.40MM)	2				AP
32	YF1-52612-35-40	SIDE METAL	2				
	YF1-52612-39-70	SIDE METAL 2(+0.20MM)	2				AP
	YF1-52612-39-80	SIDE METAL 2(+0.40MM)	2				AP
33	YF1-58412-32-50	COLLAR,CRANKSHAFT	1				
34	YF1-58812-33-10	OIL SLINGER,CRANKSAFT	1				
35	YF0-48141-62-20	O-RING	1				

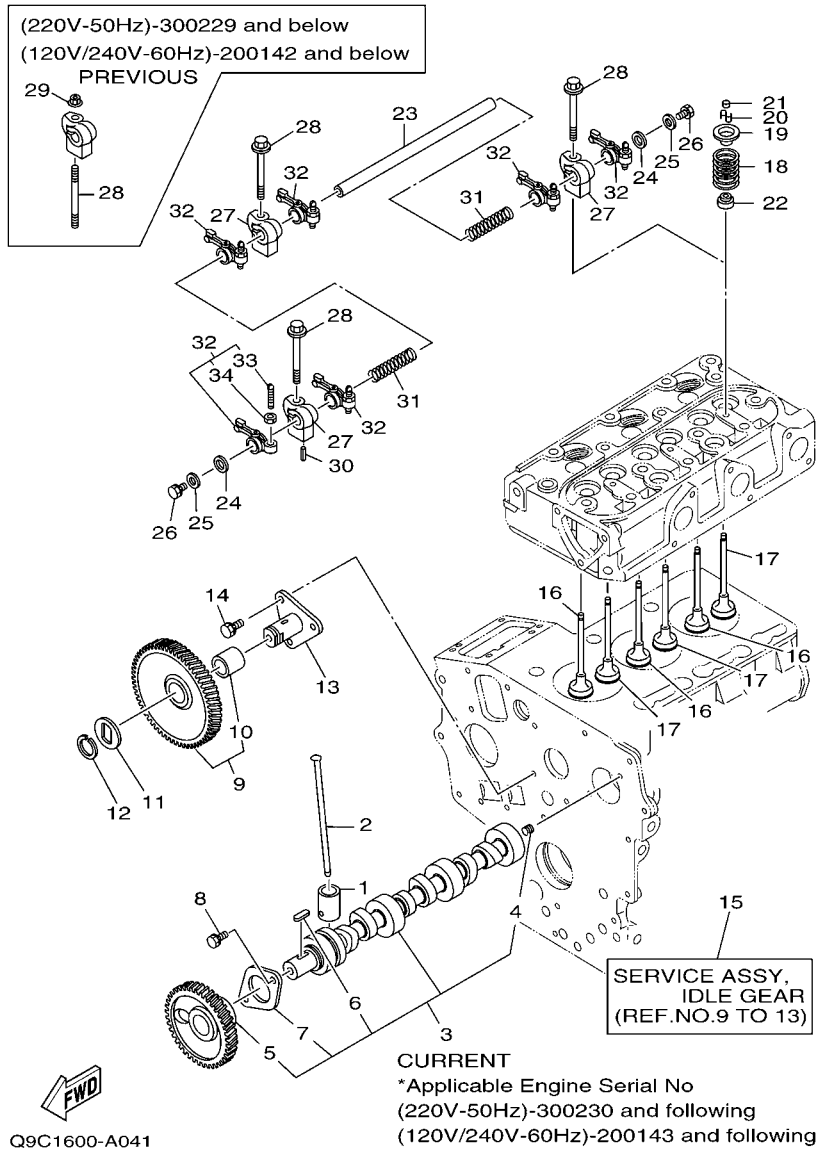
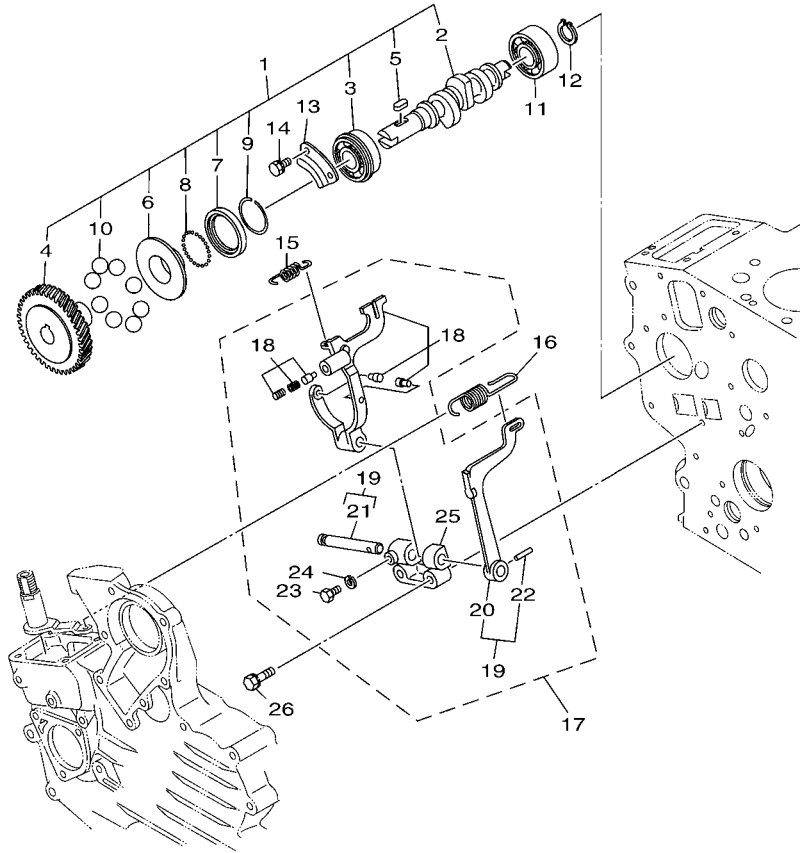


FIG. 4 VALVE SYSTEM

REF. NO.	PART NO.	DESCRIPTION	Q9CD				REMARKS
1	YF1-68511-55-50	TAPPET	6				
2	YF1-68511-51-10	PUSH ROD	6				
3	YF1-68641-60-10	CAM SHAFT ASSY	1				
4	YF0-77150-04-01	.BALL	1				
5	YF1-68641-65-10	.GEAR,CAM	1				
6	YF0-57120-05-18	.KEY	1				
7	YF1-58411-62-70	.STOPPER,CAM SHAFT	1				
8	YF0-10235-06-12	BOLT	2				
9	YF1-58752-40-13	IDLE GEAR COMP.	1				
10	YF1-58752-42-82	.BUSHING	1				
11	YF1-58752-43-70	COLLAR,IDLE GEAR 2	1				
12	YF1-58752-43-20	RING SET,IDLE GEAR	1				
13	YF1-58752-42-50	SHAFT,IDLE GEAR	1				
14	YF0-10235-06-14	BOLT	3				
15	YF1-58759-93-40	SERVICE ASSY,IDLE GEAR	1				
16	YF1-G6861-31-11	VALVE,INLET	3				
17	YF1-G6861-21-21	VALVE,EXHAUST	3				
18	YF1-46011-32-40	SPRING,VALVE	6				
19	YF1-46011-33-30	RETAINER VALVE SPRING	6				
20	YF1-46011-33-60	LOCK,VALVE	6				
21	YF1-68511-32-80	CAP,VALVE	6				
22	YF1-14201-31-50	SEAL,VALVE STEM	6				
23	YF1-58611-42-63	SHAFT ROCKER ARM	1				
24	YF1-68711-44-30	WASHER,ROCKER ARM SHAFT	2				
25	YF1-58419-40-22	WASHER,PLATE	2				
26	YF0-10235-06-10	BOLT	2				
27	YF1-G9581-43-52	BRACKET,ROCKERARM	3				

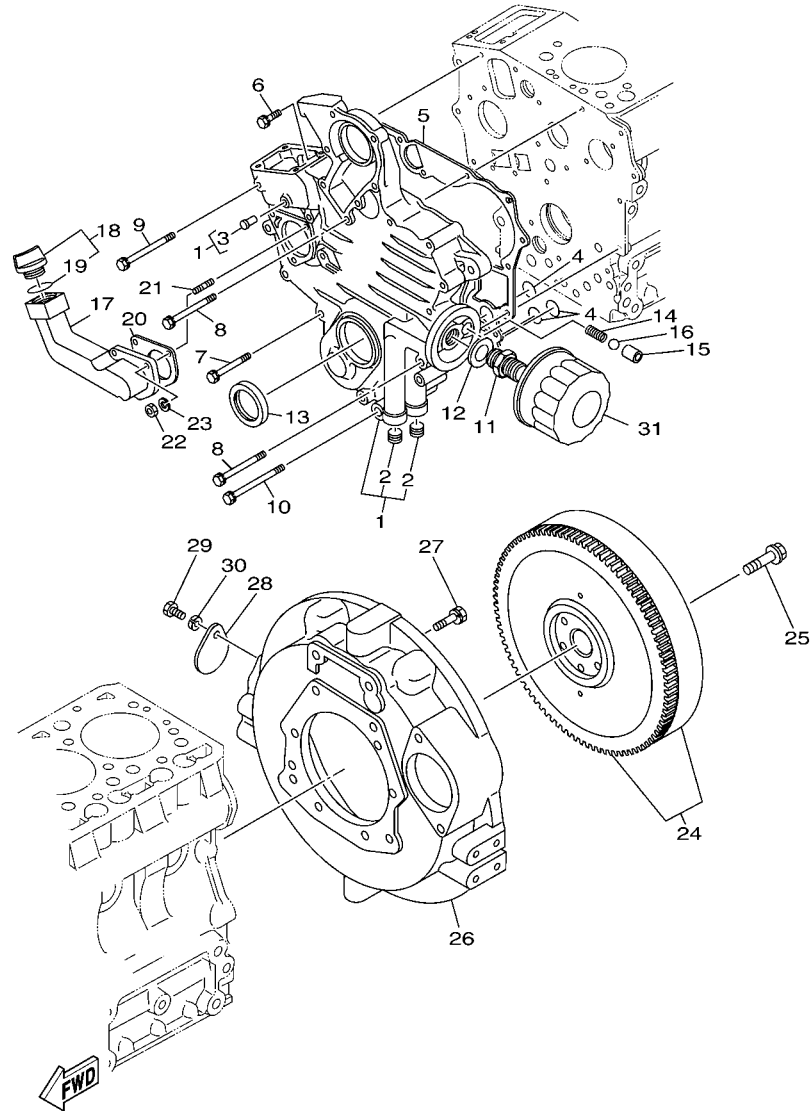



Q9CD600-F050

CURRENT
*Applicable Engine Serial No
(220V-50Hz)-300230 and following
(120V/240V-60Hz)-200143 and following

FIG. 5 GOVERNOR

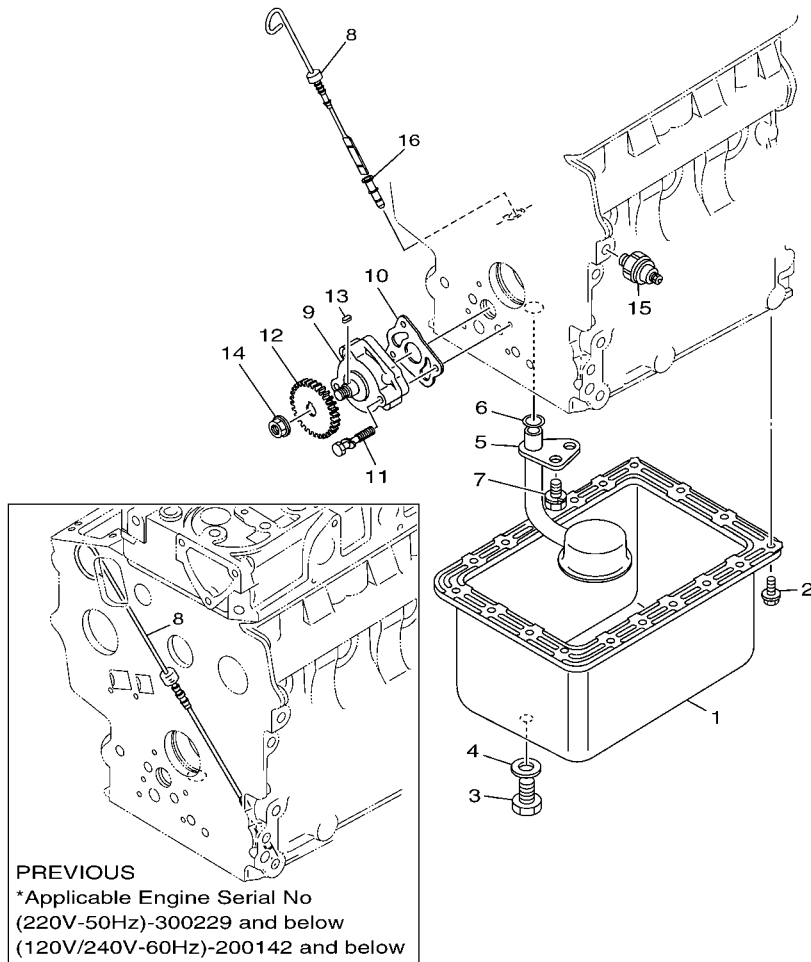
REF. NO.	PART NO.	DESCRIPTION	Q9CD			REMARKS
1	YF1-68611-60-20	FUEL CAM SHAFT ASSY	1			
2	YF1-58751-61-70	.FUEL CAM SHAFT	1			
3	YF0-81530-62-03	.BEARING,BALL	1			
4	YF1-68515-11-50	.GEAR,INJECTION PUMP	1			
5	YF0-57120-05-15	.KEY	1			
6	YF1-58415-54-50	.SLÈEVE,GOVERNOR	1			
7	YF1-58415-56-90	.CASE,GOVERNOR BALL	1			
8	YF0-77150-08-01	.BALL	32			
9	YF1-52615-54-70	.CIRCLIP	1			
10	YF0-77150-32-17	.BALL,STEEL	8			
11	YF1-68719-73-01	BEARING,BALL	1			
12	YF0-46120-01-70	CIRCLIP	1			
13	YF1-58411-63-20	STOPPER,FUEL CAM SHAFT	1			
14	YF0-10235-06-12	BOLT	2			
15	YF1-58415-64-80	SPRING,START	1			
16	YF1-94615-64-10	SPRING,GOVERNOR	1			
17	YF1-60005-60-50	LEVER ASSY,FORK	1			PREVIOUS
	YF1-74725-60-54	LEVER ASSY,FORK	1			CURRENT
18	YF1-60005-60-40	.LEVER COMP. 1 FORK	1			
19	YF1-58415-60-60	.FORK LEVER 2 ASSY	1			
20	YF1-58415-61-30	..FORK LEVER 2	1			
21	YF1-58415-61-50	..SUPPORT,FORK LEVER	1			
22	YF0-54110-03-18	..PIN,SPRING	1			
23	YF1-52616-64-10	.BOLT	1			
24	YF0-45126-00-50	.WASHER,SPRING	1			
25	YF1-58415-62-30	.HOLDER,FORK LEVER	1			
26	YF0-10235-06-35	BOLT	2			



Q9C1600-A060

FIG. 6 TIMING GEAR CASE

REF. NO.	PART NO.	DESCRIPTION	Q9CD				REMARKS
1	YF1-E0510-40-23	GEAR CASE COMP	1				
2	YF1-55219-60-33	.PLUG	2				
3	YF1-58415-62-80	.PIN,START SPRING	1				
4	YF0-48140-61-30	O-RING	3				
5	YF1-58620-41-32	PACKING	1				
6	YF0-10235-06-18	BOLT	1				
7	YF0-10236-06-50	BOLT,WITH WASHER	8				
8	YF1-58419-10-10	BOLT	5				
9	YF0-10236-06-70	BOLT	1				
10	YF0-10235-06-75	BOLT	1				
11	YF1-52413-22-90	NIPPLE	1				
12	YF1-58419-40-10	WASHER,PLATE	1				
13	YF1-58770-41-40	OIL SEAL	1				
14	YF1-68513-69-50	SPRING	1				
15	YF1-58413-69-30	SEAT,VALVE	1				
16	YF0-77150-32-11	BALL	1				
17	YF1-58463-31-10	FLANGE,OIL FEED	1				
18	YF1-38113-30-80	FUEL FEED PLUG ASSY.	1				
19	YF0-48170-62-30	.O-RING	1				
20	YF1-94618-81-32	PACKING	1				
21	YF1-52218-82-10	STUD	3				
22	YF0-20565-00-60	NUT	3				
23	YF0-45126-00-60	WASHER,SPRING	3				
24	YF1-58782-50-10	FLYWHEEL COMP.	1				
25	YF1-55332-51-62	BOLT,FLYWHEEL	5				
26	YF1-58780-46-16	HOUSING,FLYWHEEL	1				
27	YF0-11235-08-22	BOLT	10				



CURRENT
 *Applicable Engine Serial No
 (220V-50Hz)-300230 and following
 (120V/240V-60Hz)-200143 and following

FIG. 7 LUBRICATION 1

REF. NO.	PART NO.	DESCRIPTION	Q9CD				REMARKS
1	YF1-68630-15	OIL PAN COMP.	1				
2	YF1-62219-11-22	BOLT	18				
3	YF1-57073-37-50	PLUG,DRAIN	1				
4	YF1-62629-66-71	PACKING	1				
5	YF1-68513-21-10	OIL FILTER 1	1				
6	YF0-48140-01-60	O-RING	1				
7	YF0-11236-08-14	BOLT	1				
8	YF1-68533-64-10	GAUGE,OIL	1				PREVIOUS
	YF1-K1793-64-12	GAUGE,OIL	1				CURRENT
9	YF1-68513-50-12	OIL PUMP ASSY	1				
10	YF1-68513-51-52	PACKING	1				
11	YF1-58419-10-50	BOLT	3				
12	YF1-58413-56-60	DRIVE GEAR,OIL PUMP	1				
13	YF0-57120-04-08	KEY	1				
14	YF0-27835-01	NUT,FLANGE	1				
15	YF1-58413-90-10	OIL SWITCH	1				
16	YF1-74563-64-22	GUIDE,OIL GAUGE	1				CURRENT

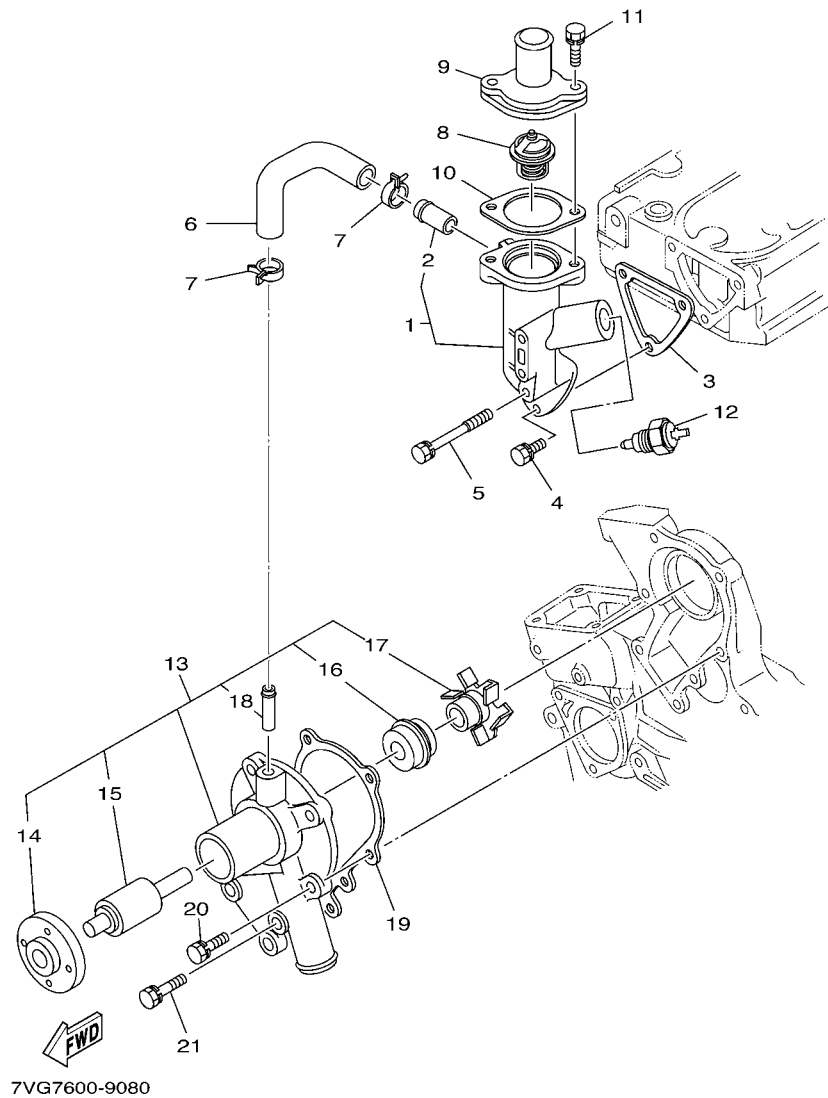
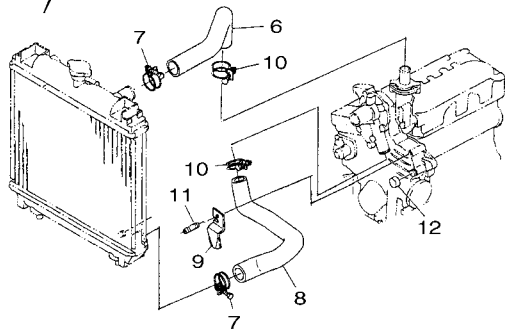
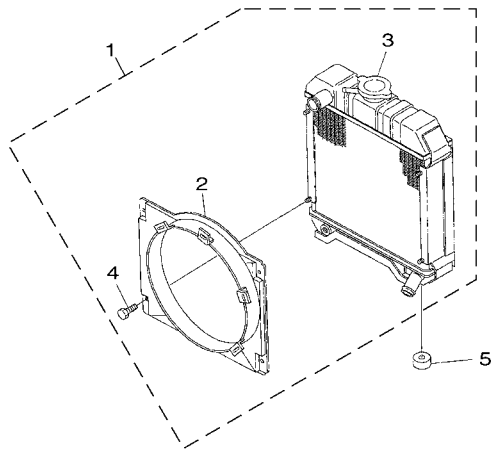


FIG. 8 COOLING SYSTEM

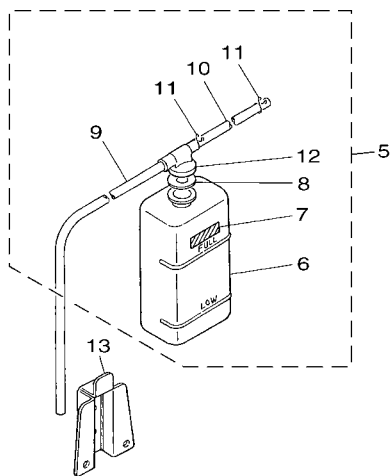
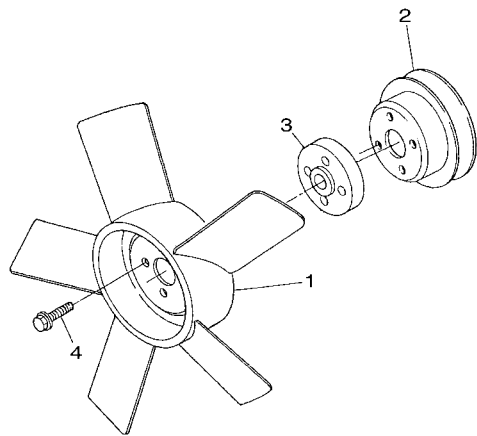
REF. NO.	PART NO.	DESCRIPTION	Q9CD				REMARKS
1	YF1-68757-27-04	WATER FLANGE COMP	1				
2	YF1-62417-33-70	.PIPE,WATER RETURN	1				
3	YF1-58417-29-22	PACKING	1				
4	YF0-10235-06-16	BOLT	2				
5	YF0-10236-06-50	BOLT,WITH WASHER	1				
6	YF1-68517-33-50	PIPE WATER RETURN 2	1				
7	YF1-62417-33-60	CLIP,PIPE	2				
8	YF1-92037-30-10	THERMOSTAT ASSY	1				
9	YF1-58417-32-60	COVER,THERMOSTAT	1				
10	YF1-68517-32-70	PACKING,THERMOSTAT COVER	1				
11	YF0-10235-06-22	BOLT	2				
12	YF1-75388-30-40	SWITCH,THERMOSTAT	1				
13	YF1-E0517-30-32	WATER PUMP ASSY	1				
14	YF1-58527-35-20	.FLANGE,WATER PUMP	1				
15	YF1-58527-35-50	.BEARING	1				
16	YF1-54817-30-50	.MECHANICAL SEAL ASSY	1				
17	YF1-E0517-35-12	.IMPELLER,WATER PUMP	1				
18	YF1-58527-33-40	.PIPE,WATER RETURN 1	1				
19	YF1-58817-34-32	PACKING,WATER PUMP	1				
20	YF0-10235-06-22	BOLT	4				
21	YF0-10235-06-38	BOLT,WITH WASHER	1				



Q9CD600-F090

FIG. 9 RADIATOR & HOSE

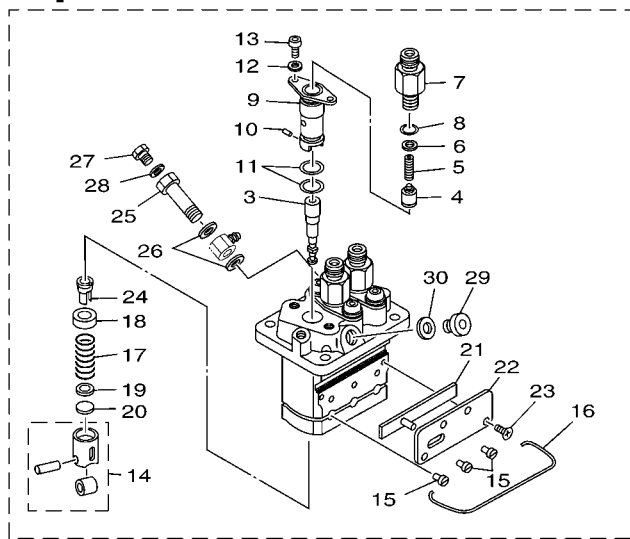
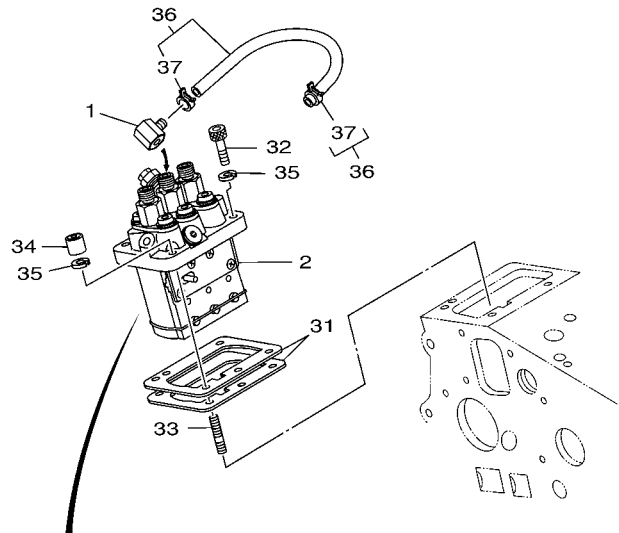
REF. NO.	PART NO.	DESCRIPTION	Q9CD				REMARKS
1	YF6-C1205-85-01	RADIATOR ASSY	1				
2	YF1-K1927-23-31	.SHROUD,FAN	1				
3	YF6-C0405-86-61	.CAP ASSY	1				
4	YF0-17545-06-14	.BOLT	4				
5	YF6-C0405-85-81	CUSHION(RADIATOR)	4				
6	YF6-C0905-86-30	HOSE	1				
7	YF6-79555-86-30	CLAMP,HOSE	2				
8	YF6-C0905-85-70	HOSE	1				
9	YF6-C0905-86-43	CLAMP	1				
10	YF0-93188-90-30	CLAMP,HOSE	2				
11	YF1-58419-15-10	STUD	1				
12	YF3-F7605-67-50	CAP (M6 BOLT)	1				



Q9C1600-A100

FIG. 10 RESERVE TANK

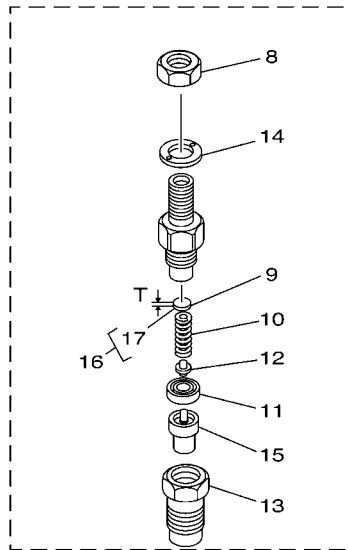
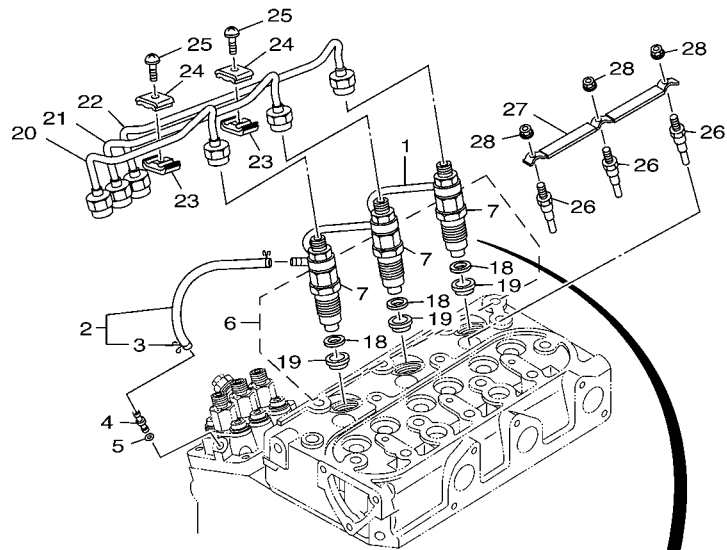
REF. NO.	PART NO.	DESCRIPTION	Q9CD				REMARKS
1	YF1-59717-41-10	FAN	1				
2	YF1-58417-42-50	PULLEY,FAN	1				
3	YF1-70537-41-50	FAN COLLER	1				
4	YF1-72089-10-40	BOLT,FLANGE	4				
5	YF1-55317-24-02	RESERVE TANK ASSY	1				
6	YF1-55317-24-10	.BODY,TANK	1				
7	YF1-55018-82-10	.LABEL,CAUTION	1				
8	YF1-55317-24-32	.PACKING	1				
9	YF1-54717-24-40	.PIPE,WATER OVER FLOW 2	1				
10	YF1-55317-24-42	.PIPE,WATER OVER FLOW 2	1				
11	YF1-55017-24-70	.CLIP,PIPE	2				
12	YF1-55317-24-22	.CAP	1				
13	YF1-19827-24-60	STAY,RESERVE TANK	1				



Q9CD600-F110

FIG. 11 INJECTION PUMP

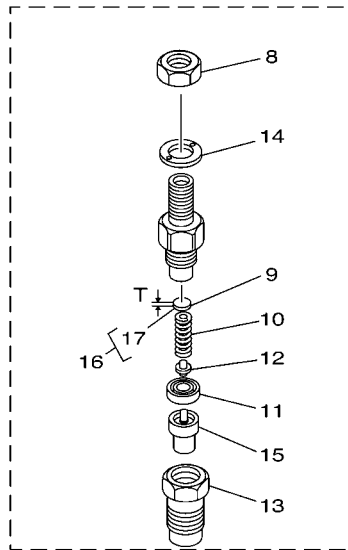
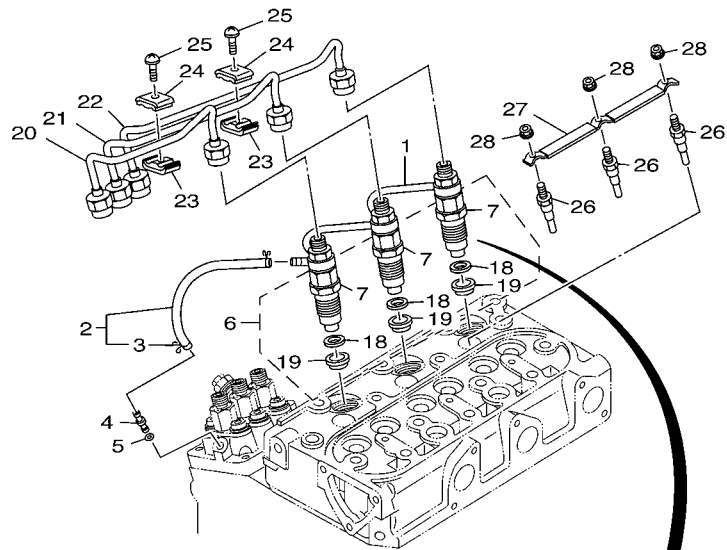
REF. NO.	PART NO.	DESCRIPTION	Q9CD				REMARKS
1	YF1-58419-56-80	NIPPLE,HOSE	1				
2	YF1-60065-10-10	INJECTION PUMP,ASSY	1				
3	YF1-68515-10-50	.ELEMENT,PUMP	3				
4	YF1-58415-10-30	.VALVE,DELIVERY	3				
5	YF1-58415-12-30	.SPRING,DELIVERY VALVE	3				
6	YF1-58415-12-40	.GASKET,DELIVERY VALVE	3				
7	YF1-68515-12-20	.HOLDER,DELIVERY VALVE	3				
8	YF1-58419-67-60	.O-RING	3				
9	YF1-58415-15-60	.SLEEVE FLANGE	3				
10	YF1-58419-45-70	.PIN,WITH HEAD	3				
11	YF1-58415-12	.O-RING	6				
12	YF1-58525-14-70	.WASHER	6				
13	YF1-58629-14-30	.SCREW	6				
14	YF1-58415-10-70	.TAPPET ASSY	3				
15	YF1-58415-12-50	.PIN,TAPPET GUIDE	3				
16	YF1-58615-14-30	.PIN,CLAMP	1				
17	YF1-58415-12-80	.SPRING,PLUNGER	3				
18	YF1-58415-12-70	.SEAT SPRING,UPPER	3				
19	YF1-58415-12-90	.SEAT SPRING,LOWER	3				
20	YF1-58415-14-90	.SHIM	1				
21	YF1-58615-10-60	.RACK,CONTROL	1				
22	YF1-58615-15-40	.PLATE	1				
23	YF1-58419-31-10	.SCREW,CYLINDER HEAD	4				
24	YF1-58415-13-80	.CONTROL SLEEVE	3				
25	YF1-58415-13-20	.SCREW	1				
26	YF1-58419-66-50	.PACKING	2				
27	YF1-58415-13-50	.SCREW,AIR BREATHER	1				



Q9C1600-A120

FIG. 12 INJECTION NOZZLE

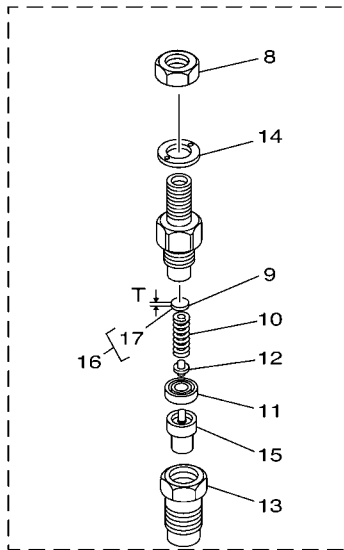
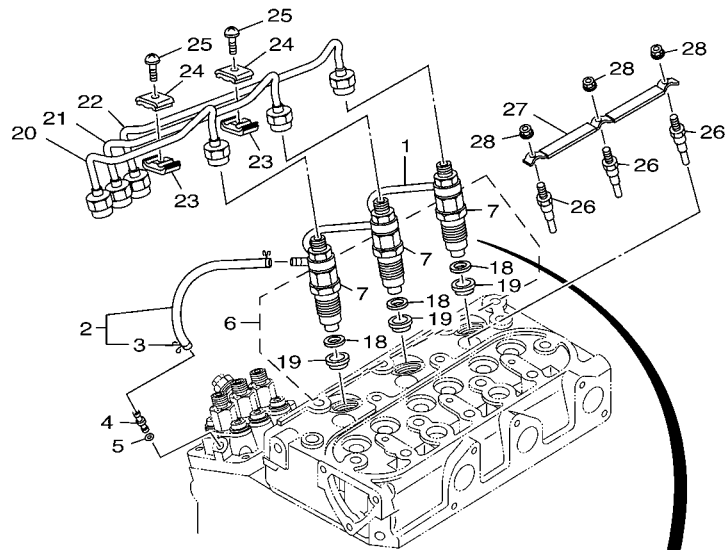
REF. NO.	PART NO.	DESCRIPTION	Q9CD			REMARKS
1	YF1-58624-25-02	PIPE ASSY,OVER FLOW	1			
2	YF1-58414-25-01	OVER FLOW PIPE ASSY 2	1			
3	YF1-49714-27-50	.PIPE CLIP	2			
4	YF1-58415-13-60	SCREW,AIR BREATHER	1			
5	YF1-56019-66-50	PACKING	1			
6	YF1-60015-39-01	NOZZLE HOLDER KIT	3			
7	YF1-60015-30-01	.NOZZLE HOLDER ASSY	3			
8	YF1-58419-20-30	..NUT	3			
9	YF1-58415-32-30	..WASHER,ADJUSTING(0.90MM)	3			
10	YF1-58415-31-70	..SPRING,NOZZLE	3			
11	YF1-58415-33-50	..PIECE,DISTANCE	3			
12	YF1-58415-31-60	..PUSH ROD	3			
13	YF1-64755-32-80	..NUT,NOZZLE	3			
14	YF1-58419-40-40	..WASHER	3			
15	YF1-68515-36-10	..NOZZLE PIECE	3			
16	YF1-58419-81	..ADJUSTING WASHER ASSY	3			AP
17	YF1-58415-32-30	...WASHER,ADJUSTING(0.90MM)	3			UR
	YF1-58419-85-10	...WASHER,ADJUSTING(0.925MM)	3			UR
	YF1-58419-85-20	...WASHER,ADJUSTING(0.950MM)	3			UR
	YF1-58419-85-30	...WASHER,ADJUSTING(0.975MM)	3			UR
	YF1-58419-85-40	...WASHER,ADJUSTING(1.000MM)	3			UR
	YF1-58419-85-50	...WASHER,ADJUSTING(1.025MM)	3			UR
	YF1-58419-85-60	...WASHER,ADJUSTING(1.050MM)	3			UR
	YF1-58419-85-70	...WASHER,ADJUSTING(1.075MM)	3			UR
	YF1-58419-85-80	...WASHER,ADJUSTING(1.100MM)	3			UR
	YF1-58419-85-90	...WASHER,ADJUSTING(1.125MM)	3			UR
	YF1-58419-86	...WASHER,ADJUSTING(1.150MM)	3			UR



Q9C1600-A120

FIG. 12 INJECTION NOZZLE

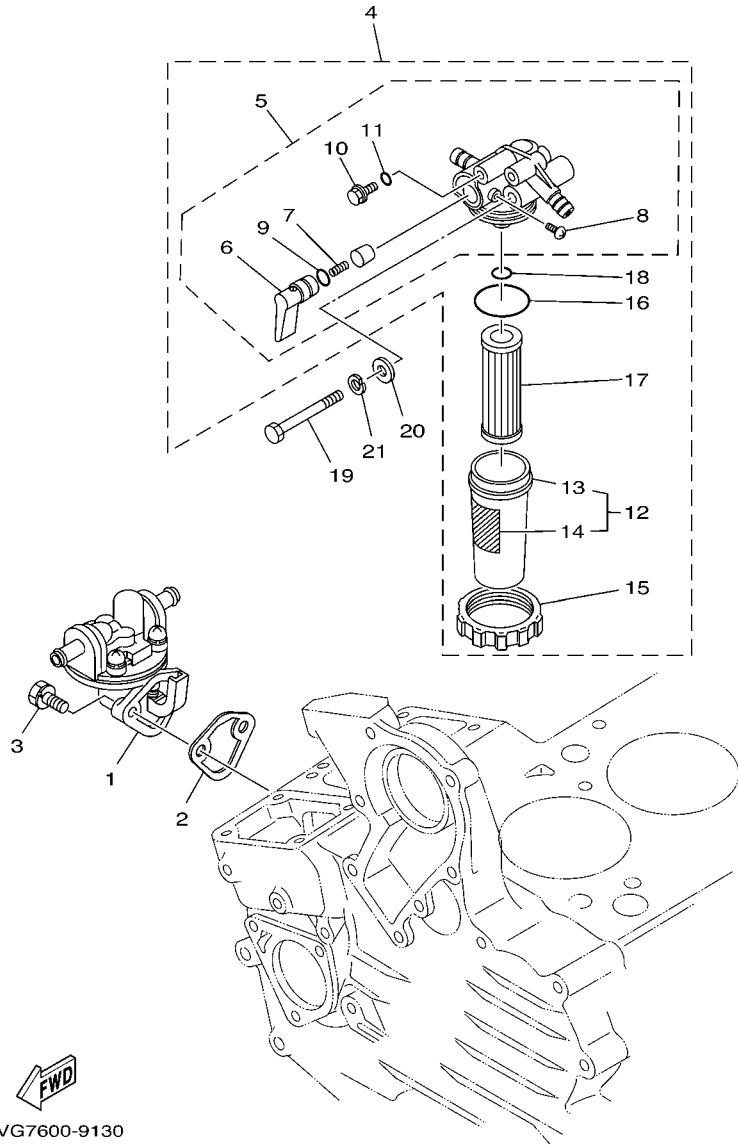
REF. NO.	PART NO.	DESCRIPTION	Q9CD			REMARKS
17	YF1-58419-86-10	...WASHER,ADJUSTING(1.175MM)	3			UR
	YF1-58419-86-20	...WASHER,ADJUSTING(1.200MM)	3			UR
	YF1-58419-86-30	...WASHER,ADJUSTING(1.225MM)	3			UR
	YF1-58419-86-40	...WASHER,ADJUSTING(1.250MM)	3			UR
	YF1-58419-86-50	...WASHER,ADJUSTING(1.275MM)	3			UR
	YF1-58419-86-60	...WASHER,ADJUSTING(1.300MM)	3			UR
	YF1-58419-86-70	...WASHER,ADJUSTING(1.325MM)	3			UR
	YF1-58419-86-80	...WASHER,ADJUSTING(1.350MM)	3			UR
	YF1-58419-86-90	...WASHER,ADJUSTING(1.375MM)	3			UR
	YF1-58419-87	...WASHER,ADJUSTING(1.400MM)	3			UR
	YF1-58419-87-10	...WASHER,ADJUSTING(1.425MM)	3			UR
	YF1-58419-87-20	...WASHER,ADJUSTING(1.450MM)	3			UR
	YF1-58419-87-30	...WASHER,ADJUSTING(1.475MM)	3			UR
	YF1-58419-87-40	...WASHER,ADJUSTING(1.500MM)	3			UR
	YF1-58419-87-50	...WASHER,ADJUSTING(1.525MM)	3			UR
	YF1-58419-87-60	...WASHER,ADJUSTING(1.550MM)	3			UR
	YF1-58419-87-70	...WASHER,ADJUSTING(1.575MM)	3			UR
	YF1-58419-87-80	...WASHER,ADJUSTING(1.600MM)	3			UR
	YF1-58419-87-90	...WASHER,ADJUSTING(1.625MM)	3			UR
	YF1-58419-88	...WASHER,ADJUSTING(1.650MM)	3			UR
	YF1-58419-88-10	...WASHER,ADJUSTING(1.675MM)	3			UR
	YF1-58419-88-20	...WASHER,ADJUSTING(1.700MM)	3			UR
	YF1-58419-88-30	...WASHER,ADJUSTING(1.725MM)	3			UR
	YF1-58419-88-40	...WASHER,ADJUSTING(1.750MM)	3			UR
	YF1-58419-88-50	...WASHER,ADJUSTING(1.775MM)	3			UR
	YF1-58419-88-60	...WASHER,ADJUSTING(1.800MM)	3			UR
	YF1-58419-88-70	...WASHER,ADJUSTING(1.825MM)	3			UR



Q9C1600-A120

FIG. 12 INJECTION NOZZLE

REF. NO.	PART NO.	DESCRIPTION	Q9CD				REMARKS
17	YF1-58419-88-80	...WASHER,ADJUSTING(1.850MM)	3				UR
	YF1-58419-88-90	...WASHER,ADJUSTING(1.875MM)	3				UR
	YF1-58419-89	...WASHER,ADJUSTING(1.900MM)	3				UR
	YF1-58419-89-10	...WASHER,ADJUSTING(1.925MM)	3				UR
	YF1-58419-89-20	...WASHER,ADJUSTING(1.950MM)	3				UR
18	YF1-58415-36-22	.PACKING	3				
19	YF1-90775-36-50	.SEAL,HEAT	3				
20	YF1-68515-37-12	PIPE,INJECTION 1	1				
21	YF1-68515-37-22	PIPE,INJECTION 2	1				
22	YF1-68615-37-32	PIPE,INJECTION 3	1				
23	YF1-58415-38-50	CLAMP,PIPE 1	2				
24	YF1-58415-38-60	CLAMP,PIPE 2	2				
25	YF0-30245-05-20	SCREW,WITH WASHER	2				
26	YF1-68516-55-10	PLUG,GLOW	3				
27	YF1-68616-55-60	CORD,GLOW PLUG	1				
28	YF0-27615-00-40	NUT,FLANGE	3				

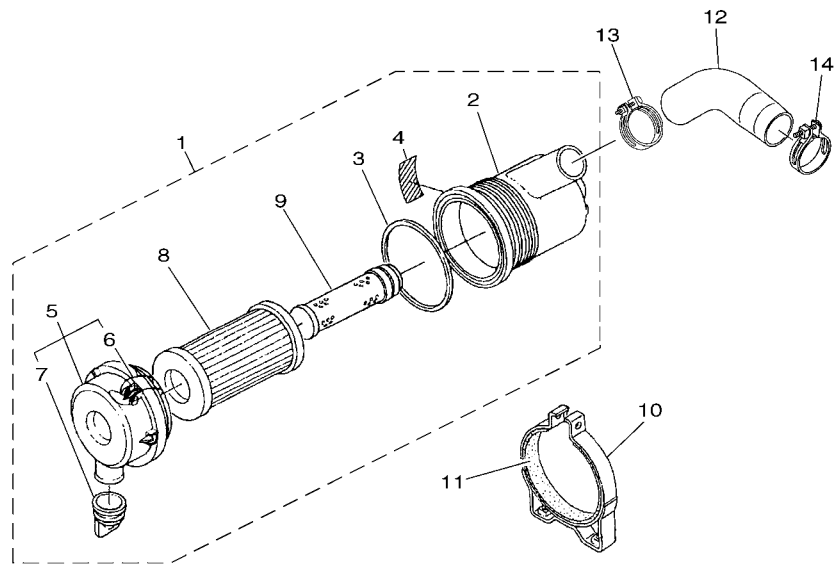


7VG7600-9130

FIG. 13 FUEL SYSTEM 2

REF. NO.	PART NO.	DESCRIPTION	Q9CD				REMARKS
1	YF1-58215-20-30	FUEL PUMP ASSY	1				
2	YF1-62645-21-40	GASKET	1				
3	YF0-10235-06-16	BOLT	2				
4	YF1-53934-30-17	FUEL FILTER ASSY	1				
5	YF1-92044-31-10	.COCK BODY COMP.	1				
6	YF1-43014-35-22	..LEVER, COCK	1				
7	YF1-43014-38-20	..SPRING, VALVE	1				
8	YF1-43014-38-30	..SCREW, LEVER SET	1				
9	YF1-43014-38-40	..O-RING	1				
10	YF1-92044-32-80	..PLUG, AIR BREATHER	2				
11	YF0-48100-00-60	..O-RING	2				
12	YF1-53934-31	.CUP ASSY, FILTER	1				
13	YF1-53934-35-80	..CUP FILTER	1				
14	YF1-68738-84-30	..LABEL, FUEL	1				
15	YF1-43014-35-90	.RING, RETAINING	1				
16	YF1-43014-36-50	.O-RING	1				
17	YF1-52314-35-60	.ELEMENT ASSY	1				
18	YF1-43014-35-70	.O-RING	1				
19	YF0-11535-08-65	BOLT	1				
20	YF0-40136-00-80	WASHER, PLATE	1				
21	YF0-45126-00-80	WASHER, SPRING	1				

FIG. 14 AIR CLEANER




Q9C1600-A140

REF. NO.	PART NO.	DESCRIPTION	Q9CD				REMARKS
1	YF6-C0955-82-03	AIR CLEANER ASSY	1				
2	YF6-A1008-25-20	.BODY,AIR CLEANER	1				
3	YF6-A1008-25-30	.GASKET	1				
4	YF3-27215-82-82	.LABEL CAUTION	1				
5	YF6-A1008-25-50	.COVER ASSY.,AIR CLEANER	1				
6	YF6-A1008-25-70	..SPRING	2				
7	YF6-79808-25-80	..VALVE	1				
8	YF6-A1008-26-30	.ELEMENT ASSY	1				
9	YF3-27215-82-42	.ELEMENT INNER	1				
10	YF1-53711-12-52	BAND,AIR CLEANER	1				
11	YF1-53711-18-70	CUSHION	1				
12	YF1-68631-16-20	HOSE,INLET	1				
13	YF1-52211-17-20	BAND,PIPE	1				
14	YF1-52611-17-20	BAND,PIPE	1				

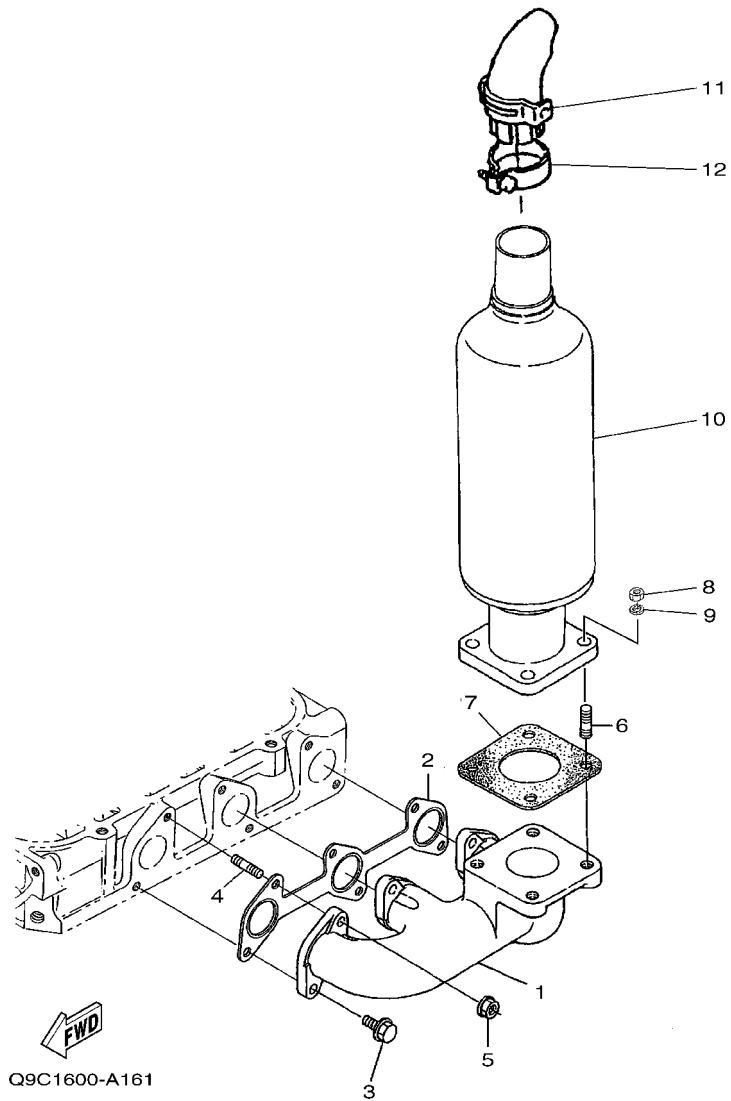
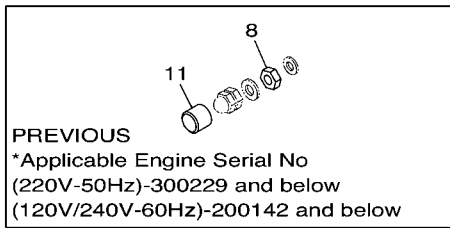
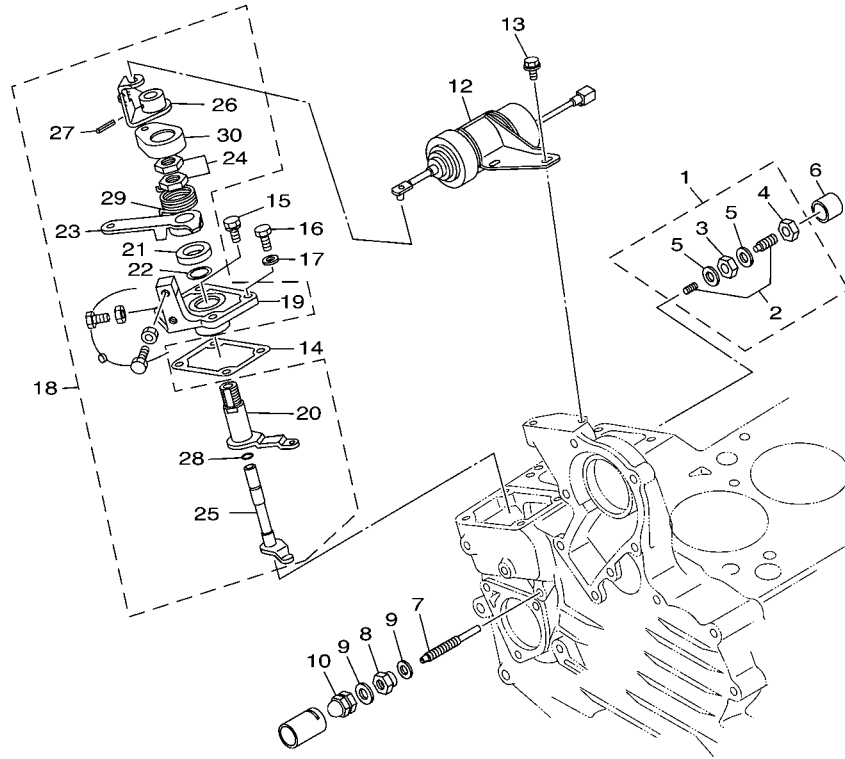


FIG. 16 EXHAUST 1

REF. NO.	PART NO.	DESCRIPTION	Q9CD				REMARKS
1	YF1-68641-23-10	MANIFOLD,EXHAUST	1				
2	YF1-G3181-23-51	PACKING,EXHAUST MANIFOLD	1				
3	YF0-17595-06-16	BOLT,UBS	3				
4	YF0-15135-06-18	BOLT,STUD	3				
5	YF0-27565-00-60	NUT,UBS	3				
6	YF0-15135-08-22	STUD	4				
7	YF1-52631-23-70	PACKING,MUFFLER(NA)	1				
8	YF0-21145-00-80	NUT	4				
9	YF0-45126-00-80	WASHER,SPRING	4				
10	YF1-K1751-21-11	MUFFLER	1				
11	YF1-91041-24-11	PIPE, MUFFLER	1				
12	YF1-42611-24-33	BAND, PIPE	1				

CURRENT

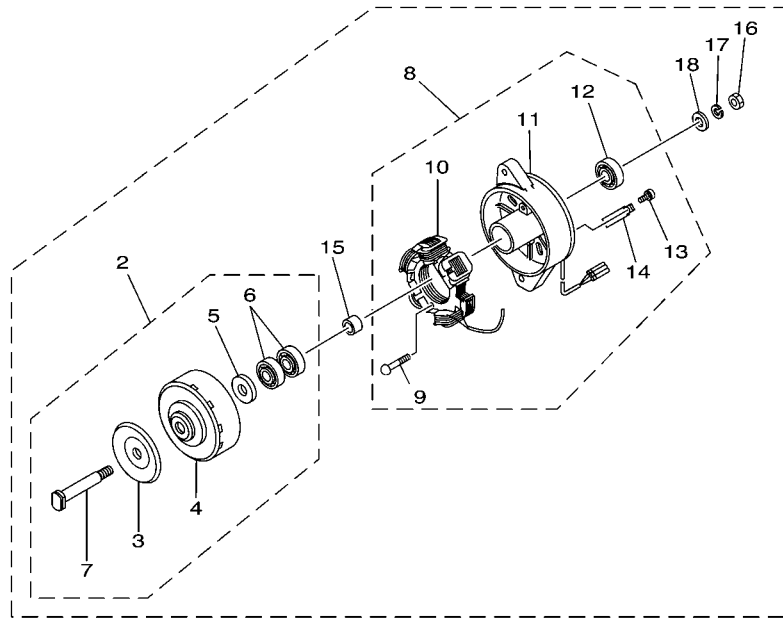
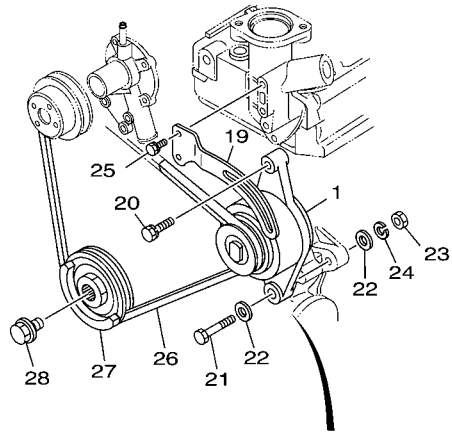
*Applicable Engine Serial No
(220V-50Hz)-300230 and following
(120V/240V-60Hz)-200143 and following



Q9CD600-F170

FIG. 17 CONTROL UNIT

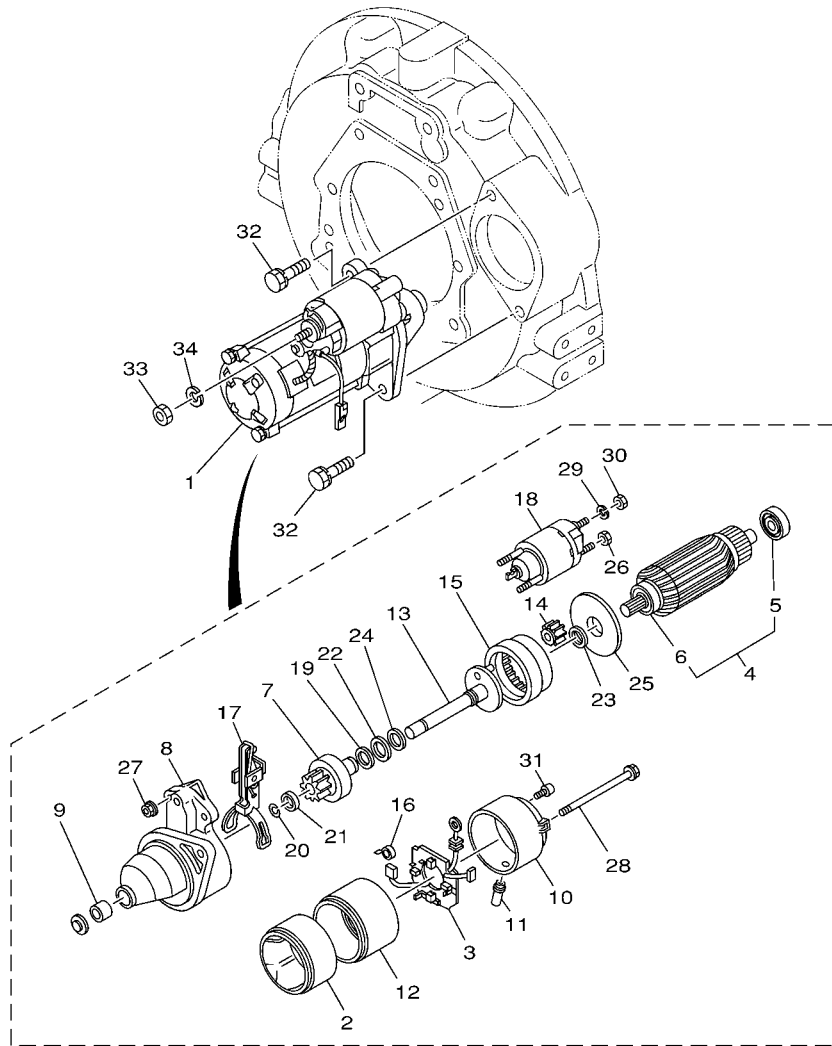
REF. NO.	PART NO.	DESCRIPTION	Q9CD				REMARKS
1	YF1-58415-41-02	ADJUSTING BOLT ASSY	1				
2	YF1-58415-40-92	.IDLING REGULATOR ASSY	1				
3	YF1-52619-20-20	.NUT	1				
4	YF1-58415-42-20	.NUT,CROWN	1				
5	YF1-50213-36-60	.PACKING	2				
6	YF1-58415-42-70	CAP	1				
7	YF1-58415-41-22	BOLT,ADJUSTING	1				
8	YF1-58419-20-20	NUT	1				PREVIOUS
	YF1-G0315-42-12	NUT	1				CURRENT
9	YF1-56019-66-50	PACKING	2				
10	YF1-58419-23-30	NUT,CROWN	1				
11	YF1-62415-44-20	CAP	1				PREVIOUS
12	YF1-68516-00-10	STOP SOLENOID	1				
13	YF0-17545-06-12	BOLT,FLANGE	2				
14	YF1-58415-72-12	GASKET	1				
15	YF0-10235-06-18	BOLT	2				
16	YF0-10535-06-18	BOLT	2				
17	YF1-56019-66-50	PACKING	2				
18	YF1-75615-70-13	SPEED CONTROL COMP.	1				
19	YF1-58415-71-12	PLATE,SPEED CONTROL	1				
20	YF1-58415-61-12	.LEVER,GOVERNOR	1				
21	YF1-92805-72-40	.COLLAR	1				
22	YF0-48141-01-60	.O-RING	1				
23	YF1-G6395-71-50	.LEVER,SPEED CONTROL	1				
24	YF1-68669-20-10	.NUT(LEVER,SPEED CONTROL)	1				
25	YF1-68785-77-42	.SHAFT,LEVER	1				
26	YF1-68515-77-23	.LEVER,ENGINE STOP	1				



Q9CD600-F180

FIG. 18 GENERATOR

REF. NO.	PART NO.	DESCRIPTION	Q9CD			REMARKS
1	YF1-75316-40-10	DYNAMO ASSY	1			
2	YF1-55316-41-22	..ROTOR COMP.	1			
3	YF1-55316-41-10	..PULLEY	1			
4	YF1-55316-40-40	..ROTOR	1			
5	YF1-55316-41-40	..COLLAR 1	1			
6	YF1-55317-41-80	..BEARING,BALL	2			
7	YF1-55317-41-40	..SHAFT,FAN	1			
8	YF1-55316-43-63	..STATER COMP.	1			
9	YF1-52619-30-10	..SCREW,ROUND HEAD	2			
10	YF1-55316-42-92	..STATER	1			
11	YF1-55316-40-72	..PLATE	1			
12	YF1-55317-41-80	..BEARING,BALL	1			
13	YF1-55319-30-10	..SCREW,ROUND HEAD	1			
14	YF1-55316-41-90	..CLAMP,CORD	1			
15	YF1-52616-41-50	..COLLAR 2	1			
16	YF1-52619-20-30	..NUT	1			
17	YF1-52619-40-70	..WASHER,SPRING	1			
18	YF1-52619-40-20	..WASHER,PLATE	1			
19	YF1-25996-44-20	STAY,DYNAMO	1			
20	YF1-98719-10-31	BOLT	1			
21	YF0-11535-08-55	BOLT	1			
22	YF0-40136-00-80	WASHER,PLATE	2			
23	YF0-21145-00-80	NUT	1			
24	YF0-45126-00-80	WASHER,SPRING	1			
25	YF0-10235-06-16	BOLT	2			
26	YF1-58819-70-10	3.4.5 V-BELT(REMF-1345)	1			
27	YF1-68757-42-80	PULLEY,DRIVE FAN	1			

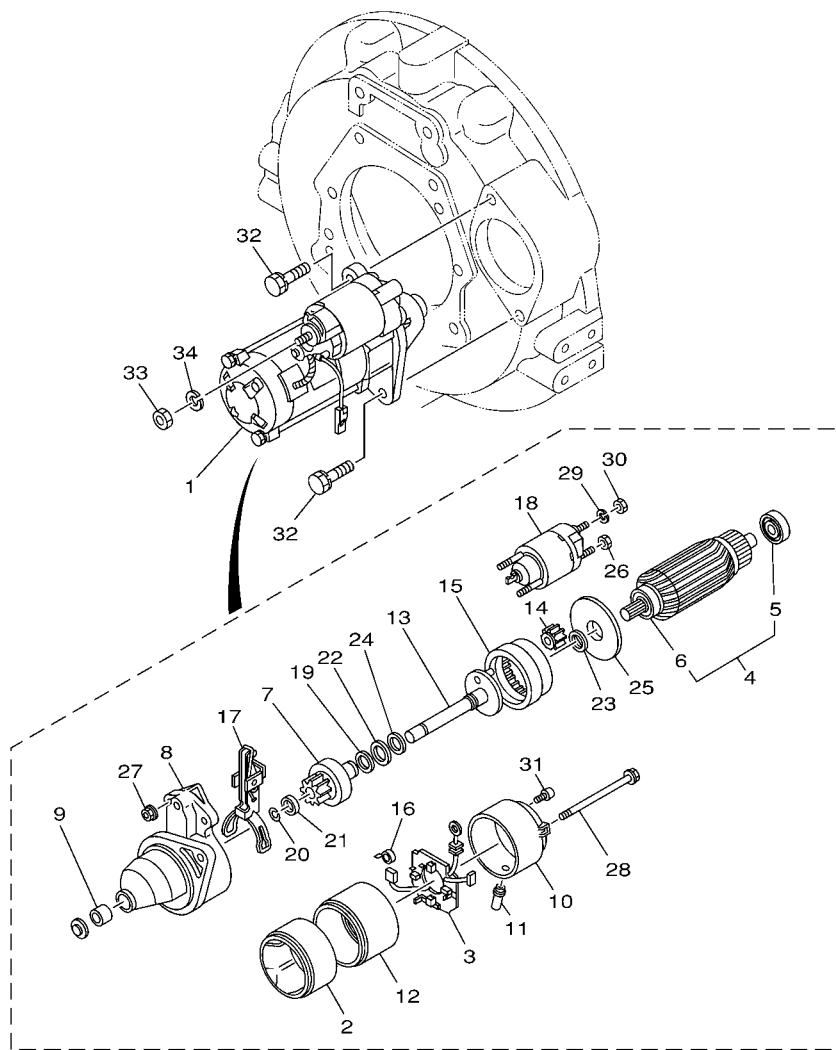


7VG7600-9190

FIG. 19 STARTING MOTOR

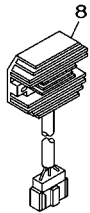
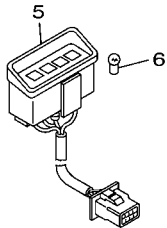
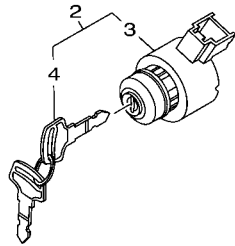
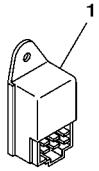
REF. NO.	PART NO.	DESCRIPTION	Q9CD				REMARKS
1	YF6-79803-11-50	STARTER ASSY	1				
2	YF6-A1003-11-60	.YOKE ASSY,STARTER	1				
3	YF1-49586-33-80	.HOLDER ASSY	1				
4	YF6-A1003-11-70	.ARMATURE ASSY	1				
5	YF1-55046-35-30	..BEARING,BALL	1				
6	YF1-55046-35	..BEARING,BALL	1				
7	YFK-35118-14-30	.CLUTCH SUB ASSY,STARTER	1				
8	YF6-79803-11-80	.HOUSING ASSY,STARTER	1				
9	YF6-A1003-11-90	.BEARING(OIL LESS)	1				
10	YFK-35118-14-50	.FLAME ASSY,COMMUTATOR	1				
11	YF1-21826-32-90	.COVER,WATER DRAIN	1				
12	YF1-49586-35-30	.BEARING SUB ASSY	1				
13	YFK-35118-14-60	.SHAFT SUB ASSY,STARTER	1				
14	YF1-49586-32-60	.GEAR 1	3				
15	YF1-49586-32-70	.GEAR 2	1				
16	YF1-54016-33-90	.SPRING,BRUSH	12				
17	YF1-49586-30-50	.LEVER,STARTER DRIVE	1				
18	YF1-21816-30-80	.SWITCH ASSY,MAGNETIC	1				
19	YF1-49586-31-70	.SNAP RING,SHAFT	1				
20	YF1-21816-32-20	.RING,SNAP	1				
21	YF1-38166-34-60	.COLLAR,PINION STOP	1				
22	YF1-49589-40-10	.WASHER,PLATE 1	1				
23	YF1-49589-40-20	.WASHER,PLATE 2	1				
24	YF1-49589-40-30	.WASHER,PLATE 3	1				
25	YF1-49589-40-40	.PLATE	1				
26	YF1-66119-20-20	.NUT,HEXAGON	1				
27	YF1-42789-20-10	.NUT	2				

FIG. 19 STARTING MOTOR



7VG7600-9190

REF. NO.	PART NO.	DESCRIPTION	Q9CD				REMARKS
28	YF1-14606-33-20	.BOLT,THROUGH	2				
29	YF1-38019-41	.WASHER,SPRING(T=8)	1				
30	YF1-96169-20-10	.NUT,HEXAGON	1				
31	YFK-35118-14-80	.SCREW	2				
32	YF0-11235-08-25	BOLT	2				
33	YF0-21145-00-80	NUT	1				
34	YF0-45126-00-80	WASHER,SPRING	1				



CURRENT
 *Applicable Engine Serial No
 (220V-50Hz)-300230 and following
 (120V/240V-60Hz)-200143 and following

Q9CD600-F201

FIG. 20 ELECTRICAL

REF. NO.	PART NO.	DESCRIPTION	Q9CD				REMARKS
1	YF1-56946-59-90	LAMP TIMER	1				
2	YF1-52486-35-90	STARTER SWITCH ASSY.	1				
3	YF6-C0405-54-12	.SWITCH,STARTER	1				
4	YF1-52486-37-02	.KEY, STARTER	1				
5	YF1-74787-02-01	PILOT BOX	1				
6	YF3-41503-45-90	BULB	4				
7	YF1-74786-00-80	FUSE(50A)	2				
8	YFR-P2015-37-10	REGULATOR,ASSY	1				PREVIOUS
	YF5-H2154-19-55	REGURATOR,ASSY	1				CURRENT
<hr/>							
<hr/>							
<hr/>							
<hr/>							
<hr/>							
<hr/>							
<hr/>							
<hr/>							
<hr/>							
<hr/>							

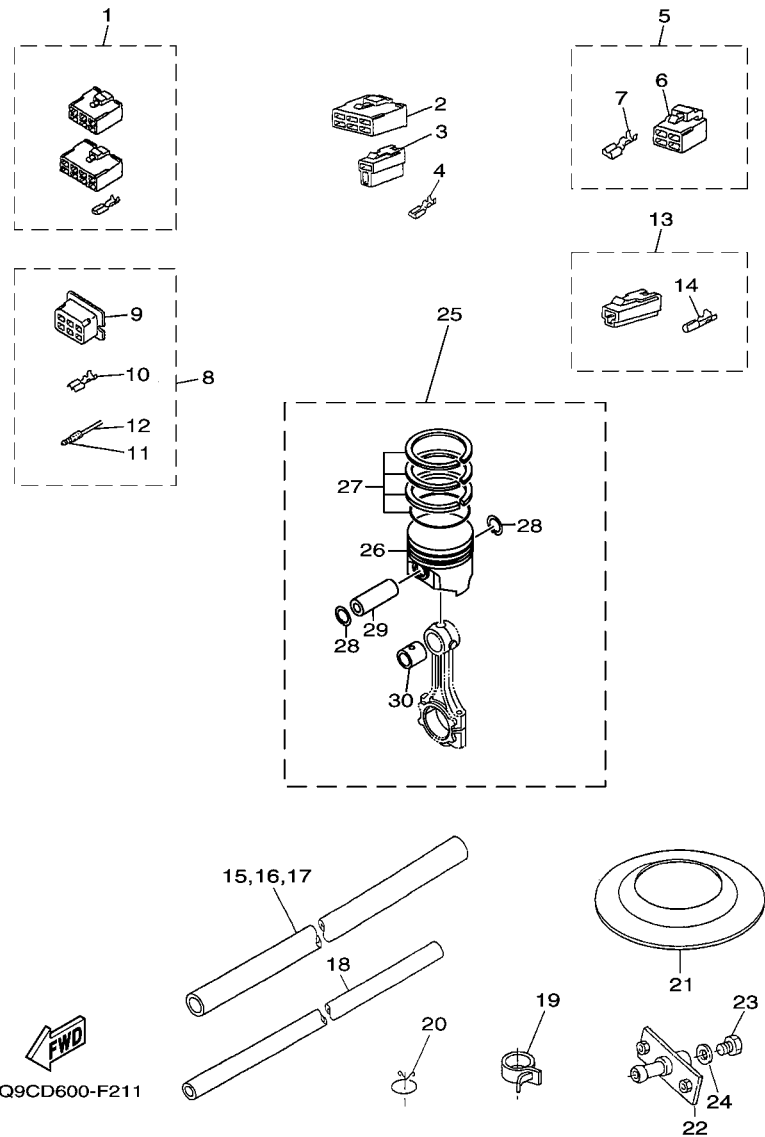
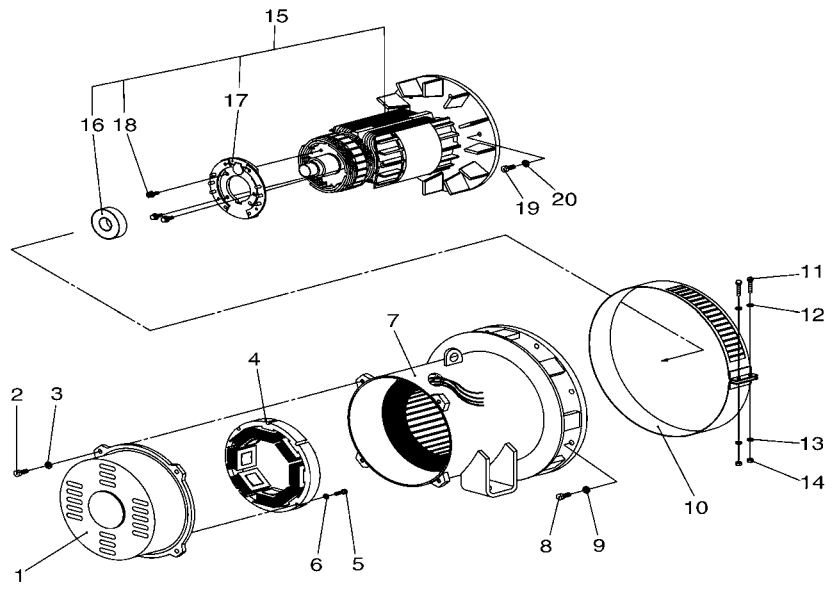


FIG. 21 ALTERNATE 1

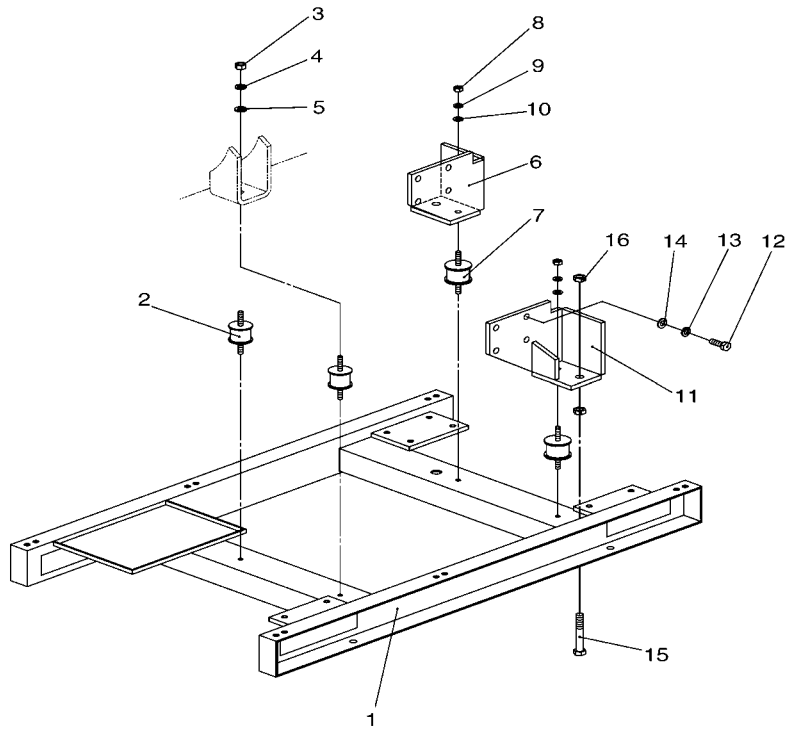
REF. NO.	PART NO.	DESCRIPTION	Q9CD				REMARKS
1	YF1-72886-58-30	CONNECTOR ASSY	1				
2	YF1-98726-58-40	CONNECTOR(6P)	1				
3	YF1-72886-58-80	COUPLER(8F WITH LOCK)	1				
4	YF1-92376-59-10	TERMINAL	14				
5	YF1-66456-58-30	COUPLER(4P WITH LOCK)	1				
6	YF1-15216-58-60	.CONNECTOR(4P)	1				
7	YF1-92376-59-10	.TERMINAL	4				
8	YF1-94286-58-30	COUPLER ASSY	1				
9	YF1-92376-58-80	.CONNECTOR(6P)	1				
10	YF1-92376-59-10	.TERMINAL	6				
11	YF6-82716-59-10	.TERMINAL 1	2				
12	YF6-82716-59-20	.SLEEVE	2				
13	YF1-92156-37-50	TERMINAL	1				
14	YF1-98446-57-70	.TERMINAL	1				
15	YF0-96618-02-50	FUEL TUBE	1				
16	YF0-96618-07-25	FUEL TUBE	1				
17	YF0-96618-02-60	PIPE FUEL	1				
18	YF0-96614-06-75	FUEL TUBE	1				
19	YF1-49114-27-50	PIPE CLIP	6				
20	YF1-49714-27-50	PIPE CLIP	2				
21	YF1-89013-02-70	FUEL TANK CAP SEAL	1				
22	YF1-K1253-37-40	JOINT(DRAIN)	1				
23	YF1-52213-37-50	PLUG	1				
24	YF6-C0905-89-60	GASKET(DRAIN OIL PAN)	1				
25	YF1-68712-17-72	PISTON, KIT	1				
26	YF1-68512-11-14	.PISTON	1				
27	YF1-68532-10-51	.PISTON RING ASSY	1				



FWD
Q9CD600-F220

FIG. 22 GENERATOR 1

REF. NO.	PART NO.	DESCRIPTION	Q9CD			REMARKS
1	YFT-K3T30-18-86	BRACKET	1			
2	YFT-KBM08-30-A5	BOLT	4			
3	YFT-KWMS0-80	WASHER,SPRING	4			
4	YFT-WKC00-49-ST	EX STATOR ASSY	1			
5	YFT-KBM06-35-A5	BOLT	4			
6	YFT-KWMS0-60	WASHER,SPRING	4			
7	YFT-WKC01-21-ST	STATOR ASSY	1			UR 220V
	YFT-WKC01-24-ST	STATOR ASSY	1			UR 120/240V
8	YFB-M1025-B5-12	BOLT	8			
9	YFT-KWMS1-00	WASHER,SPRING	8			
10	YFT-K3T30-17-19	COVER	1			
11	YFT-KBM06-35-A5	BOLT	2			
12	YFT-KWMS0-60	WASHER,SPRING	2			
13	YFT-K1PWM-06-E5	WASHER	2			
14	YFT-K1NM0-6A-50	NUT	2			
15	YFT-WKC01-21-RT	ROTOR ASSY	1			
16	YFT-KNO63-06-ZZ	.BEARING	1			
17	YFT-K3T20-10-65	.RECTIFIER ASSY	1			
18	YFS-M0615-SP-A5	.BOLT	3			
19	YFT-KBM08-20-C5	BOLT	6			
20	YFT-KWMS0-80	WASHER,SPRING	6			

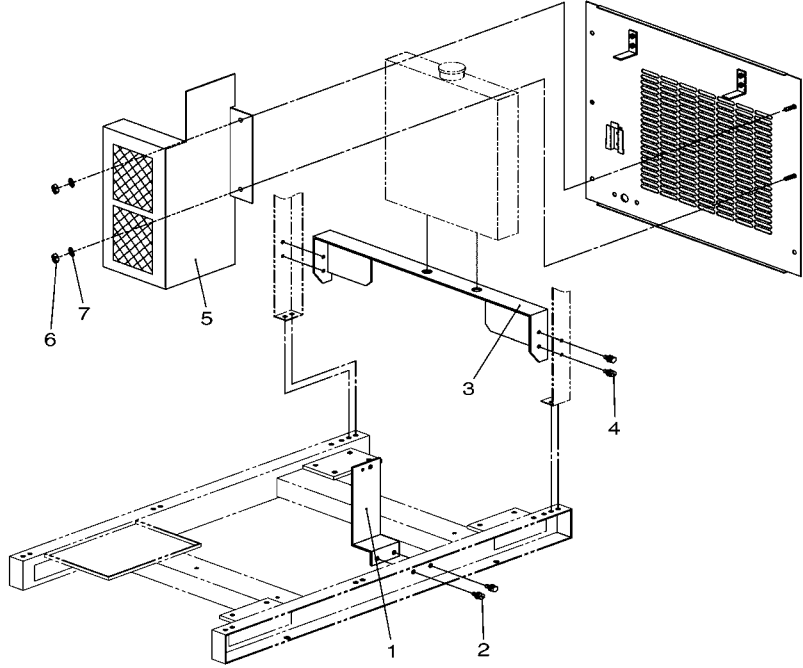



Q9CD600-F230

FIG. 23 ENGINE MOUNT

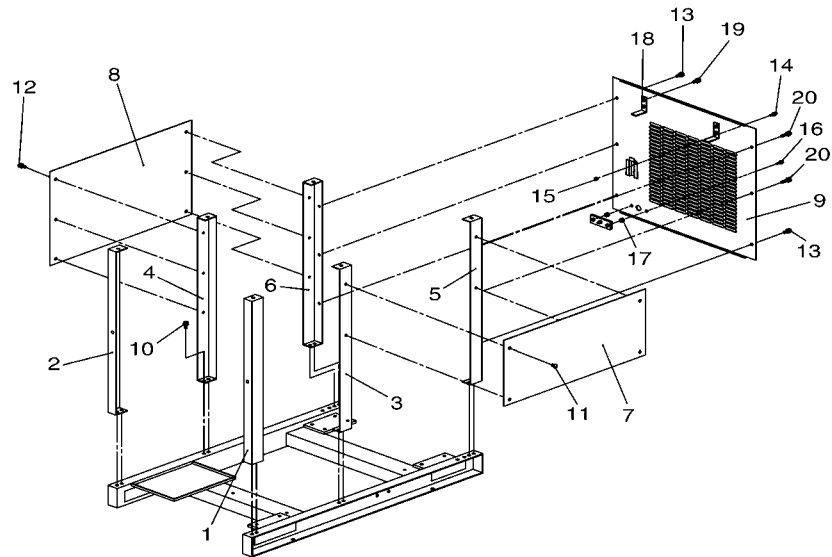
REF. NO.	PART NO.	DESCRIPTION	Q9CD				REMARKS
1	YFT-K3T30-34-86	BED	1				
2	YFT-KKA40-33-HO	CUSHION	2				
3	YFT-K1NM0-8A-50	NUT	2				
4	YFT-KWMS0-80	WASHER,SPRING	2				
5	YFT-K1PWM-08-E5	WASHER	2				
6	YFT-3T301-70-0L	FOOT(L)	1				
7	YFT-KKA45-00	CUSHION	2				
8	YFT-K1NM0-8A-50	NUT	2				
9	YFT-KWMS0-80	WASHER,SPRING	2				
10	YFT-K1PWM-08-E5	WASHER	2				
11	YFT-3T301-70-0R	FOOT(R)	1				
12	YFB-M1020-C6-12	BOLT	8				
13	YFT-KWMS1-00	WASHER,SPRING	8				
14	YFT-K1PWM-10-E5	WASHER	8				
15	YFT-KBM12-65-A5	BOLT	2				
16	YFT-K1NM1-2A-50	NUT	4				

FIG. 24 FRAME



FWD
Q9CD600-F240

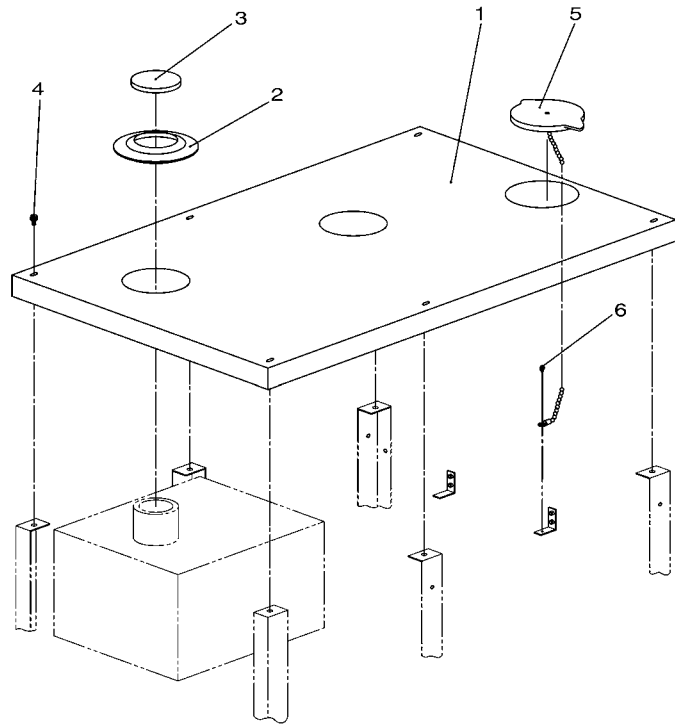
REF. NO.	PART NO.	DESCRIPTION	Q9CD			REMARKS
1	YFT-K4T30-17-11	BRACKET,FUEL FILTER	1			
2	YFS-M820S-PW-A6	BOLT	2			
3	YFT-K3T30-34-90	BRACKET, RADIATOR	1			
4	YFS-M820S-PW-A6	BOLT	4			
5	YFT-K3T30-35-11	COVER	1			
6	YFT-K1NM0-8A-60	NUT	2			
7	YFT-K1PWM-08-E6	WASHER	2			




Q9CD600-F250

FIG. 25 COVER

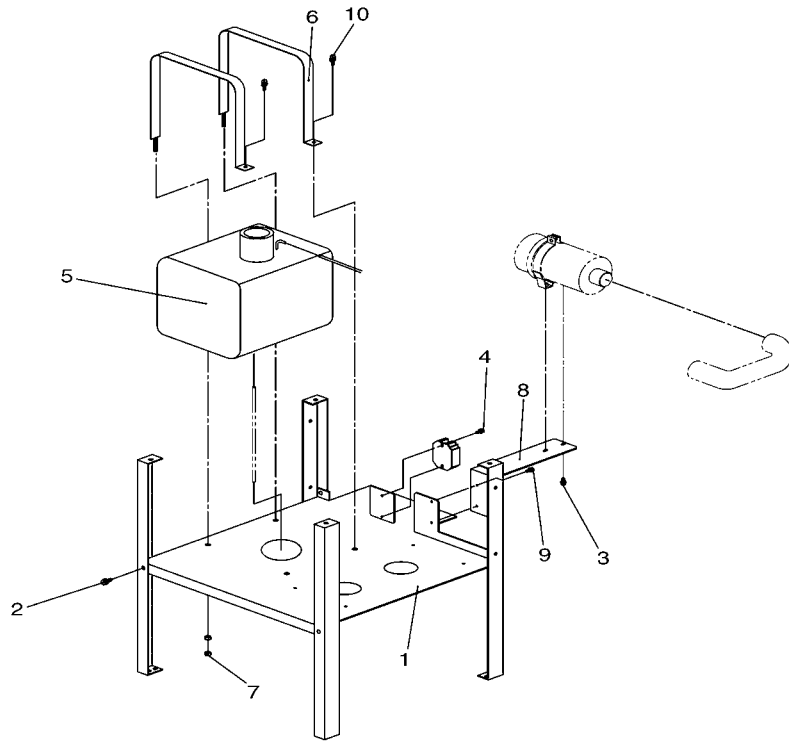
REF. NO.	PART NO.	DESCRIPTION	Q9CD				REMARKS
1	YFT-3T303-50-5R	STAND	1				
2	YFT-3T303-50-5L	STAND	1				
3	YFT-3T303-50-6R	STAND	1				
4	YFT-3T303-50-6L	STAND	1				
5	YFT-3T303-48-9R	STAND	1				
6	YFT-3T303-48-9L	STAND	1				
7	YFT-3T301-70-5R	COVER	1				
8	YFT-3T303-51-2L	COVER	1				
9	YFT-K3T30-28-07	COVER,RADIATOR	1				
10	YFS-M820S-PW-A6	BOLT	12				
11	YFS-M816S-PW-A6	BOLT	4				
12	YFS-M816S-PW-A6	BOLT	6				
13	YFS-M816S-PW-A6	BOLT	4				
14	YFS-M614S-PW-A6	BOLT	2				
15	YFT-K1NM0-6A-50	NUT	2				
16	YFS-M825S-PW-A5	BOLT	2				
17	YFT-K4T30-30-29	LINER	2				
18	YFT-K4T30-34-91	PLATE, RADIATOR	2				
19	YFS-M614S-PW-A6	BOLT	4				
20	YFS-M830S-PW-A6	BOLT	2				



 Q9CD600-F260

FIG. 26 PANEL & COVER

REF. NO.	PART NO.	DESCRIPTION	Q9CD			REMARKS
1	YFT-K3T30-34-88	ROOF	1			
2	YF1-89013-02-70	FUEL TANK CAP SEAL	1			
3	YFT-Y9901-00-0A	CAP FUEL TANK	1			
4	YFS-M816S-PW-A6	BOLT	6			
5	YFT-K3T50-12-24	GUM CAP	1			
6	YFS-EC516-SP-G5	SCREW	1			

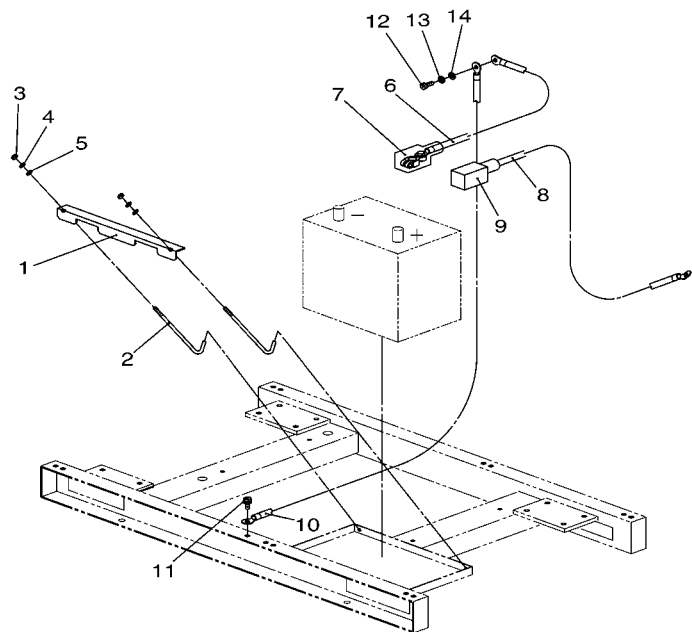



 Q9CD600-F270

FIG. 27 FUEL TANK

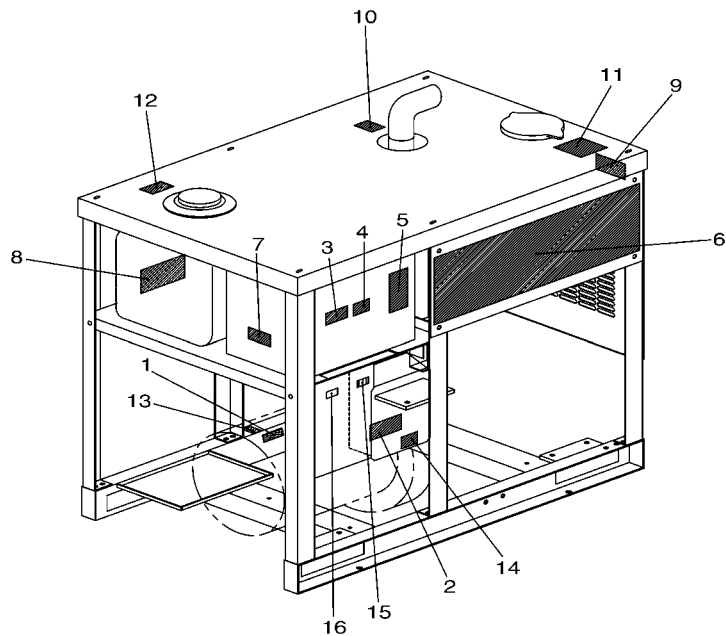
REF. NO.	PART NO.	DESCRIPTION	Q9CD				REMARKS
1	YFT-K3T30-34-92	PLATE, TANK & C BOX	1				
2	YFS-M820S-PW-A6	BOLT	4				
3	YFS-M820S-PW-A6	BOLT	2				
4	YFS-M625S-PW-A6	BOLT	2				
5	YFT-K3T30-34-84	FUEL TANK	1				
6	YFT-K4T30-30-19	BAND, FUEL TANK	2				
7	YFT-K1NM0-8A-50	NUT	4				
8	YFT-K4T30-34-93	PLATE, AIRCLEANER	1				
9	YFS-M820S-PW-A6	BOLT	2				
10	YFS-M820S-PW-A6	BOLT	2				

FIG. 29 FRAME 3




Q9CD600-F290

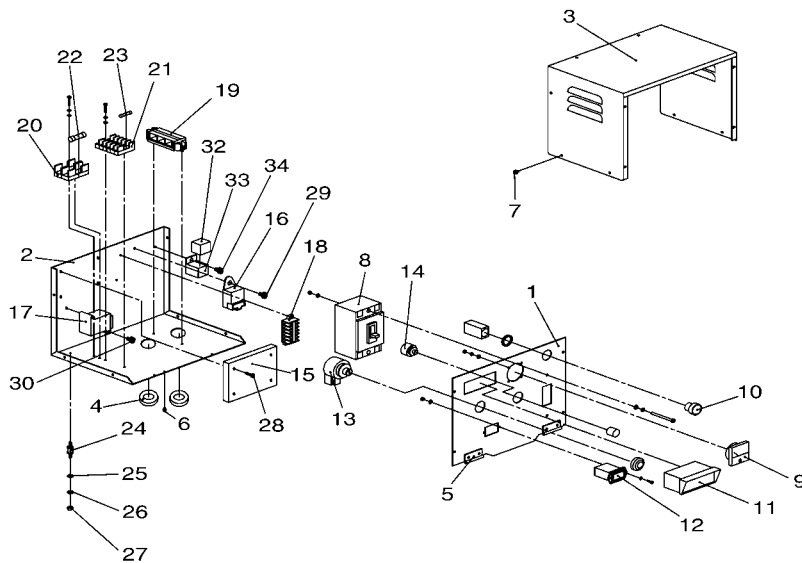
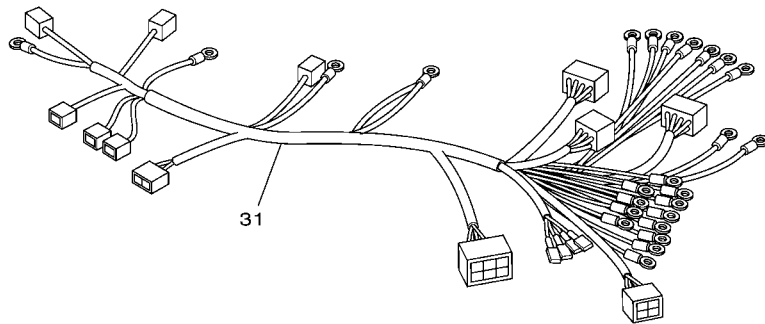
REF. NO.	PART NO.	DESCRIPTION	Q9CD				REMARKS
1	YFT-K4T30-16-10	SUPPORT,BATTERY	1				
2	YFT-K4440-00-23	HOOK BATTERY	2				
3	YFT-K1NM0-6A-50	NUT	2				
4	YFK-TWMS0-60	WASHER,SPRING	2				
5	YFT-KM516-63-4C	WASHER	2				
6	YF3-T1030-79-02	CORD, BATTERY(-)	1				
7	YFT-K4440-00-9B	CORD(BLACK)	1				
8	YF3-T1030-79-01	CORD, BATTERY(+)	1				
9	YFT-K4440-00-9R	CORD(RED)	1				
10	YF3-T1030-79-03	CORD (EARTH)	1				
11	YFB-M825A-SS-Y0	BOLT	1				
12	YFB-M1020-C5-12	BOLT	1				
13	YFT-KWMS1-00	WASHER,SPRING	1				
14	YFT-K1PWM-10-E5	WASHER	1				




Q9CD600-F300

FIG. 30 LABEL

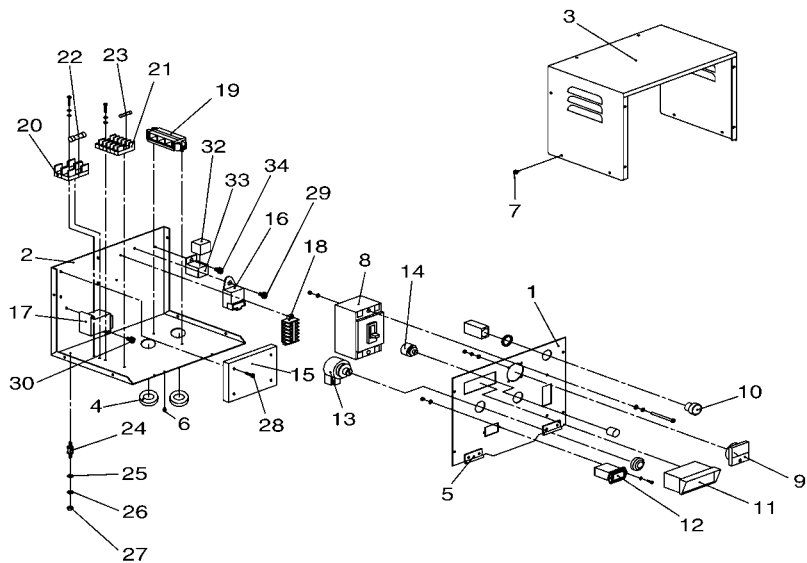
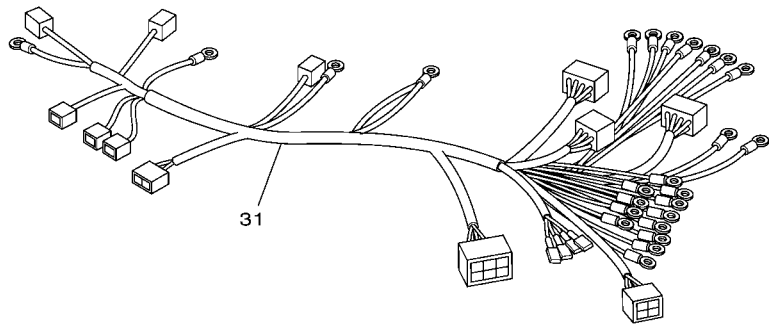
REF. NO.	PART NO.	DESCRIPTION	Q9CD			REMARKS
1	YFT-K4T50-15-86	LABEL SIRIAL	1			UR 220V
	YFT-K4T50-15-87	LABEL SIRIAL	1			UR 120/240V
2	YFT-K4T50-15-77	LABEL TERMINAL	1			UR 220V
	YFT-K4T50-15-78	LABEL TERMINAL	1			UR 120/240V
3	YFT-K4T50-10-42	LABEL,KEY SWITCH	1			
4	YFT-K4E50-10-50	LABEL VR	1			
5	YFT-K4T50-10-43	LABEL,BREAKER	1			
6	YFT-K3T50-15-74	NAME PLATE YAMAHA	1			UR EDL11000E
	YFT-K3T50-15-92	NAME PLATE YAMAHA	1			UR EDL11000DE
7	YFT-K4T50-11-27	LABEL WARNING	1			
8	YFT-K3700-03-10	LABEL,MAINTRNANCE	1			
9	YFT-K4T50-11-30	LABEL CAUTION	1			
10	YFT-K4T50-11-28	LABEL CAUTION	1			
11	YFT-K4T50-11-29	LABEL RADIATOR	1			
12	YFT-K4700-07-40	LABEL,FUEL	1			
13	YFT-K4700-08-10	LABEL EARTH	1			
14	YFT-K3T50-12-91	LABEL DANGER VOLTAGE	1			
15	YFT-K4T50-15-83	LABEL RECEPTACLE	1			UR 220V
	YFT-K4T50-15-84	LABEL RECEPTACLE	1			UR 120/240V
16	YFT-K4T50-15-85	LABEL RECEPTACLE	1			FOR 120/240V




Q9CD600-F310

FIG. 31 ELECTRICAL 2

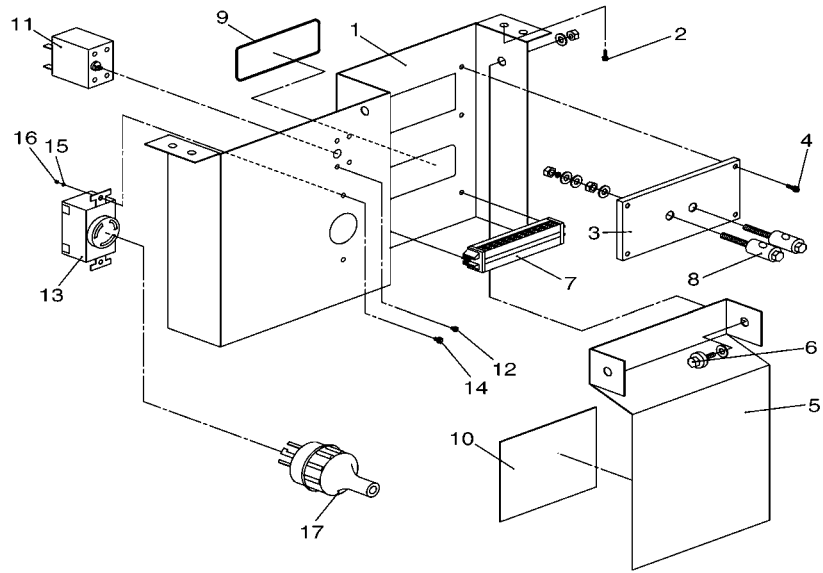
REF. NO.	PART NO.	DESCRIPTION	Q9CD			REMARKS
1	YFT-K3T30-34-96	PANEL (A)	1			
2	YFT-K3T30-35-01	PANEL (B)	1			
3	YFT-K3T30-32-23	PANEL, COVER	1			
4	YFC-30BM3-62	GUM BUSH	2			
5	YFT-KB102-71-30	PLATE	2			
6	YFS-EC36S-PW-G5	SCREW	8			
7	YFS-EC48S-PW-G6	SCREW	12			
8	YFN-Y52A3-7A	BREAKER	1			UR 220V
	YFN-Y52A4-2A	BREAKER	1			UR 120/240V
9	YFT-RR55C-30-0V	METER	1			
10	YFH-W1P2M-5G	LAMP	1			
11	YF1-74787-02-01	PILOT BOX	1			
12	YFT-K8500-00	HOUR METER	1			
13	YF1-52486-35-92	KEY SWITCH	1			
14	YFW-P5W2K-00	VOLTAGE, REGULATOR	1			
15	YFD-ST51D-FK-V0	AVR	1			
16	YF1-56946-59-92	LAMP TIMER	1			
17	YF1-71476-06-04	EMERGENCY UNIT	1			
18	YFT-KTS21-20-8P	TERMINAL	1			
19	YFT-KUKT6-03-J0	TERMINAL	1			
20	YFT-KF66A-D0	HOLDER,FUSE	2			
21	YFT-KF65B-D0	HOLDER,FUSE	6			
22	YFF-71651-5A-25	FUSE(15A)	1			
	YFF-71650-2A-25	FUSE(2A)	1			
23	YFF-71610-1A-25	FUSE(1A)	6			
24	YFT-KKA25-00	CUSHION	4			
25	YFT-K1PWM-05-E5	WASHER	8			




Q9CD600-F310

FIG. 31 ELECTRICAL 2

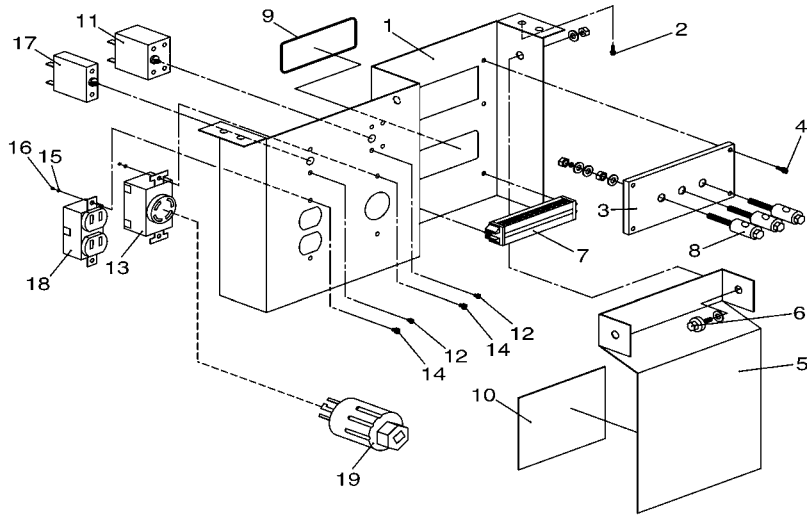
REF. NO.	PART NO.	DESCRIPTION	Q9CD			REMARKS
26	YFT-KWMS0-50	WASHER,SPRING	8			
27	YFT-K1NM0-5A-50	NUT	8			
28	YFS-EC425-SP-G5	SCREW (AVR)	4			
29	YFS-EC615-SP-G5	SCREW	1			
30	YFS-EC640-SP-G5	SCREW	2			
31	YFT-K3T10-33-35	HARNESS	1			
32	YF2-24204-70	RELAY	1			
33	YF2-24039-13-93	RELAY BASE	1			
34	YFS-EC515-SP-G5	SCREW	1			




Q9CD600-F320

FIG. 32 ELECTRICAL 3

REF. NO.	PART NO.	DESCRIPTION	Q9CD			REMARKS
1	YFT-K3T30-34-94	PLATE, TERMINAL	1			220V
2	YFS-M625S-PW-A6	BOLT	4			
3	YFT-K4T50-15-82	PLATE	1			220V
4	YFS-M625S-PW-A6	BOLT	4			
5	YFT-K3T30-34-95	COVER	1			
6	YFT-K3T20-14-68	BOLT	2			
7	YFT-KJTP2-01-2P	TERMINAL	1			
8	YFT-K4430-04-20	TERMINAL, ASSY	2			
9	YFT-KG016-L3-38	GUM COVER	1			
10	YFT-K4T50-15-95	SHEET	1			
11	YFI-CS252-P2-0A	CIRCUIT PROTECTOR	1			
12	YFS-EC38S-PW-G5	SCREW	4			
13	YFM-H2875-T0-10	RECEPTACLE	1			250V-20A
14	YFS-EC415-SP-G5	SCREW, AVR	2			
15	YFT-K1PWM-04-E5	WASHER	2			
16	YFT-K1NM0-4A-50	NUT	2			
17	YFM-H2583-00	PLUG	1			




 Q9CD600-F330

FIG. 33 ELECTRICAL 4

REF. NO.	PART NO.	DESCRIPTION	Q9CD			REMARKS
1	YFT-K3T30-34-97	PLATE, TERMINAL	1			120/240V
2	YFS-M625S-PW-A6	BOLT	4			
3	YFT-K4T50-15-69	PLATE	1			120/240V
4	YFS-M625S-PW-A6	BOLT	4			
5	YFT-K3T30-34-95	COVER	1			
6	YFT-K3T20-14-68	BOLT	2			
7	YFT-KJTP2-01-2P	TERMINAL	1			
8	YFT-K4430-04-20	TERMINAL, ASSY	3			
9	YFT-KG016-L3-38	GUM COVER	1			
10	YFT-K4T50-15-95	SHEET	1			
11	YFI-CS252-P3-0A	CIRCUIT PROTECTOR	1			
12	YFS-EC38S-PW-G5	SCREW	6			
13	YF4-310L1-40	RECEPTACLE	1			120/240V
14	YFS-EC415-SP-G5	SCREW, AVR	4			
15	YFT-K1PWM-04-E5	WASHER	4			
16	YFT-K1NM0-4A-50	NUT	4			
17	YFI-CS251-P1-5A	CIRCUIT PROTECTOR	1			
18	YFM-E2817-T0-10	RECEPTACLE	1			125V-15A
19	YF4-312NL-14	PLUG	1			

NUMERICAL INDEX

PART NO.	REF. NO.	PART NO.	REF. NO.	PART NO.	REF. NO.	PART NO.	REF. NO.	PART NO.	REF. NO.	PART NO.	REF. NO.
YF0-10235-06-10	4 - 26	YF1-21826-32-90	19 - 11	YF0-45126-00-80	6 - 30	YF1-52486-37-02	20 - 4	YF1-55316-41-40	18 - 5	YF1-58412-41-10	3 - 26
YF0-10235-06-12	4 - 8	YF2-24039-13-93	31 - 33		13 - 21	YF1-52610-33-70	1 - 5	YF1-55316-41-90	18 - 14	YF1-58413-56-60	7 - 12
	5 - 14	YF2-24204-70	31 - 32		16 - 9	YF1-52611-17-20	14 - 14	YF1-55316-42-92	18 - 10	YF1-58413-69-30	6 - 15
YF0-10235-06-14	4 - 14	YF1-25996-44-20	18 - 19		18 - 24	YF1-52612-13-30	3 - 18	YF1-55316-43-63	18 - 8	YF1-58413-90-10	7 - 15
YF0-10235-06-16	8 - 4	YF3-27215-82-42	14 - 9		19 - 34		21 - 28	YF1-55317-24-02	10 - 5	YF1-58414-25-01	12 - 2
	13 - 3	YF3-27215-82-82	14 - 4	YF1-46010-34-50	1 - 10	YF1-52612-35-30	3 - 31	YF1-55317-24-10	10 - 6	YF1-58415-10-30	11 - 4
	18 - 25	YF0-27515-00-60	4 - 29	YF1-46011-32-40	4 - 18	YF1-52612-35-40	3 - 32	YF1-55317-24-22	10 - 12	YF1-58415-10-70	11 - 14
YF0-10235-06-18	6 - 6	YF0-27565-00-60	16 - 5	YF1-46011-33-30	4 - 19	YF1-52612-39-50	3 - 31	YF1-55317-24-32	10 - 8	YF1-58415-12	11 - 11
	15 - 3	YF0-27615-00-40	12 - 28	YF1-46011-33-60	4 - 20	YF1-52612-39-60	3 - 31	YF1-55317-24-42	10 - 10	YF1-58415-12-30	11 - 5
	17 - 15	YF0-27835-01	7 - 14	YF1-46011-42-40	4 - 34	YF1-52612-39-70	3 - 32	YF1-55317-41-40	18 - 7	YF1-58415-12-40	11 - 6
YF0-10235-06-20	3 - 8	YF0-30245-05-10	1 - 17	YF1-46011-43-10	4 - 31	YF1-52612-39-80	3 - 32	YF1-55317-41-80	18 - 6	YF1-58415-12-50	11 - 15
YF0-10235-06-22	3 - 9	YF0-30245-05-20	12 - 25	YF1-46011-44-10	4 - 28	YF1-52614-20-10	11 - 36		18 - 12	YF1-58415-12-70	11 - 18
	8 - 11	YFC-30BM3-62	31 - 4	YF0-46120-01-70	5 - 12	YF1-52615-54-70	5 - 9	YF1-55319-30-10	18 - 13	YF1-58415-12-80	11 - 17
YF0-10235-06-35	8 - 20	YF4-310L1-40	33 - 13	YF0-48100-00-60	13 - 11	YF1-52616-41-50	18 - 15	YF1-55332-51-62	6 - 25	YF1-58415-12-90	11 - 19
	5 - 26	YF4-312NL-14	33 - 19	YF0-48140-01-60	7 - 6	YF1-52616-64-10	5 - 23	YF1-56019-66-50	1 - 25	YF1-58415-13-20	11 - 25
YF0-10235-06-38	8 - 21	YFK-35118-14-30	19 - 7	YF0-48140-61-30	6 - 4	YF1-52619-20-20	17 - 3		12 - 5	YF1-58415-13-50	11 - 27
YF0-10235-06-45	15 - 4	YFK-35118-14-50	19 - 10	YF0-48141-00-70	17 - 28	YF1-52619-20-30	18 - 16		17 - 9	YF1-58415-13-60	12 - 4
YF0-10235-06-75	6 - 10	YFK-35118-14-60	19 - 13	YF0-48141-01-60	17 - 22	YF1-52619-30-10	18 - 9		17 - 17	YF1-58415-13-80	11 - 24
YF0-10236-06-50	6 - 7	YFK-35118-14-80	19 - 31	YF0-48141-62-20	3 - 35	YF1-52619-40-20	18 - 18	YF1-56942-39-30	3 - 30	YF1-58415-14-90	11 - 20
	8 - 5	YF1-38019-41	19 - 29	YF0-48145-03	1 - 27	YF1-52619-40-70	18 - 17	YF1-56942-39-40	3 - 30	YF1-58415-15-60	11 - 9
YF0-10236-06-70	6 - 9	YF1-38113-30-80	6 - 18	YF0-48170-62-30	6 - 19	YF1-52619-60-10	1 - 6	YF1-56946-59-90	20 - 1	YF1-58415-31-60	12 - 12
YF0-10535-06-18	17 - 16	YF1-38166-34-60	19 - 21	YF1-49114-27-50	11 - 37		2 - 5	YF1-56946-59-92	31 - 16	YF1-58415-31-70	12 - 10
YF0-11235-08-16	1 - 2	YFT-3T301-70-0L	23 - 6		21 - 19	YF1-52619-61-60	2 - 8	YF1-57073-37-50	7 - 3	YF1-58415-32-30	12 - 9
YF0-11235-08-22	6 - 27	YFT-3T301-70-0R	23 - 11	YF1-49586-30-50	19 - 17	YF1-52631-23-70	16 - 7	YF0-57120-04-08	7 - 13		12 - 17
YF0-11235-08-25	19 - 32	YFT-3T301-70-5R	25 - 7	YF1-49586-31-70	19 - 19	YF1-53219-62-60	1 - 4	YF0-57120-05-15	3 - 27	YF1-58415-33-50	12 - 11
YF0-11236-08-14	7 - 7	YFT-3T303-48-9L	25 - 6	YF1-49586-32-60	19 - 14	YF1-53711-12-52	14 - 10		5 - 5	YF1-58415-36-22	12 - 18
YF0-11535-08-12	6 - 29	YFT-3T303-48-9R	25 - 5	YF1-49586-32-70	19 - 15	YF1-53711-18-70	14 - 11	YF0-57120-05-18	4 - 6	YF1-58415-38-50	12 - 23
YF0-11535-08-55	18 - 21	YFT-3T303-50-5L	25 - 2	YF1-49586-33-80	19 - 3	YF1-53934-30-17	13 - 4	YF1-58215-20-30	13 - 1	YF1-58415-38-60	12 - 24
YF0-11535-08-65	13 - 19	YFT-3T303-50-5R	25 - 1	YF1-49586-35-30	19 - 12	YF1-53934-31	13 - 12	YF1-58410-45-40	3 - 2	YF1-58415-40-92	17 - 2
YF3-12201-41-70	6 - 28	YFT-3T303-50-6L	25 - 4	YF1-49589-40-10	19 - 22	YF1-53934-35-80	13 - 13		3 - 11	YF1-58415-41-02	17 - 1
YF0-13111-06-20	11 - 32	YFT-3T303-50-6R	25 - 3	YF1-49589-40-20	19 - 23	YF1-54016-33-90	19 - 16		3 - 13	YF1-58415-41-22	17 - 7
YF1-14201-31-50	4 - 22	YFT-3T303-51-2L	25 - 8	YF1-49589-40-30	19 - 24	YF0-54110-03-14	17 - 27	YF1-58410-45-62	3 - 14	YF1-58415-42-20	17 - 4
YF1-14606-33-20	19 - 28	YF0-40136-00-80	1 - 21	YF1-49589-40-40	19 - 25	YF0-54110-03-18	5 - 22	YF1-58410-48-03	3 - 4	YF1-58415-42-70	17 - 6
YF0-15135-06-18	16 - 4		13 - 20	YF1-49714-27-50	12 - 3	YF0-54110-04-20	4 - 30	YF1-58410-48-10	3 - 5	YF1-58415-54-50	5 - 6
YF0-15135-08-22	16 - 6		18 - 22		21 - 20	YF1-54519-62-70	2 - 4	YF1-58410-48-22	3 - 7	YF1-58415-56-90	5 - 7
YF1-15216-58-60	21 - 6	YF3-41503-45-90	20 - 6	YF0-50120-05-08	2 - 9	YF1-54717-24-40	10 - 9	YF1-58410-51-40	1 - 13	YF1-58415-60-60	5 - 19
YF0-17545-06-12	17 - 13	YF1-42611-24-33	16 - 12	YF0-50120-08-14	2 - 10	YF1-54817-30-50	8 - 16	YF1-58410-51-50	1 - 14	YF1-58415-61-12	17 - 20
YF0-17545-06-14	9 - 4	YF1-42789-20-10	19 - 27	YF1-50213-36-60	17 - 5	YF1-55017-24-70	10 - 11	YF1-58410-53-70	1 - 16	YF1-58415-61-30	5 - 20
YF0-17545-06-40	4 - 28	YF1-43014-35-22	13 - 6	YF1-52210-17-50	1 - 1	YF1-55018-82-10	10 - 7	YF1-58410-55-10	1 - 18	YF1-58415-61-50	5 - 21
YF0-17595-06-16	16 - 3	YF1-43014-35-70	13 - 18	YF1-52211-17-20	14 - 13	YF1-55046-35	19 - 6	YF1-58410-56-70	1 - 15	YF1-58415-62-30	5 - 25
YF1-19827-24-60	10 - 13	YF1-43014-35-90	13 - 15	YF1-52213-36-50	2 - 11	YF1-55046-35-30	19 - 5	YF1-58411-35-40	1 - 7	YF1-58415-62-80	6 - 3
YF0-20565-00-60	6 - 22	YF1-43014-36-50	13 - 16	YF1-52213-37-50	21 - 23	YF1-55219-60-20	2 - 6	YF1-58411-35-60	1 - 8	YF1-58415-64-80	5 - 15
YF0-21145-00-80	1 - 20	YF1-43014-38-20	13 - 7	YF1-52218-82-10	6 - 21	YF1-55219-60-30	2 - 7	YF1-58411-40-30	4 - 32	YF1-58415-71-12	17 - 19
	16 - 8	YF1-43014-38-30	13 - 8	YF1-52313-39-60	2 - 12	YF1-55219-60-33	6 - 2	YF1-58411-42-30	4 - 33	YF1-58415-72-12	17 - 14
	18 - 23	YF1-43014-38-40	13 - 9	YF1-52314-35-60	13 - 17	YF1-55316-40-40	18 - 4	YF1-58411-46-20	1 - 24	YF1-58417-29-22	8 - 3
	19 - 33	YF0-45126-00-50	5 - 24	YF1-52413-22-90	6 - 11	YF1-55316-40-72	18 - 11	YF1-58411-62-70	4 - 7	YF1-58417-30-20	2 - 15
YF1-21816-30-80	19 - 18	YF0-45126-00-60	6 - 23	YF1-52486-35-90	20 - 2	YF1-55316-41-10	18 - 3	YF1-58411-63-20	5 - 13	YF1-58417-32-60	8 - 9
YF1-21816-32-20	19 - 20		11 - 35	YF1-52486-35-92	31 - 13	YF1-55316-41-22	18 - 2	YF1-58412-32-50	3 - 33	YF1-58417-42-50	10 - 2

NUMERICAL INDEX

PART NO.	REF. NO.	PART NO.	REF. NO.	PART NO.	REF. NO.	PART NO.	REF. NO.	PART NO.	REF. NO.	PART NO.	REF. NO.
YF1-58419-10-10	6 - 8	YF1-58419-88	12 - 17	YF1-58782-50-10	6 - 24	YF1-68515-37-22	12 - 21	YF1-72089-10-40	10 - 4	YF0-96618-02-60	21 - 17
YF1-58419-10-50	7 - 11	YF1-58419-88-10	12 - 17	YF1-58810-55-50	1 - 12	YF1-68515-77-23	17 - 26	YF1-72886-58-30	21 - 1	YF0-96618-07-25	21 - 16
YF1-58419-15	11 - 33	YF1-58419-88-20	12 - 17	YF1-58810-55-90	1 - 19	YF1-68516-00-10	17 - 12	YF1-72886-58-80	21 - 3	YF1-98446-57-70	21 - 14
YF1-58419-15-10	9 - 11	YF1-58419-88-30	12 - 17	YF1-58812-33-10	3 - 34	YF1-68516-55-10	12 - 26	YF1-73315-91-90	2 - 13	YF1-98719-10-31	18 - 20
YF1-58419-20-20	17 - 8	YF1-58419-88-40	12 - 17	YF1-58817-34-32	8 - 19	YF1-68517-32-70	8 - 10	YF1-74563-64-22	7 - 16	YF1-98726-58-40	21 - 2
YF1-58419-20-30	12 - 8	YF1-58419-88-50	12 - 17	YF1-58819-10-30	18 - 28	YF1-68517-33-50	8 - 6	YF1-74725-60-54	5 - 17	YF6-A1003-11-60	19 - 2
YF1-58419-23-20	11 - 34	YF1-58419-88-60	12 - 17	YF1-58819-70-10	18 - 26	YF1-68519-62-60	2 - 2	YF1-74786-00-80	20 - 7	YF6-A1003-11-70	19 - 4
YF1-58419-23-30	17 - 10	YF1-58419-88-70	12 - 17	YF1-59717-41-10	10 - 1	YF1-68519-62-70	2 - 3	YF1-74787-02-01	20 - 5	YF6-A1003-11-90	19 - 9
YF1-58419-31-10	11 - 23	YF1-58419-88-80	12 - 17	YF1-60005-60-40	5 - 18	YF1-68532-10-50	3 - 16		31 - 11	YF6-A1008-25-20	14 - 2
YF1-58419-40-10	6 - 12	YF1-58419-88-90	12 - 17	YF1-60005-60-50	5 - 17		21 - 27	YF1-75316-40-10	18 - 1	YF6-A1008-25-30	14 - 3
YF1-58419-40-22	4 - 25	YF1-58419-89	12 - 17	YF1-60015-30-01	12 - 7	YF1-68532-10-90	3 - 16	YF1-75388-30-40	8 - 12	YF6-A1008-25-50	14 - 5
YF1-58419-40-40	12 - 14	YF1-58419-89-10	12 - 17	YF1-60015-39-01	12 - 6	YF1-68533-64-10	7 - 8	YF1-75615-70-13	17 - 18	YF6-A1008-25-70	14 - 6
YF1-58419-45-70	11 - 10	YF1-58419-89-20	12 - 17	YF1-60065-10-10	11 - 2	YF1-68610-40-50	3 - 12	YF0-77150-04-01	4 - 4	YF6-A1008-26-30	14 - 8
YF1-58419-56-80	11 - 1	YF1-58463-31-10	6 - 17	YF1-60065-20-92	11 - 31	YF1-68611-45-13	1 - 22	YF0-77150-08-01	5 - 8	YF6-C0405-54-12	20 - 3
YF1-58419-60-20	1 - 9	YF1-58520-43-60	3 - 3	YF1-60065-21-12	11 - 31	YF1-68611-60-20	5 - 1	YF0-77150-32-07	3 - 24	YF6-C0405-85-81	9 - 5
YF1-58419-66-50	11 - 26	YF1-58523-31-40	1 - 26	YF1-60065-21-22	11 - 31	YF1-68612-30-10	3 - 23	YF0-77150-32-11	6 - 16	YF6-C0405-86-61	9 - 3
YF1-58419-66-60	11 - 28	YF1-58525-14-70	11 - 12	YF1-62219-11-22	7 - 2	YF1-68612-34-80	3 - 30	YF0-77150-32-17	5 - 10	YF6-C0905-85-70	9 - 8
YF1-58419-67-60	11 - 8	YF1-58527-33-40	8 - 18	YF1-62415-44-20	17 - 11	YF1-68612-34-90	3 - 29	YF6-79555-86-30	9 - 7	YF6-C0905-86-30	9 - 6
YF1-58419-81	12 - 16	YF1-58527-35-20	8 - 14	YF1-62417-33-60	8 - 7	YF1-68615-37-32	12 - 22	YF6-79803-11-50	19 - 1	YF6-C0905-86-43	9 - 9
YF1-58419-85-10	12 - 17	YF1-58527-35-50	8 - 15	YF1-62417-33-70	8 - 2	YF1-68616-55-60	12 - 27	YF6-79803-11-80	19 - 8	YF6-C0905-89-60	21 - 24
YF1-58419-85-20	12 - 17	YF1-58533-24-30	6 - 31	YF1-62417-33-71	1 - 12	YF1-68619-33-10	1 - 17	YF6-79808-25-80	14 - 7	YF6-C0955-82-03	14 - 1
YF1-58419-85-30	12 - 17	YF1-58611-17-70	15 - 1	YF1-62629-66-71	7 - 4	YF1-68630-15	7 - 1	YF0-81530-62-03	5 - 3	YF6-C1205-85-01	9 - 1
YF1-58419-85-40	12 - 17	YF1-58611-18-20	15 - 2	YF1-62645-21-40	13 - 2	YF1-68631-16-20	14 - 12	YF6-82716-59-10	21 - 11	YF1-CS251-P1-5A	33 - 17
YF1-58419-85-50	12 - 17	YF1-58611-42-63	4 - 23	YF1-64755-32-80	12 - 13	YF1-68641-23-10	16 - 1	YF6-82716-59-20	21 - 12	YF1-CS252-P2-0A	32 - 11
YF1-58419-85-60	12 - 17	YF1-58612-29-70	3 - 22	YF1-66119-20-20	19 - 26	YF1-68641-60-10	4 - 3	YF1-89013-02-70	21 - 21	YF1-CS252-P3-0A	33 - 11
YF1-58419-85-70	12 - 17	YF1-58612-29-80	3 - 22	YF1-66456-58-30	21 - 5	YF1-68641-65-10	4 - 5		26 - 2	YF1-E0510-40-23	6 - 1
YF1-58419-85-80	12 - 17	YF1-58612-34-70	3 - 28	YF1-68510-40-40	3 - 10	YF1-68665-73-02	17 - 30	YF1-90775-36-50	12 - 19	YF1-E0517-30-32	8 - 13
YF1-58419-85-90	12 - 17	YF1-58612-38-60	3 - 29	YF1-68510-40-92	3 - 1	YF1-68669-20-10	17 - 24	YF1-91041-24-11	16 - 11	YF1-E0517-35-12	8 - 17
YF1-58419-86	12 - 17	YF1-58612-38-70	3 - 29	YF1-68511-32-80	4 - 21	YF1-68710-33-10	21 - 29	YFE-91513-31-40	1 - 26	YFM-E2817-T0-10	33 - 18
YF1-58419-86-10	12 - 17	YF1-58612-39-10	3 - 28	YF1-68511-51-10	4 - 2	YF1-68710-33-12	1 - 11	YF1-92037-30-10	8 - 8	YFS-EC36S-PW-G5	31 - 6
YF1-58419-86-20	12 - 17	YF1-58612-39-20	3 - 28	YF1-68511-55-50	4 - 1	YF1-68711-44-30	4 - 24	YF1-92044-31-10	13 - 5	YFS-EC38S-PW-G5	32 - 12
YF1-58419-86-30	12 - 17	YF1-58615-10-60	11 - 21	YF1-68511-62-12	2 - 14	YF1-68711-45-21	1 - 23	YF1-92044-32-80	13 - 10		33 - 12
YF1-58419-86-40	12 - 17	YF1-58615-14-30	11 - 16	YF1-68512-11-12	3 - 15	YF1-68712-13-10	3 - 17	YF1-92152-32-80	3 - 25	YFS-EC415-SP-G5	32 - 14
YF1-58419-86-50	12 - 17	YF1-58615-15-40	11 - 22		21 - 26	YF1-68719-73-01	5 - 11	YF1-92156-37-50	21 - 13		33 - 14
YF1-58419-86-60	12 - 17	YF1-58619-10-10	11 - 29	YF1-68512-19	3 - 15	YF1-68730-10-10	2 - 1	YF1-92159-91-60	3 - 6	YFS-EC425-SP-G5	31 - 28
YF1-58419-86-70	12 - 17	YF1-58619-66-50	11 - 30	YF1-68512-19-80	3 - 20	YF1-68730-30-42	1 - 3	YF1-92376-58-80	21 - 9	YFS-EC48S-PW-G6	31 - 7
YF1-58419-86-80	12 - 17	YF1-58620-41-32	6 - 5	YF1-68512-20-10	3 - 19	YF1-68730-30-48	1 - 3	YF1-92376-59-10	21 - 4	YFS-EC515-SP-G5	31 - 34
YF1-58419-86-90	12 - 17	YF1-58624-25-02	12 - 1	YF1-68512-21-40	3 - 21	YF1-68732-10-20	21 - 25		21 - 7	YFS-EC516-SP-G5	26 - 6
YF1-58419-87	12 - 17	YF1-58629-14-30	11 - 13	YF1-68512-23-20	3 - 22	YF1-68738-84-30	13 - 14		21 - 10	YFS-EC615-SP-G5	31 - 29
YF1-58419-87-10	12 - 17	YF1-58751-61-70	5 - 2	YF1-68513-21-10	7 - 5	YF1-68757-27-04	8 - 1	YF1-92805-72-40	17 - 21	YFS-EC640-SP-G5	31 - 30
YF1-58419-87-20	12 - 17	YF1-58752-40-13	4 - 9	YF1-68513-50-12	7 - 9	YF1-68757-42-80	18 - 27	YF0-93188-81-25	1 - 31	YF3-F7605-67-50	9 - 12
YF1-58419-87-30	12 - 17	YF1-58752-42-50	4 - 13	YF1-68513-51-52	7 - 10	YF1-68785-77-42	17 - 25	YF0-93188-90-30	9 - 10	YF1-G0315-42-12	17 - 8
YF1-58419-87-40	12 - 17	YF1-58752-42-82	4 - 10	YF1-68513-69-50	6 - 14	YF1-68785-79-20	17 - 29	YF1-94286-58-30	21 - 8	YF1-G3181-23-51	16 - 2
YF1-58419-87-50	12 - 17	YF1-58752-43-20	4 - 12	YF1-68515-10-50	11 - 3	YF1-70537-41-50	10 - 3	YF1-94615-64-10	5 - 16	YF1-G6395-71-50	17 - 23
YF1-58419-87-60	12 - 17	YF1-58752-43-70	4 - 11	YF1-68515-11-50	5 - 4	YF1-71476-06-04	31 - 17	YF1-94618-81-32	6 - 20	YF1-G6861-21-21	4 - 17
YF1-58419-87-70	12 - 17	YF1-58759-93-40	4 - 15	YF1-68515-12-20	11 - 7	YFF-71610-1A-25	31 - 23	YF1-96169-20-10	19 - 30	YF1-G6861-31-11	4 - 16
YF1-58419-87-80	12 - 17	YF1-58770-41-40	6 - 13	YF1-68515-36-10	12 - 15	YFF-71650-2A-25	31 - 22	YF0-96614-06-75	21 - 18	YF1-G8010-51-21	1 - 30
YF1-58419-87-90	12 - 17	YF1-58780-46-16	6 - 26	YF1-68515-37-12	12 - 20	YFF-71651-5A-25	31 - 22	YF0-96618-02-50	21 - 15	YF1-G9110-52-03	1 - 29

NUMERICAL INDEX

PART NO.	REF. NO.	PART NO.	REF. NO.	PART NO.	REF. NO.	PART NO.	REF. NO.	PART NO.	REF. NO.	PART NO.	REF. NO.
YF1-G9119-10-22	1 - 24	YFT-K3T30-34-92	27 - 1	YFT-KBM08-30-A5	22 - 2	YFS-M820S-PW-A6	27 - 10				
YF1-G9580-55-12	1 - 18	YFT-K3T30-34-94	32 - 1	YFT-KBM12-65-A5	23 - 15	YFB-M825A-SS-Y0	29 - 11				
YF1-G9581-17-71	15 - 1	YFT-K3T30-34-95	32 - 5	YFT-KF65B-D0	31 - 21	YFS-M825S-PW-A5	25 - 16				
YF1-G9581-43-52	4 - 27		33 - 5	YFT-KF66A-D0	31 - 20	YFS-M830S-PW-A6	25 - 20				
YF1-G9581-45-04	1 - 28	YFT-K3T30-34-96	31 - 1	YFT-KG016-L3-38	32 - 9	YFR-P2015-37-10	20 - 8				
YF1-G9581-45-12	1 - 22	YFT-K3T30-34-97	33 - 1		33 - 9	YFW-P5W2K-00	31 - 14				
YF1-G9581-45-21	1 - 23	YFT-K3T30-35-01	31 - 2	YFT-KJTP2-01-2P	32 - 7	YFT-RR55C-30-0V	31 - 9				
YF1-G9600-55-51	15 - 5	YFT-K3T30-35-11	24 - 5		33 - 7	YFD-ST51D-FK-V0	31 - 15				
YF5-H2154-19-55	20 - 8	YFT-K3T50-12-24	26 - 5	YFT-KKA25-00	31 - 24	YF3-T1030-79-01	29 - 8				
YFM-H2583-00	32 - 17	YFT-K3T50-12-91	30 - 14	YFT-KKA40-33-HO	23 - 2	YF3-T1030-79-02	29 - 6				
YFM-H2875-T0-10	32 - 13	YFT-K3T50-15-74	30 - 6	YFT-KKA45-00	23 - 7	YF3-T1030-79-03	29 - 10				
YF1-K1253-37-40	21 - 22	YFT-K3T50-15-92	30 - 6	YFT-KM516-63-4C	29 - 5	YFK-TWMS0-60	29 - 4				
YF1-K1751-21-11	16 - 10	YFT-K4430-04-20	32 - 8	YFT-KNO63-06-ZZ	22 - 16	YFH-W1P2M-5G	31 - 10				
YF1-K1793-64-12	7 - 8		33 - 8	YFT-KSKM1-50-VS	28 - 1	YFT-WKC00-49-ST	22 - 4				
YF1-K1927-23-31	9 - 2	YFT-K4440-00-23	29 - 2	YFT-KTS21-20-8P	31 - 18	YFT-WKC01-21-RT	22 - 15				
YFT-K1NM0-4A-50	32 - 16	YFT-K4440-00-9B	29 - 7	YFT-KUKT6-03-J0	31 - 19	YFT-WKC01-21-ST	22 - 7				
	33 - 16	YFT-K4440-00-9R	29 - 9	YFT-KWMS0-50	31 - 26	YFT-WKC01-24-ST	22 - 7				
YFT-K1NM0-5A-50	31 - 27	YFT-K4700-07-40	30 - 12	YFT-KWMS0-60	22 - 6	YFN-Y52A3-7A	31 - 8				
YFT-K1NM0-6A-50	22 - 14	YFT-K4700-08-10	30 - 13		22 - 12	YFN-Y52A4-2A	31 - 8				
	25 - 15	YFT-K4E50-10-50	30 - 4	YFT-KWMS0-80	22 - 3	YFT-Y9901-00-0A	26 - 3				
	29 - 3	YFT-K4T30-16-10	29 - 1		22 - 20						
YFT-K1NM0-8A-50	23 - 3	YFT-K4T30-17-11	24 - 1		23 - 4						
	23 - 8	YFT-K4T30-30-19	27 - 6		23 - 9						
	27 - 7	YFT-K4T30-30-29	25 - 17	YFT-KWMS1-00	22 - 9						
YFT-K1NM0-8A-60	24 - 6	YFT-K4T30-34-91	25 - 18		23 - 13						
YFT-K1NM1-2A-50	23 - 16	YFT-K4T30-34-93	27 - 8		29 - 13						
YFT-K1PWM-04-E5	32 - 15	YFT-K4T50-10-42	30 - 3	YFS-M0615-SP-A5	22 - 18						
	33 - 15	YFT-K4T50-10-43	30 - 5	YFB-M1020-C5-12	29 - 12						
YFT-K1PWM-05-E5	31 - 25	YFT-K4T50-11-27	30 - 7	YFB-M1020-C6-12	23 - 12						
YFT-K1PWM-06-E5	22 - 13	YFT-K4T50-11-28	30 - 10	YFS-M1020-SP-A5	28 - 2						
YFT-K1PWM-08-E5	23 - 5	YFT-K4T50-11-29	30 - 11	YFB-M1025-B5-12	22 - 8						
	23 - 10	YFT-K4T50-11-30	30 - 9	YFS-M614S-PW-A6	25 - 14						
YFT-K1PWM-08-E6	24 - 7	YFT-K4T50-15-69	33 - 3		25 - 19						
YFT-K1PWM-10-E5	23 - 14	YFT-K4T50-15-77	30 - 2	YFS-M625S-PW-A6	27 - 4						
	29 - 14	YFT-K4T50-15-78	30 - 2		32 - 2						
YFT-K3700-03-10	30 - 8	YFT-K4T50-15-82	32 - 3		32 - 4						
YFT-K3T10-33-35	31 - 31	YFT-K4T50-15-83	30 - 15		33 - 2						
YFT-K3T20-10-65	22 - 17	YFT-K4T50-15-84	30 - 15		33 - 4						
YFT-K3T20-14-68	32 - 6	YFT-K4T50-15-85	30 - 16	YFS-M816S-PW-A6	25 - 11						
	33 - 6	YFT-K4T50-15-86	30 - 1		25 - 12						
YFT-K3T30-17-19	22 - 10	YFT-K4T50-15-87	30 - 1		25 - 13						
YFT-K3T30-18-86	22 - 1	YFT-K4T50-15-95	32 - 10		26 - 4						
YFT-K3T30-28-07	25 - 9		33 - 10	YFS-M820S-PW-A6	24 - 2						
YFT-K3T30-32-23	31 - 3	YFT-K8500-00	31 - 12		24 - 4						
YFT-K3T30-34-84	27 - 5	YFT-KB102-71-30	31 - 5		25 - 10						
YFT-K3T30-34-86	23 - 1	YFT-KBM06-35-A5	22 - 5		27 - 2						
YFT-K3T30-34-88	26 - 1		22 - 11		27 - 3						
YFT-K3T30-34-90	24 - 3	YFT-KBM08-20-C5	22 - 19		27 - 9						