



PARTS CATALOGUE

MZ300 (7CR1/2/B/C) OTHER

MZ300
PARTS CATALOGUE
©2006 by Yamaha Motor Co., Ltd.
1st edition, May 2006
All rights reserved.
Any reprinting or unauthorized use
without the written permission of
Yamaha Motor Co., Ltd.
is expressly prohibited.
Printed in Japan.

FOREWORD

This Parts Catalogue is related to the parts for the model(s) on the cover page. When you are ordering replacement parts, please refer to this Parts Catalogue and quote both part numbers and part names correctly.

1. Modifications or additions which have been made after the issue of the Parts Catalogue will be announced in the Parts News.

It is advisable that you make the necessary corrections to the Parts Catalogue according to the Parts News.

2. Abbreviations

The following abbreviations are used in this Parts Catalogue.

“UR” Use specified parts number.

“UN” Use as many as needed.

“AP” Alternate Parts

“LM” Locally Made (Parts need to be ordered locally)

“F#” Frame No. (Applicable machine No.)

“O/S” Over Size

3. The number of components for assembly

- Parts, which are to be supplied in an assembly, are listed with a dot (.) in front of the part name as shown below.
- The numeral appearing to the right of each component part indicates the quantity of parts for each assembly unit.

PART NO.	DESCRIPTION	Q'TY	REMARKS
2F5-83310-60	FRONT FLASHER LIGHT ASSY	2	
115-83311-60	.BULB (6V-18W)	1	

4. Applicable colours of graphics are represented in the “REMARKS” as shown below.

PART NO.	DESCRIPTION	Q'TY	REMARKS
2N4-24110-00-X5	FUEL TANK COMP.	2	MXR
3J1-24240-10	.GRAPHIC, FUEL TANK	1	FOR MXR

5. Note that the illustrations for reference in finding parts numbers are not to be used for assembling. When assembling, please use the applicable service manual.

6. The asterisk (*) before a reference number indicates modified items after the first edition.

FOREWORD

Engine Serial No.

This parts catalogue is related to the parts for the models in the list below.

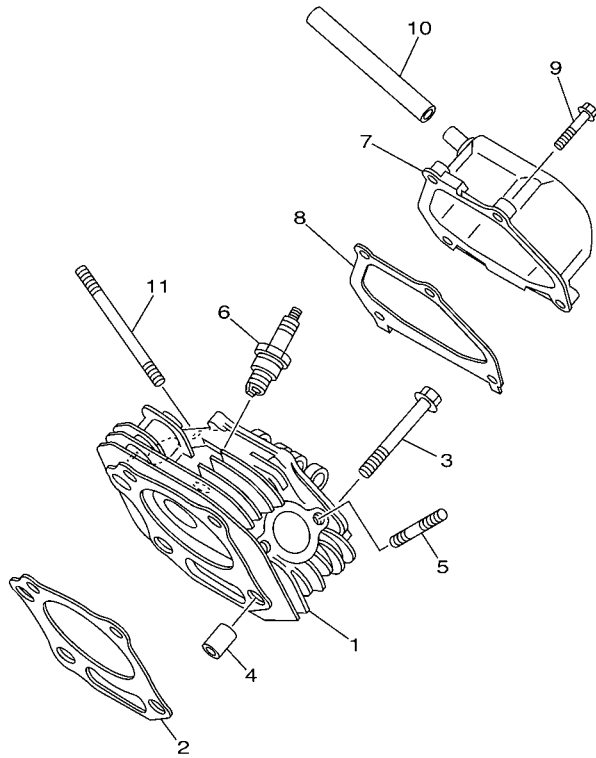
MODEL CODE	MODEL NAME	SPECIFICATION (OUT LINE)	ENGINE SERIAL NO.
7CR1	MZ300A2B	P.T.O. SHAFT A TYPE, MOUNT FACE (UNF)	7CR1-1000101
7CR1	MZ300A2C	P.T.O. SHAFT A TYPE, MOUNT FACE (UNF)	7CR1-2000101
7CR2	MZ300B1T	P.T.O. SHAFT B TYPE, MOUNT FACE (mm) OIL WARNING LESS	7CR2-1000101
7CR2	MZ300B2B	P.T.O. SHAFT B TYPE, MOUNT FACE (mm)	7CR2-2000101
7CR2	MZ300B2BK	P.T.O. SHAFT B TYPE, MOUNT FACE (mm)	7CR2-3000101
7CRB	MZ300K2-60	P.T.O. SHAFT K TYPE, MOUNT FACE (UNF)	7CRB-1000101
7CRB	MZ300K2U	P.T.O. SHAFT K TYPE, MOUNT FACE (UNF) TANK LESS	7CRB-2000101
7CRB	MZ300K2-50	P.T.O. SHAFT K TYPE, MOUNT FACE (UNF)	7CRB-3000101
7CRC	MZ300L2	P.T.O. SHAFT L TYPE, MOUNT FACE (mm)	7CRC-1000101
7CRC	MZ300L2U-EFD	P.T.O. SHAFT L TYPE, MOUNT FACE (mm) TANK LESS	7CRC-4000101

CONTENTS

CYLINDER	1
CRANKSHAFT	2
CRANKSHAFT & PISTON	3
GOVERNOR 1	4
GOVERNOR 2	5
CAMSHAFT & VALVE	6
AIR SHROUD & STARTER	7
INTAKE 1	8
INTAKE 2	9
INTAKE 3	10
CARBURETOR 1	11
CARBURETOR 2	12
CARBURETOR 3	14
EXHAUST	15
CRANKCASE COVER 1	16
FUEL TANK	17
FUEL TANK 2	18
GENERATOR 1	20
GENERATOR 2	21
ELECTRICAL	22
BODY FITTING	23
EMBLEM & LABEL	24

INDEX

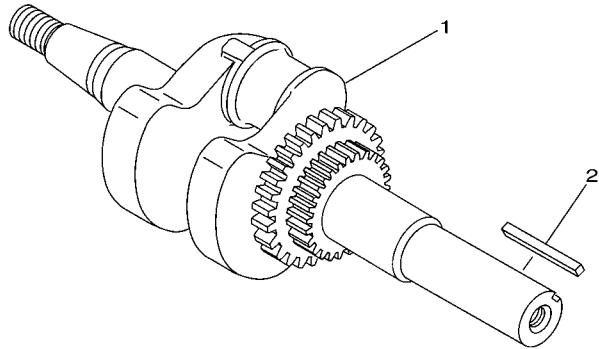
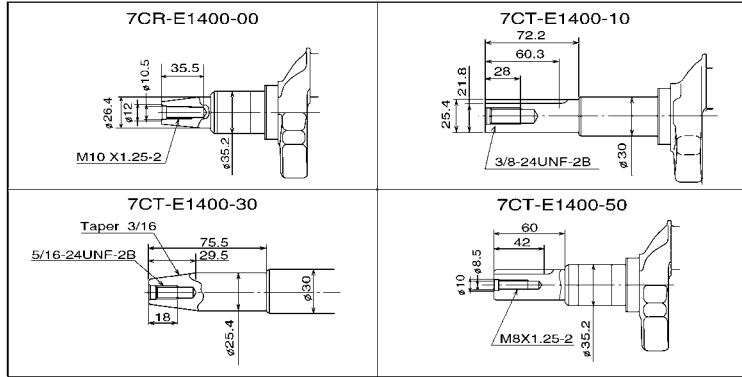
NUMERICAL INDEX	25
-----------------------	----



7UV2171-9010

FIG. 1 CYLINDER

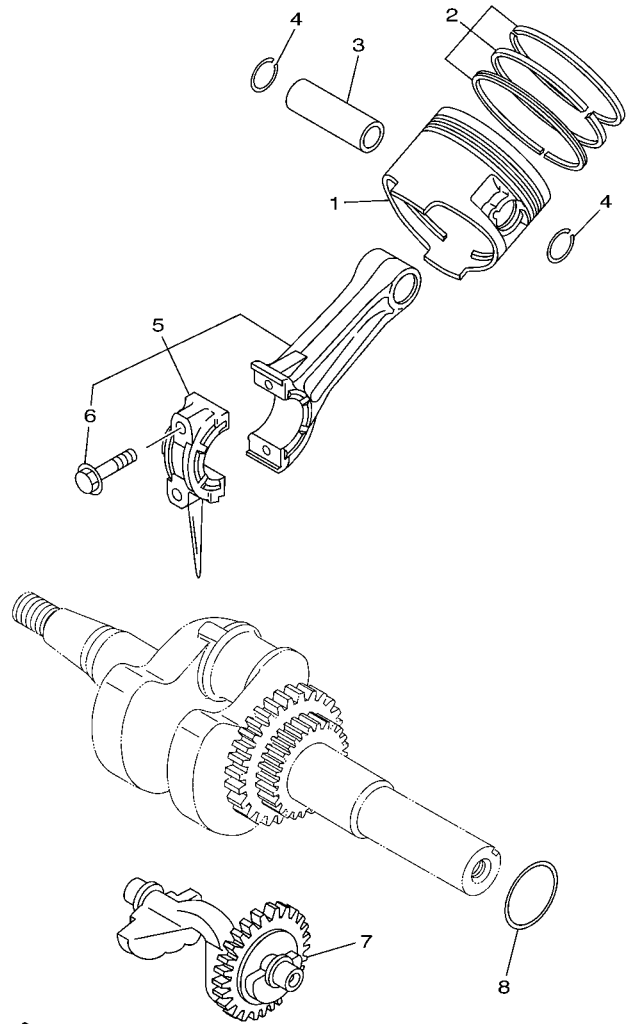
REF. NO.	PART NO.	DESCRIPTION	7CR1	7CR2	7CRB	7CRC	REMARKS
1	7CR-E1111-00	HEAD, CYLINDER 1	1	1	1	1	
2	7CR-E1181-00	GASKET, CYLINDER HEAD 1	1	1	1	1	
3	95817-10070	BOLT, FLANGE	4	4	4	4	
4	99530-14016	PIN, DOWEL	2	2	2	2	
5	95627-08618	BOLT, STUD	2	2	2	2	
6	94702-00819	PLUG, SPARK (NGK BPR4ES)	1	1	1	1	
7	7CT-E1190-00	COVER, CYLINDER HEAD 1	1	1	1	1	
8	7CT-E1193-00	GASKET, HEAD COVER 1	1	1	1	1	
9	95827-06030	BOLT, FLANGE	4	4	4	4	
10	7CT-E1166-00	PIPE, BREATHER 1	1	1	1	1	
11	95607-08700	BOLT, STUD	2	2	2	2	




7CR1400-E020

FIG. 2 CRANKSHAFT

REF. NO.	PART NO.	DESCRIPTION	7CR1	7CR2	7CRB	7CRC	REMARKS
1	7CT-E1400-10	CRANKSHAFT ASSY	1				
	7CT-E1400-50	CRANKSHAFT ASSY		1			
	7CT-E1400-30	CRANKSHAFT ASSY			1		
	7CR-E1400-00	CRANKSHAFT ASSY				1	
2	90282-06037	KEY, STRAIGHT (6.3 MM)	1				
	90282-07061	KEY, STRAIGHT (7.0 MM)		1			



7UH1110-0030

FIG. 3 CRANKSHAFT & PISTON

REF. NO.	PART NO.	DESCRIPTION	7CR1	7CR2	7CRB	7CRC	REMARKS
1	7CR-E1631-00-A0	PISTON (STD)	1	1	1	1	
	7CR-E1635-00	PISTON (0.25MM O/S)	1	1	1	1	AP
	7CR-E1636-00	PISTON (0.50MM O/S)	1	1	1	1	AP
2	7CR-E1610-00	PISTON RING SET (STD)	1	1	1	1	
	7CR-E1610-10	PISTON RING SET (0.25MM O/S)	1	1	1	1	AP
	7CR-E1610-20	PISTON RING SET (0.50MM O/S)	1	1	1	1	AP
3	7CR-E1633-00	PIN, PISTON	1	1	1	1	
4	93450-21833	CIRCLIP	2	2	2	2	
5	7CT-E1650-00	CONNECTING ROD ASSY	1	1	1	1	
6	7CT-E1654-00	.BOLT, CONNECTING ROD	2	2	2	2	
7	7CT-E1454-00	WEIGHT 1	1	1	1	1	
8	7CT-E1561-00	SHIM, CRANK 1	1	1	1	1	UN

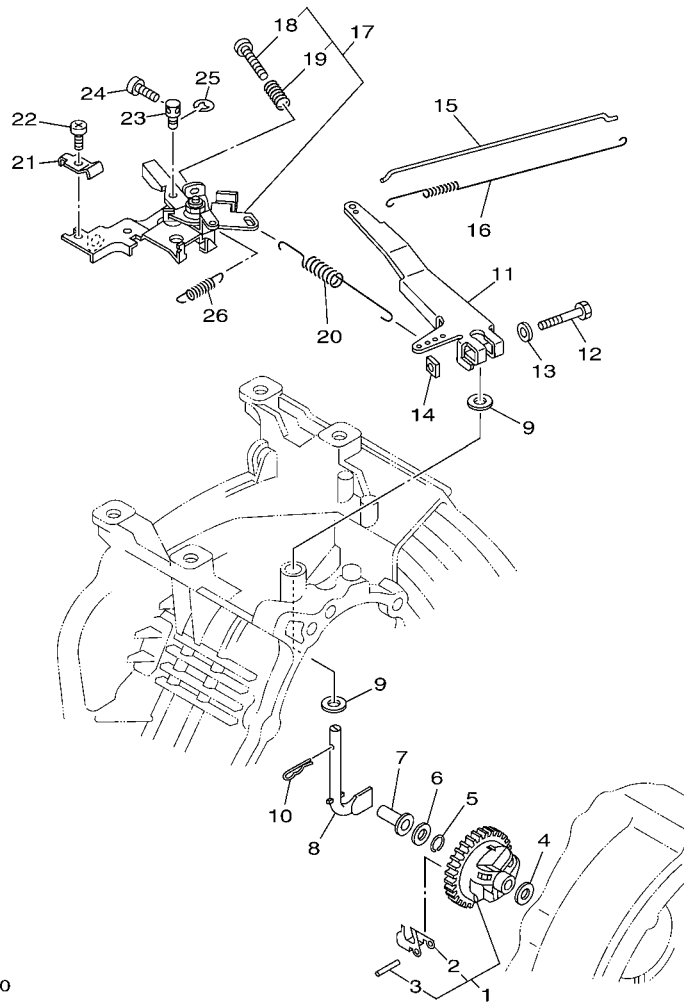


FIG. 4 GOVERNOR 1

REF. NO.	PART NO.	DESCRIPTION	7CR1	7CR2	7CRB	7CRC	REMARKS
1	7CT-E1970-00	FLYWEIGHT SHAFT ASSY.	1	1			
2	7CT-E1913-00	.WEIGHT	3	3			
3	7CN-E1914-00	.SHAFT, WEIGHT	3	3			
4	90201-06842	WASHER, PLATE	1	1			
5	93440-06826	CIRCLIP	1	1			
6	90201-067L0	WASHER, PLATE	1	1			
7	7KY-11917-00	COLLAR	1	1			
8	7CT-E1922-00	FORK, GOVERNOR	1	1			
9	90201-08092	WASHER, PLATE	2	2			
10	90468-12006	CLIP	1	1			
11	7CT-E1924-10	ARM, GOVERNOR	1	1			
12	97027-06030	BOLT	1	1			
13	92907-06600	WASHER, PLATE	1	1			
14	90173-06802	NUT, SQUARE	1	1			
15	7CT-E1928-00	ROD, LINK	1	1			
16	90506-04458	SPRING, TENSION	1	1			
17	7CT-G1240-00	THROTTLE LEVER COMP.	1	1			
18	98507-05025	.SCREW, PAN HEAD	1	1			
19	90501-090A8	.SPRING, COMPRESSION	1	1			
20	7CT-E1925-10	SPRING, GOVERNOR	1	1			
21	7CT-E1933-00	PLATE, ADJUST	1	1			
22	98507-05012	SCREW, PAN HEAD	1	1			
23	7CT-E1932-00	SETTER, WIRE	1	1			
24	98507-04006	SCREW, PAN HEAD	1	1			
25	99001-04600	CIRCLIP	1	1			
26	90506-07412	SPRING, TENSION	1	1			

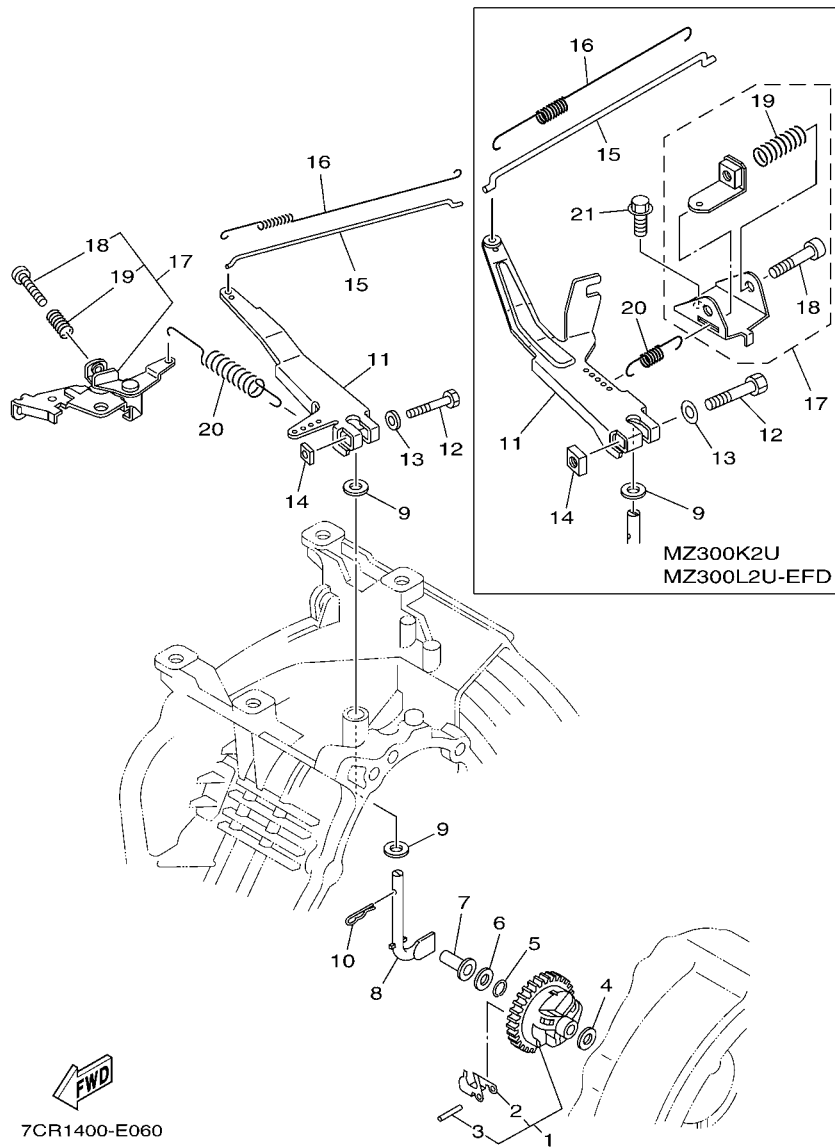
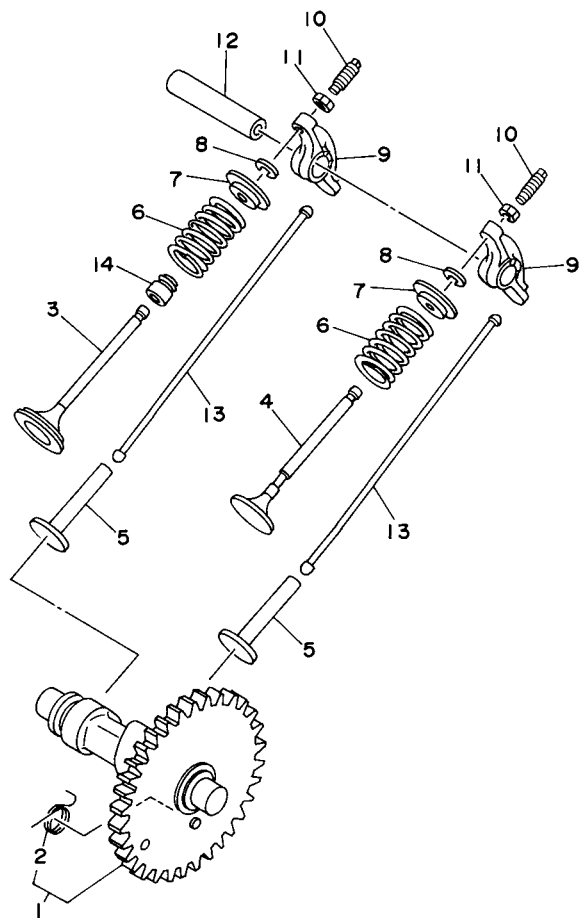


FIG. 5 GOVERNOR 2

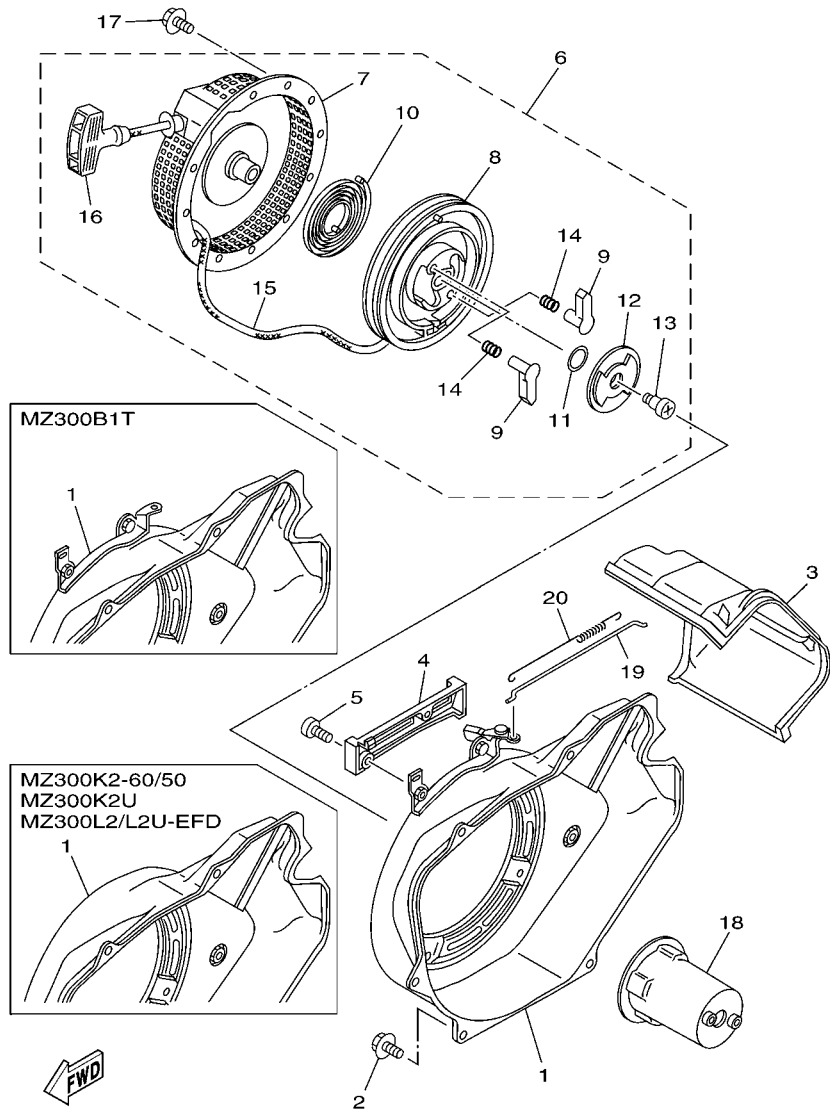
REF. NO.	PART NO.	DESCRIPTION	7CR1	7CR2	7CRB	7CRC	REMARKS
1	7CT-E1970-00	FLYWEIGHT SHAFT ASSY.			1	1	
2	7CT-E1913-00	.WEIGHT			3	3	
3	7CN-E1914-00	.SHAFT, WEIGHT			3	3	
4	90201-06842	WASHER, PLATE			1	1	
5	93440-06826	CIRCLIP			1	1	
6	90201-067L0	WASHER, PLATE			1	1	
7	7KY-11917-00	COLLAR			1	1	
8	7CT-E1922-00	FORK, GOVERNOR			1	1	
9	90201-08092	WASHER, PLATE			2	2	
10	90468-12006	CLIP			1	1	
11	7CT-E1924-10	ARM, GOVERNOR			1	1	FOR OTHER
	7CT-E1901-00	GOVERNOR ASSY			1	1	FOR K2U, L2U-EFD
12	97027-06030	BOLT			1	1	
13	92907-06600	WASHER, PLATE			1	1	
14	90173-06802	NUT, SQUARE			1	1	
15	7CT-E1928-00	ROD, LINK			1	1	
16	90506-04458	SPRING, TENSION			1	1	
17	7CT-E1950-10	ADJUST PLATE COMP.			1	1	FOR OTHER
	7CN-E1950-00	ADJUST PLATE COMP.			1	1	FOR K2U, L2U-EFD
18	98507-05030	.SCREW, PAN HEAD			1	1	FOR OTHER
	98507-06035	.SCREW, PAN HEAD			1	1	FOR K2U, L2U-EFD
19	90501-090A8	.SPRING, COMPRESSION			1	1	FOR OTHER
	90501-10812	.SPRING, COMPRESSION			1	1	FOR K2U, L2U-EFD
20	7CT-E1925-20	SPRING, GOVERNOR			1	1	FOR OTHER
	7CT-E1925-00	SPRING, GOVERNOR			1	1	FOR K2U, L2U-EFD
21	95807-06012	BOLT, FLANGE			1	1	FOR K2U, L2U-EFD

FIG. 6 CAMSHAFT & VALVE



REF. NO.	PART NO.	DESCRIPTION	7CR1	7CR2	7CRB	7CRC	REMARKS
1	7CT-E2170-00	CAMSHAFT ASSY 1	1	1	1	1	
2	7CT-E2287-00	.SPRING, DECOMPRESSION	1	1	1	1	
3	7CT-E2111-00	VALVE, INTAKE	1	1	1	1	
4	7CT-E2121-00	VALVE, EXHAUST	1	1	1	1	
5	7CT-E2153-00	LIFTER, VALVE	2	2	2	2	
6	90501-264A9	SPRING, COMPRESSION	2	2	2	2	
7	J38-12117-01	RETAINER, VALVE SPRING	2	2	2	2	
8	7CT-E2118-00	COTTER, VALVE	2	2	2	2	
9	7CT-E2151-00	ARM, VALVE ROCKER	2	2	2	2	
10	22F-12159-00	SCREW, VALVE ADJUSTING	2	2	2	2	
11	90170-05302	NUT	2	2	2	2	
12	7CT-E2156-00	SHAFT, ROCKER 2	1	1	1	1	
13	7CT-E2154-00	ROD, VALVE PUSH	2	2	2	2	
14	7CT-E2119-00	SEAL, VALVE STEM	1	1	1	1	

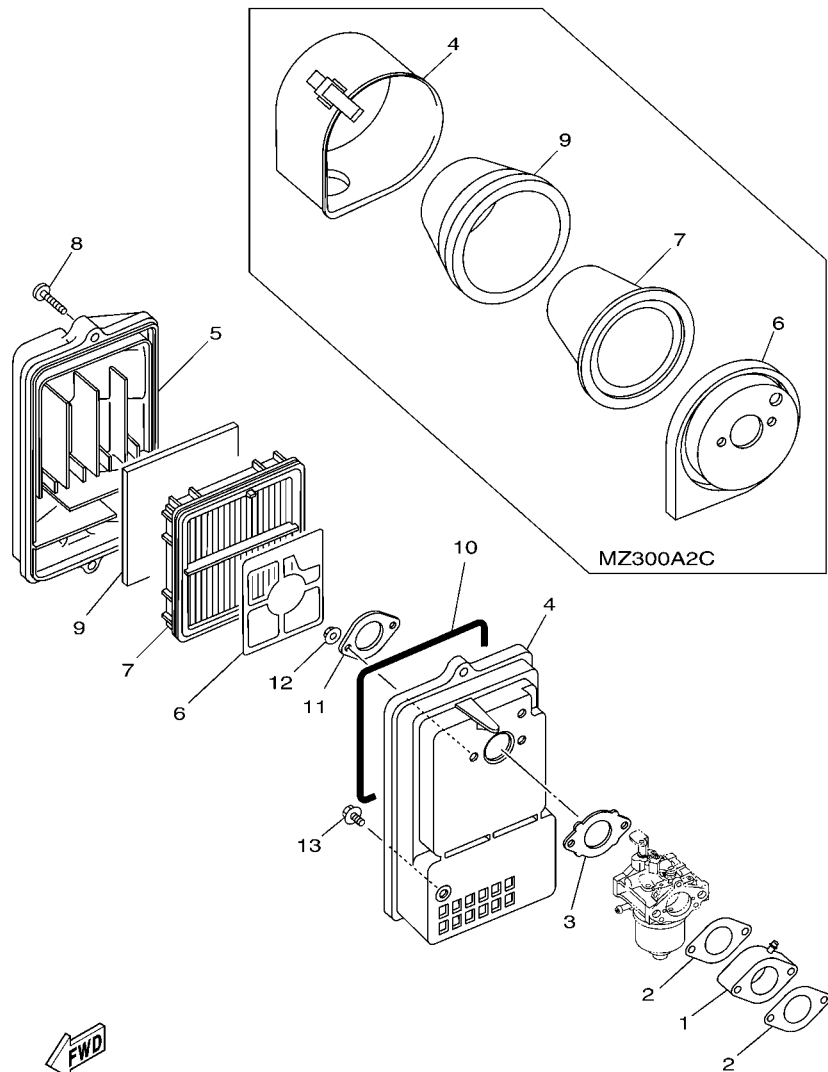
 7RGI400-6040



7CR1400-E080

FIG. 7 AIR SHROUD & STARTER

REF. NO.	PART NO.	DESCRIPTION	7CR1	7CR2	7CRB	7CRC	REMARKS
1	7CT-E2621-00	CASE, FAN	1	1			FOR MZ300B1T
	7CT-E2621-10	CASE, FAN			1	1	
	7CT-E2621-20	CASE, FAN		1			
2	95807-06012	BOLT, FLANGE	5	5	5	5	
3	7CT-E2651-00	AIR SHROUD, CYLINDER 1	1	1	1	1	
4	7CT-G1266-00	COVER, LINK	1	1			
5	98507-05010	SCREW, PAN HEAD	2	2			
6	7CT-E5710-00	STARTER ASSY	1	1	1	1	
7	7CT-15711-00	.CASE, STARTER	1	1	1	1	
8	7CT-15714-00	.DRUM, SHEAVE	1	1	1	1	
9	7CT-15741-00	.PAWL, DRIVE	2	2	2	2	
10	7CT-15713-00	.SPRING, STARTER	1	1	1	1	
11	7CN-15715-00	.SPRING, FRICTION	1	1	1	1	
12	7CT-15716-00	.PLATE, DRIVE	1	1	1	1	
13	7CN-15793-00	.SCREW	1	1	1	1	
14	7CN-15743-00	.SPRING, RETURN	2	2	2	2	
15	7CT-15751-00	.WIRE, STARTER	1	1	1	1	
16	7CN-15755-00	.HANDLE, STARTER	1	1	1	1	
17	95807-06008	BOLT, FLANGE	4	4	4	4	
18	7CT-E5723-00	PULLEY, STARTER	1	1	1	1	
19	7CT-G1256-00	ROD, CHOKE 1	1	1			EXCEPT NZ300B1T
20	90506-04421	SPRING, TENSION	1	1			EXCEPT NZ300B1T



7CR1400-E090

FIG. 8 INTAKE 1

REF. NO.	PART NO.	DESCRIPTION	7CR1	7CR2	7CRB	7CRC	REMARKS
1	7CT-E3596-00	JOINT, CARBURETOR 2	1				
2	7CT-E3557-00	GASKET	2				
3	7CT-E3567-00	GASKET	1				
4	7RH-14411-01	CASE, AIR CLEANER 1	1				
	7RK-14411-20	CASE, AIR CLEANER 1	1				FOR MZ300A2C
5	7RH-14412-01	CAP, CLEANER CASE 1	1				
6	7RH-14468-00	PLATE,ELEMENT FITTING	1				
	7RK-14468-20	PLATE,ELEMENT FITTING	1				FOR MZ300A2C
7	7RK-14451-10	ELEMENT, AIR CLEANER	1				
	7RK-14451-20	ELEMENT, AIR CLEANER	1				FOR MZ300A2C
8	7RH-14429-00	SCREW	2				EXCEPT MZ300A2C
9	7RK-14461-10	ELEMENT, AIR CLEANER 2	1				
	7RK-14461-20	ELEMENT, AIR CLEANER 2	1				FOR MZ300A2C
10	7RK-14462-10	SEAL	1				EXCEPT MZ300A2C
11	7CT-E4477-00	PLATE	1				EXCEPT MZ300A2C
12	95707-08500	NUT, FLANGE	2				
13	95807-06016	BOLT, FLANGE	1				EXCEPT MZ300A2C

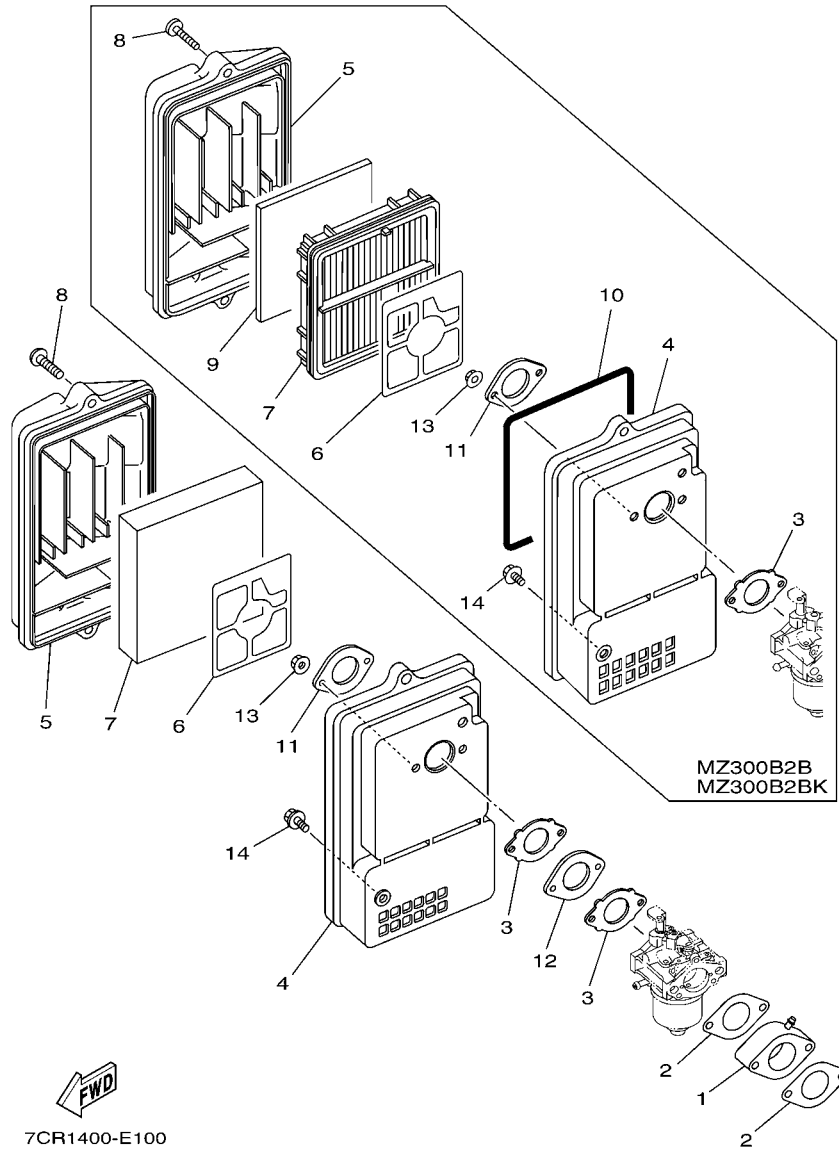
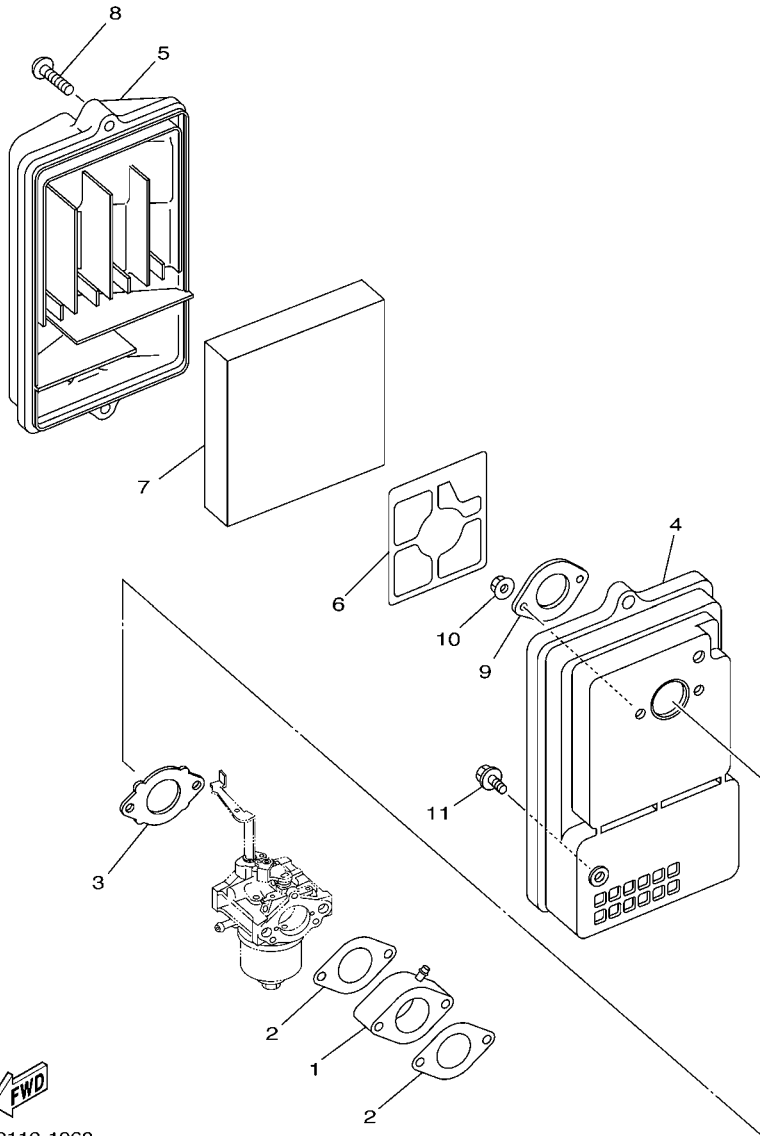


FIG. 9 INTAKE 2

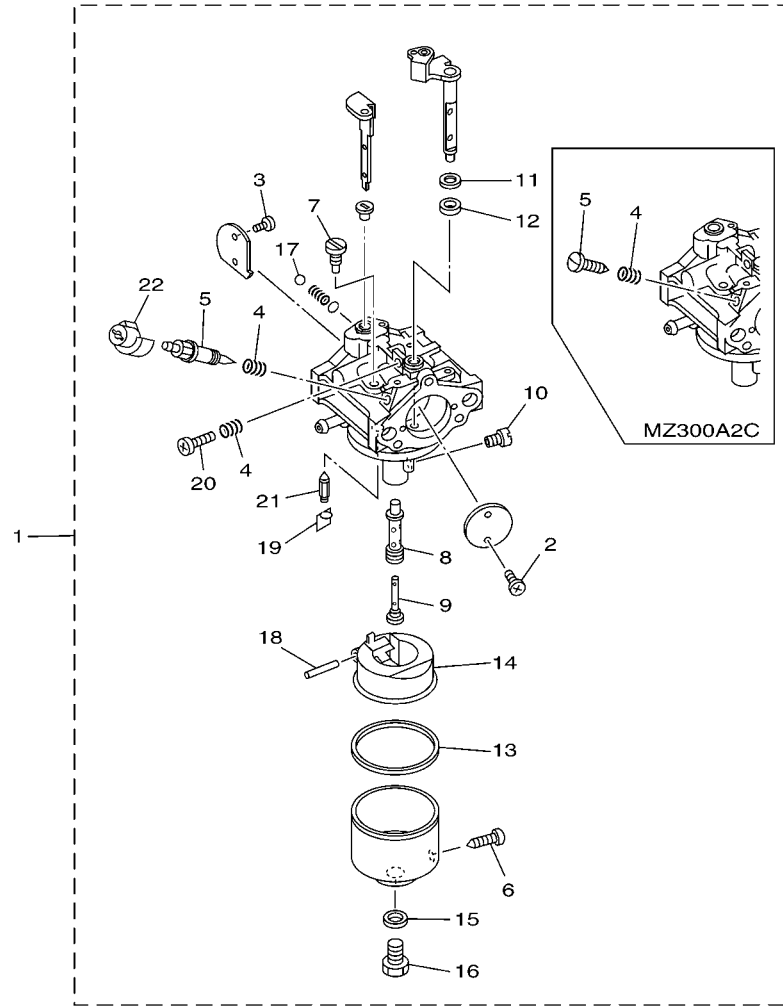
REF. NO.	PART NO.	DESCRIPTION	7CR1	7CR2	7CRB	7CRC	REMARKS
1	7CT-E3596-00	JOINT, CARBURETOR 2		1			
2	7CT-E3557-00	GASKET		2			
3	7CT-E3567-00	GASKET		2			FOR MZ300B1T
	7CT-E3567-00	GASKET		1			EXCEPT MZ300B1T
4	7RH-14411-01	CASE, AIR CLEANER 1		1			
5	7RH-14412-01	CAP, CLEANER CASE 1		1			
6	7RH-14468-00	PLATE,ELEMENT FITTING		1			
7	7RH-14451-00	ELEMENT, AIR CLEANER		1			FOR MZ300B1T
	7RK-14451-10	ELEMENT, AIR CLEANER		1			EXCEPT MZ300B1T
8	7RH-14429-00	SCREW		2			
9	7RK-14461-10	ELEMENT, AIR CLEANER 2		1			EXCEPT MZ300B1T
10	7RK-14462-10	SEAL		1			EXCEPT MZ300B1T
11	7CT-E4477-00	PLATE		1			
12	7CT-E4477-10	PLATE		1			FOR MZ300B1T
13	95707-08500	NUT, FLANGE		2			
14	95807-06020	BOLT, FLANGE		1			FOR MZ300B1T
	95807-06016	BOLT, FLANGE		1			EXCEPT MZ300B1T



7XB2110-1060

FIG. 10 INTAKE 3

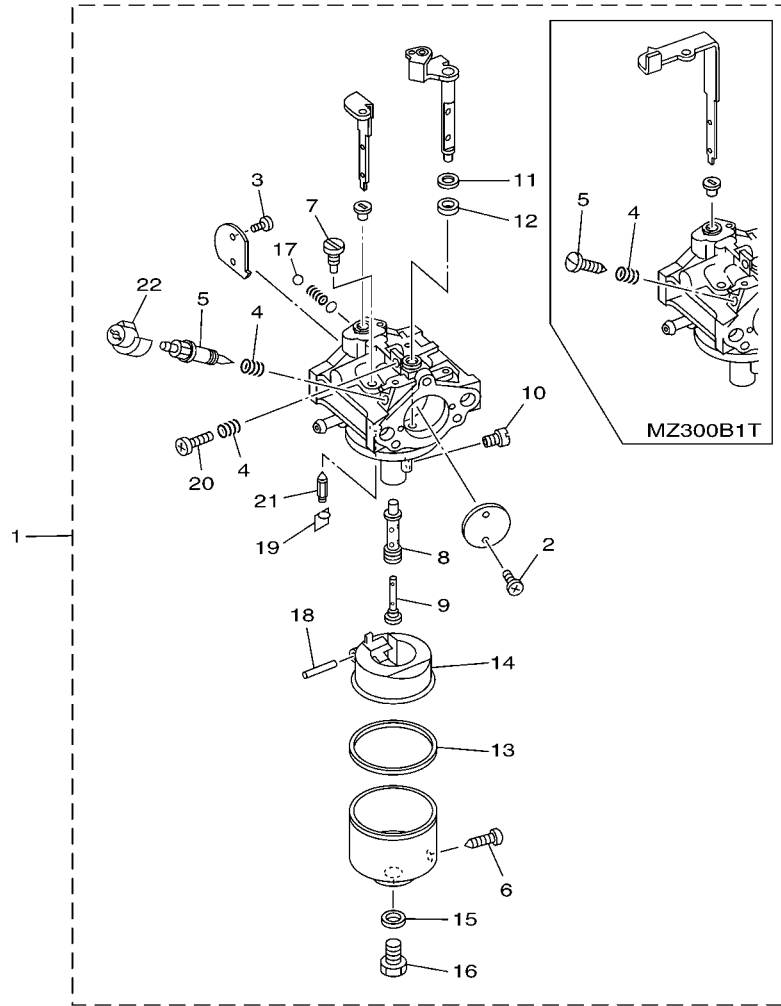
REF. NO.	PART NO.	DESCRIPTION	7CR1	7CR2	7CRB	7CRC	REMARKS
1	7CT-E3596-00	JOINT, CARBURETOR 2			1	1	
2	7CT-E3557-00	GASKET			2	2	
3	7CT-E3567-00	GASKET			1	1	
4	7RH-14411-01	CASE, AIR CLEANER 1			1	1	
5	7RH-14412-01	CAP, CLEANER CASE 1			1	1	
6	7RH-14468-00	PLATE, ELEMENT FITTING			1	1	
7	7RH-14451-00	ELEMENT, AIR CLEANER			1	1	
8	7RH-14429-00	SCREW			2	2	
9	7CT-E4477-00	PLATE			1	1	
10	95707-08500	NUT, FLANGE			2	2	
11	95807-06016	BOLT, FLANGE			1	1	




7CR1400-E120

FIG. 11 CARBURETOR 1

REF. NO.	PART NO.	DESCRIPTION	7CR1	7CR2	7CRB	7CRC	REMARKS
1	7CR-E4101-50	CARBURETOR ASSY 1	1				FOR MZ300A2B
	7CR-E4101-60	CARBURETOR ASSY 1	1				FOR MZ300A2C
2	7RH-14216-00	.SCREW	2				
3	7RH-14486-00	.SCREW, ROD	2				
4	73A-14212-00	.SPRING	2				
5	7NJ-14211-00	.SCREW, PILOT ADJUSTING	1				FOR MZ300A2B
	7LV-14211-00	.SCREW, PILOT ADJUSTING	1				FOR MZ300A2C
6	7E1-14191-00	.PLUG, DRAIN	1				
7	620-1414J-24-A0	.JET, PILOT (#61.3)	1				FOR MZ300A2B
	620-1414J-24	.JET, PILOT (#61.3)	1				FOR MZ300A2C
8	7RK-1495N-6A	.NOZZLE, MAIN	1				
9	73A-1414G-00	.PIPE, MAIN BLEED	1				
10	3G2-14231-20-A0	.JET, MAIN (#100)	1				FOR MZ300A2B
	3G2-1423A-70	.JET, MAIN (# 97.5)	1				FOR MZ300A2C
11	4CW-14117-00	.WASHER, PLUG SCREW	1				
12	6K8-14597-10	.WASHER	1				
13	796-14184-00	.GASKET, FLOAT CHAMBER	1				
14	JN6-14185-00	.FLOAT	1				
15	127-14198-00	.GASKET	1				
16	7RG-14162-00	.BOLT, HOLDING	1				
17	93501-08001	.BALL	1				
18	22F-14186-00	.PIN, FLOAT	1				
19	7EG-14159-00	.CLIP	1				
20	1WG-14922-00	.SCREW, THROTTLE	1				
21	73A-14150-00	.NEEDLE ASSY	1				
22	7LV-14118-00	.CAP	1				FOR MZ300A2B

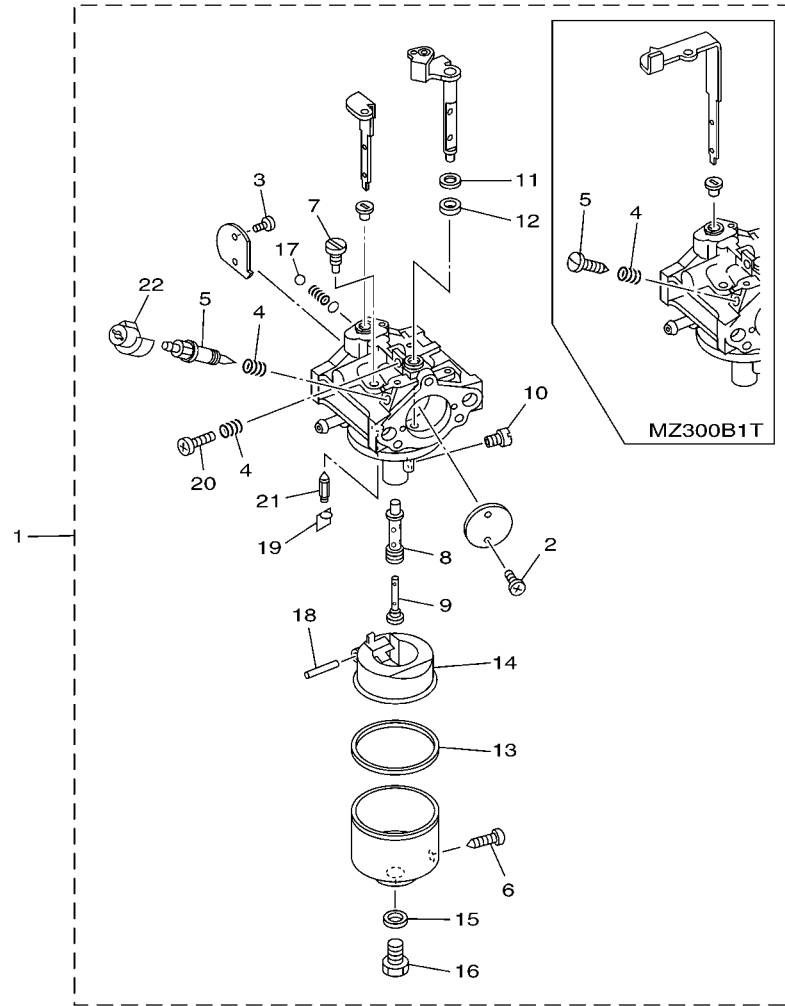


FWD
7CR1400-E130

FIG. 12 CARBURETOR 2

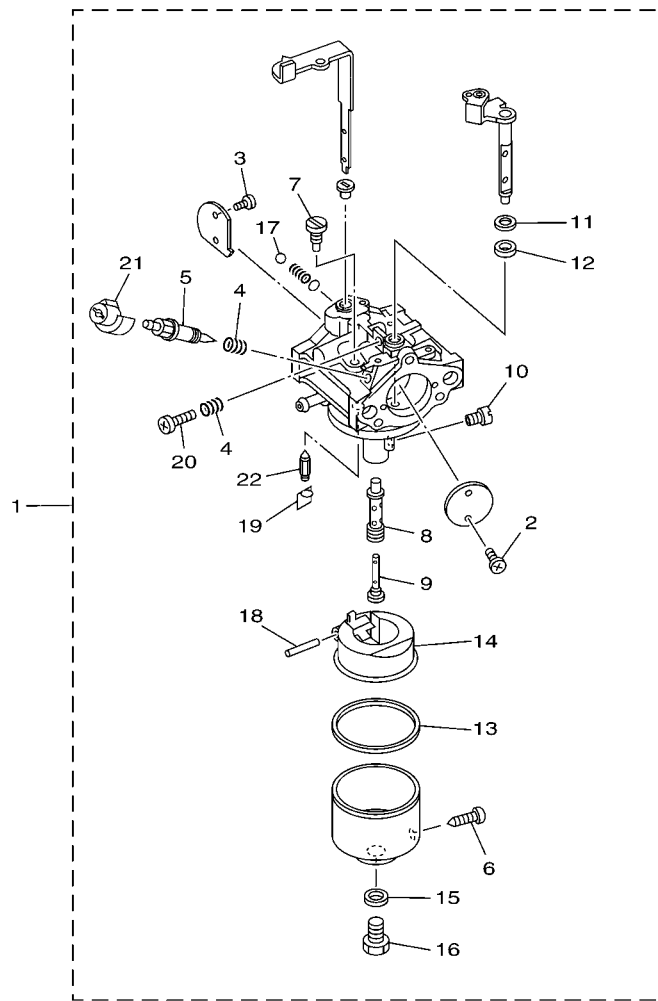
REF. NO.	PART NO.	DESCRIPTION	7CR1	7CR2	7CRB	7CRC	REMARKS
1	7CR-E4101-30	CARBURETOR ASSY 1		1			FOR MZ300B1T
	7CR-E4101-50	CARBURETOR ASSY 1		1			EXCEPT MZ300B1T
2	7RH-14216-00	.SCREW		2			
3	7RH-14486-00	.SCREW, ROD		2			
4	73A-14212-00	.SPRING		2			
5	7LV-14211-00	.SCREW, PILOT ADJUSTING		1			FOR MZ300B1T
	7NJ-14211-00	.SCREW, PILOT ADJUSTING		1			EXCEPT MZ300B1T
6	7E1-14191-00	.PLUG, DRAIN		1			
7	620-1414J-24	.JET, PILOT (#61.3)		1			FOR MZ300B1T
	620-1414J-24-A0	.JET, PILOT (#61.3)		1			EXCEPT MZ300B1T
8	7LW-14941-53	.NOZZLE, MAIN		1			FOR MZ300B1T
	7RK-1495N-6A	.NOZZLE, MAIN		1			EXCEPT MZ300B1T
9	73A-1414G-00	.PIPE, MAIN BLEED		1			
10	3G2-14231-20	.JET, MAIN (#100)		1			FOR MZ300B1T
	3G2-14231-20-A0	.JET, MAIN (#100)		1			EXCEPT MZ300B1T
11	4CW-14117-00	.WASHER, PLUG SCREW		1			
12	7X9-14239-00	.SEAL		1			FOR MZ300B1T
	6K8-14597-10	.WASHER		1			EXCEPT MZ300B1T
13	796-14184-00	.GASKET, FLOAT CHAMBER		1			
14	JN6-14185-00	.FLOAT		1			
15	127-14198-00	.GASKET		1			
16	7RG-14162-00	.BOLT, HOLDING		1			
17	93501-08001	.BALL		1			
18	22F-14186-00	.PIN, FLOAT		1			
19	7EG-14159-00	.CLIP		1			
20	1WG-14922-00	.SCREW, THROTTLE		1			
21	73A-14150-00	.NEEDLE ASSY		1			

FIG. 12 CARBURETOR 2




7CR1400-E130

REF. NO.	PART NO.	DESCRIPTION	7CR1	7CR2	7CRB	7CRC	REMARKS
22	7LV-14118-00	.CAP		1			EXCEPT MZ300B1T

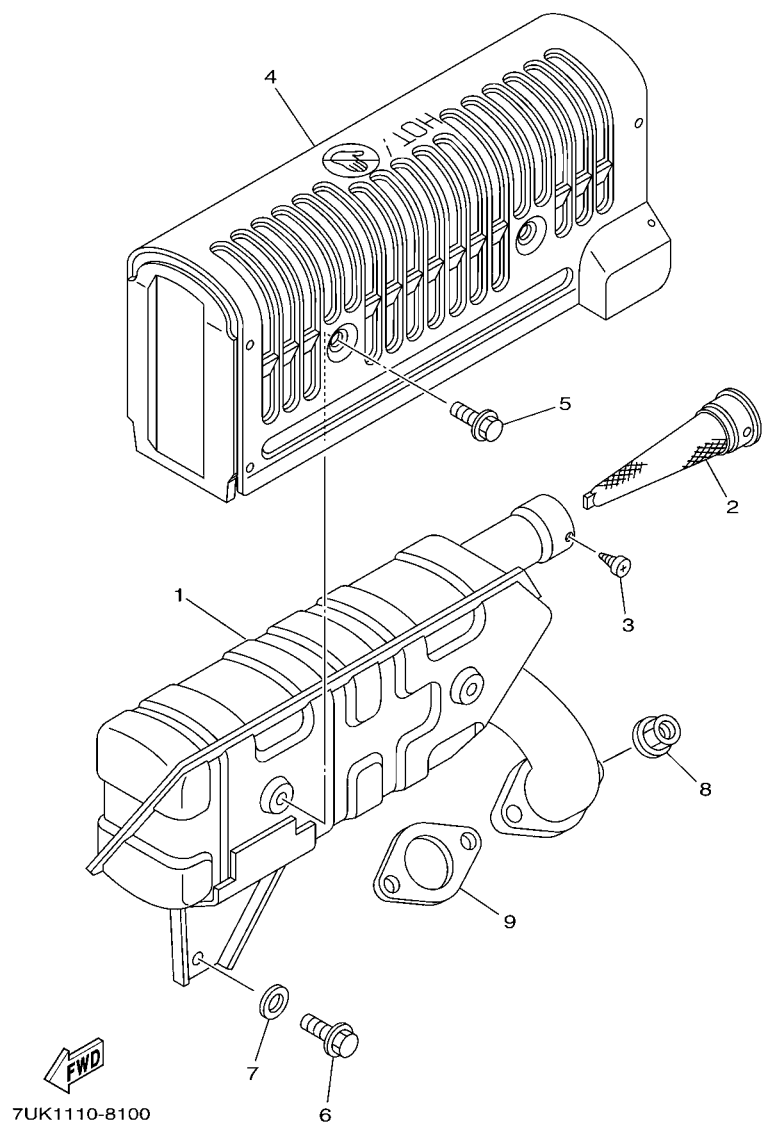


FWD
7CR1400-E140

FIG. 13 CARBURETOR 3

REF. NO.	PART NO.	DESCRIPTION	7CR1	7CR2	7CRB	7CRC	REMARKS
1	7CR-E4101-10	CARBURETOR ASSY 1			1	1	
2	7RH-14216-00	.SCREW			2	2	
3	7RH-14486-00	.SCREW, ROD			2	2	
4	73A-14212-00	.SPRING			2	2	
5	7NJ-14211-00	.SCREW, PILOT ADJUSTING			1	1	
6	7E1-14191-00	.PLUG, DRAIN			1	1	
7	620-14142-57-A0	.JET, PILOT (#57.5)			1	1	
8	7RK-1495N-6B	.NOZZLE, MAIN			1	1	
9	73A-1414G-00	.PIPE, MAIN BLEED			1	1	
10	3G2-14231-20-A0	.JET, MAIN (#100)			1	1	
11	4CW-14117-00	.WASHER, PLUG SCREW			1	1	
12	6K8-14597-10	.WASHER			1	1	
13	796-14184-00	.GASKET, FLOAT CHAMBER			1	1	
14	JN6-14185-00	.FLOAT			1	1	
15	127-14198-00	.GASKET			1	1	
16	7RG-14162-00	.BOLT, HOLDING			1	1	
17	93501-08001	.BALL			1	1	
18	22F-14186-00	.PIN, FLOAT			1	1	
19	7EG-14159-00	.CLIP			1	1	
20	1WG-14922-00	.SCREW, THROTTLE			1	1	
21	7LV-14118-00	.CAP			1	1	
22	73A-14150-00	.NEEDLE ASSY			1	1	

FIG. 14 EXHAUST



REF. NO.	PART NO.	DESCRIPTION	7CR1	7CR2	7CRB	7CRC	REMARKS
1	7CT-E4711-00	MUFFLER 1	1	1	1	1	EXCEPT K2U,L2U-EF
2	7CT-E4786-00	ARRESTER, SPARK	1	1	1	1	EXCEPT K2U,L2U-EF
3	97707-40506	SCREW, TAPPING	1	1	1	1	EXCEPT K2U,L2U-EF
4	7CT-E4708-00	PROTECTOR ASSY	1	1	1	1	EXCEPT K2U,L2U-EF
5	95827-06008	BOLT, FLANGE	4	4	4	4	EXCEPT K2U,L2U-EF
6	95827-08016	BOLT, FLANGE	1	1	1	1	EXCEPT K2U,L2U-EF
7	90201-086A3	WASHER, PLATE	1	1	1	1	EXCEPT K2U,L2U-EF
8	95307-08600	NUT	2	2	2	2	EXCEPT K2U,L2U-EF
9	7CT-E4613-00	GASKET, EXHAUST PIPE	1	1	1	1	EXCEPT K2U,L2U-EF

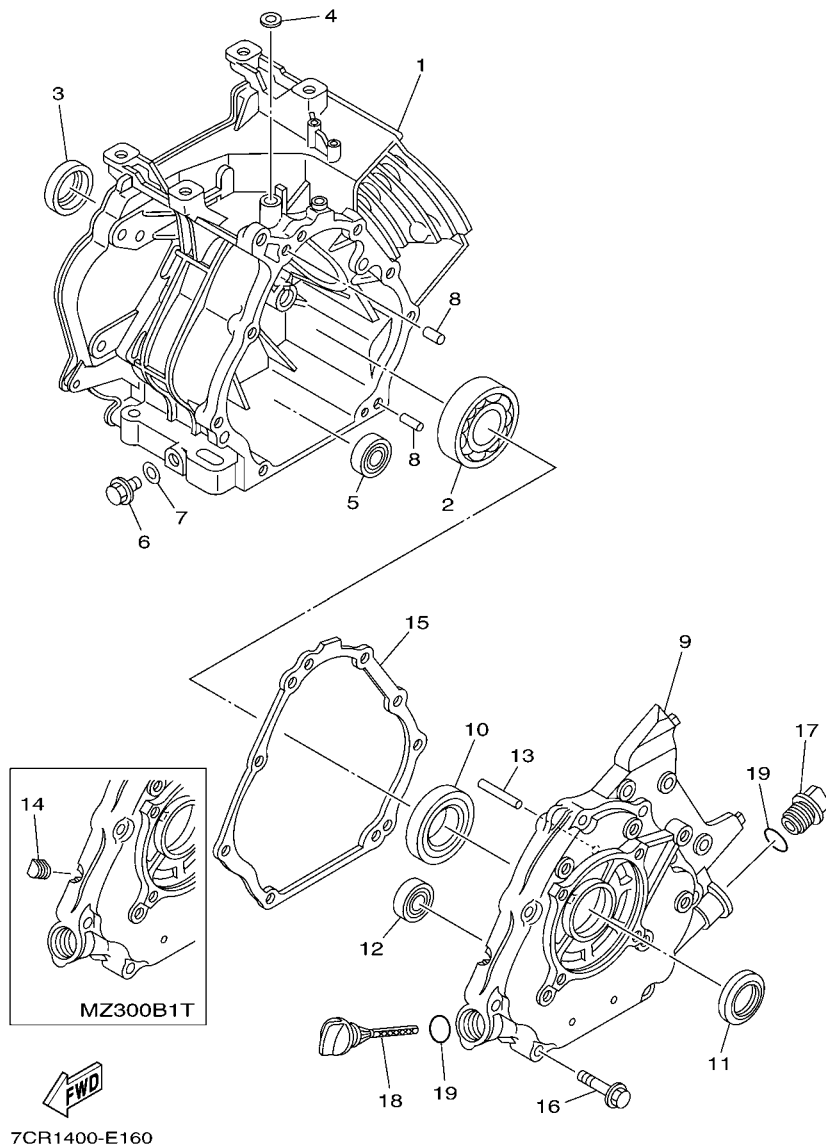
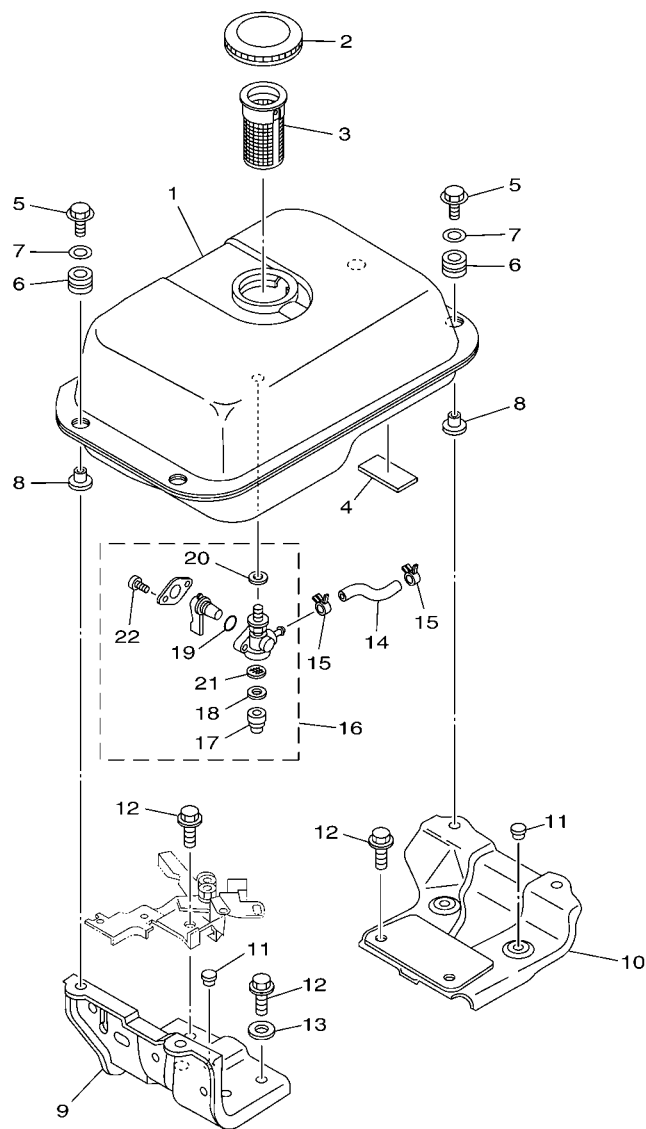


FIG. 15 CRANKCASE COVER 1

REF. NO.	PART NO.	DESCRIPTION	7CR1	7CR2	7CRB	7CRC	REMARKS
1	7CR-E5111-00	CRANKCASE 1	1	1	1	1	
2	93306-307Y1	BEARING	1	1	1	1	
3	93102-35802	OIL SEAL	1	1	1	1	
4	93109-08803	OIL SEAL	1	1	1	1	
5	93306-252X4	BEARING	1	1	1	1	
6	90340-12097	PLUG, STRAIGHT SCREW	2	2	2	2	
7	7CT-E1198-00	GASKET	2	2	2	2	
8	99530-08016	PIN, DOWEL	2	2	2	2	
9	7CT-E5411-10	COVER, CRANKCASE 1	1	1	1	1	
10	93306-207Y0	BEARING	1	1	1	1	
11	93102-35802	OIL SEAL	1	1	1	1	
12	93306-252X4	BEARING	1	1	1	1	
13	7CT-E1971-00	SHAFT, FLYWEIGHT	1	1	1	1	
14	90338-06800	PLUG	1				FOR MZ300B1T
15	7CT-E5451-00	GASKET, CRANKCASE COVER 1	1	1	1	1	
16	95817-08045	BOLT, FLANGE	8	8	8	8	
17	7CN-E5363-00	PLUG, OIL	1	1	1	1	
18	7CT-E5362-00	PLUG, OIL LEVEL	1	1	1	1	
19	93210-22805	O-RING	2	2	2	2	

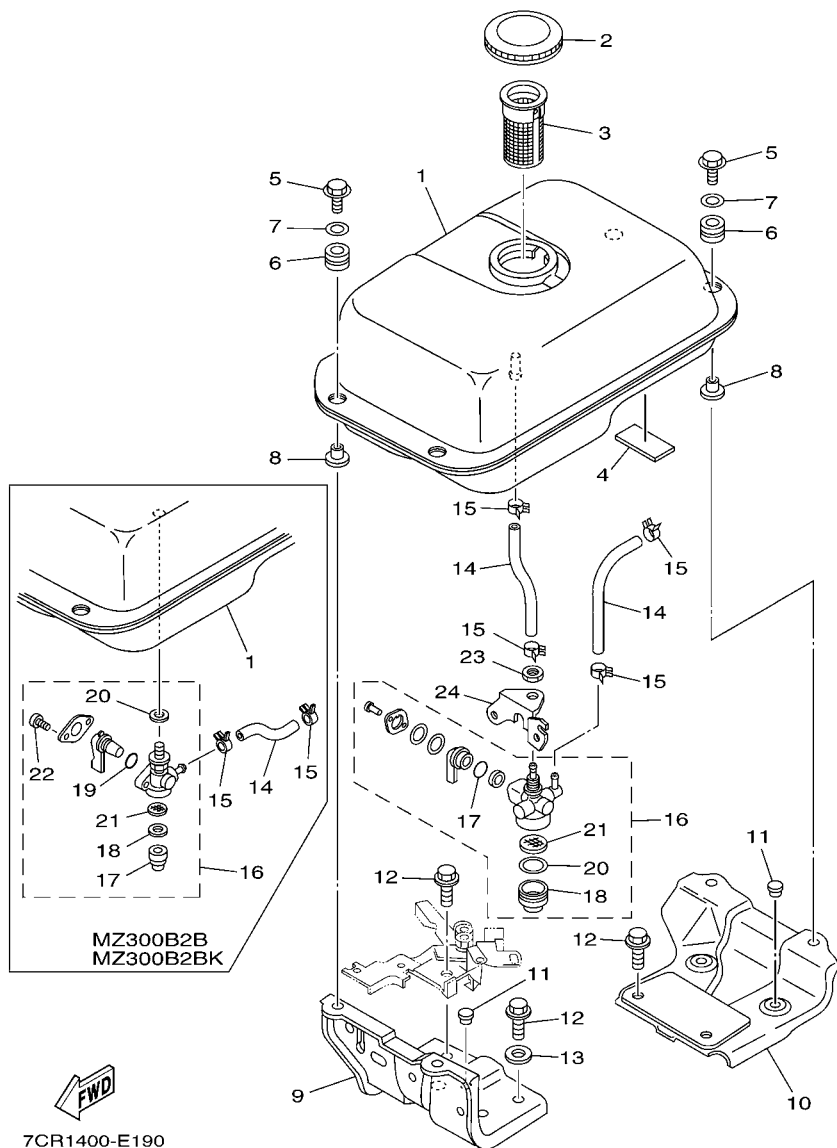
FIG. 16 FUEL TANK



7CR1400-E180

REF. NO.	PART NO.	DESCRIPTION	7CR1	7CR2	7CRB	7CRC	REMARKS
1	7CT-F4110-00-NJ	FUEL TANK COMP.	1		1	1	FWB EXCEPT K2U,L2
2	7CN-F4610-00	CAP ASSY	1		1	1	EXCEPT K2U,L2U-EF
3	7CN-F4167-00	STRAINER	1		1	1	EXCEPT K2U,L2U-EF
4	7CT-F4181-00	DAMPER, LOCATING 1	1		1	1	EXCEPT K2U,L2U-EF
5	7CT-F4176-00	BOLT 1	4		4	4	EXCEPT K2U,L2U-EF
6	90480-15235	GROMMET	4		4	4	EXCEPT K2U,L2U-EF
7	90201-06380	WASHER, PLATE	4		4	4	EXCEPT K2U,L2U-EF
8	90387-067K8	COLLAR	4		4	4	EXCEPT K2U,L2U-EF
9	7CT-F4115-00	STAY, FUEL TANK 1	1		1	1	EXCEPT K2U,L2U-EF
10	7CT-F4116-00	STAY, FUEL TANK 2	1		1	1	EXCEPT K2U,L2U-EF
11	90338-05800	PLUG	3		3	3	EXCEPT K2U,L2U-EF
12	95817-08020	BOLT, FLANGE	4		4	4	EXCEPT K2U,L2U-EF
13	90201-08826	WASHER, PLATE	1		1	1	EXCEPT K2U,L2U-EF
14	90445-10456	HOSE (L95)	1		1	1	EXCEPT K2U,L2U-EF
15	90467-09806	CLIP	2		2	2	EXCEPT K2U,L2U-EF
16	7CN-F4500-00	FUEL COCK ASSY 1	1		1	1	EXCEPT K2U,L2U-EF
17	7J3-24521-00	.CUP, FILTER	1		1	1	EXCEPT K2U,L2U-EF
18	4X8-24565-00	.GASKET	1		1	1	EXCEPT K2U,L2U-EF
19	7NJ-24534-00	.SEAL, COCK	1		1	1	EXCEPT K2U,L2U-EF
20	7NJ-24532-00	.GASKET	1		1	1	EXCEPT K2U,L2U-EF
21	7NJ-24515-01	.NET, FILTER 2	1		1	1	EXCEPT K2U,L2U-EF
22	98507-03008	.SCREW, PAN HEAD	2		2	2	EXCEPT K2U,L2U-EF

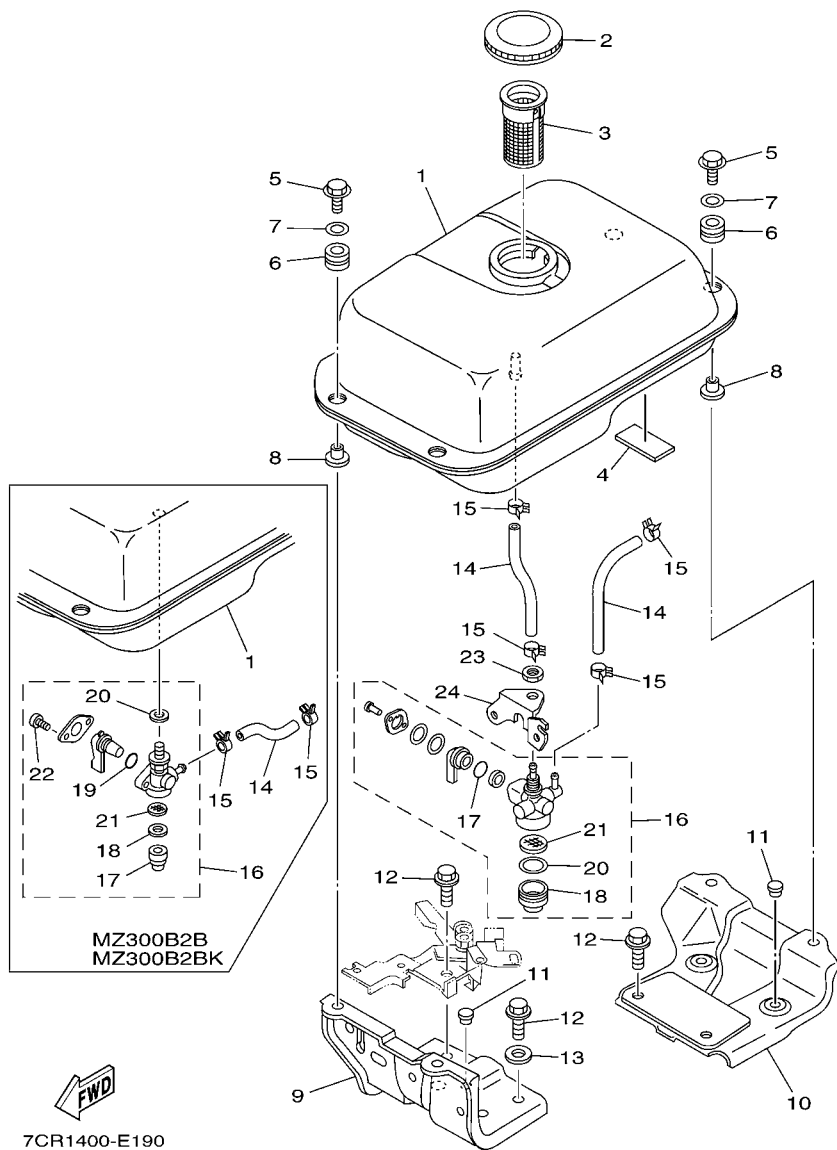
FIG. 17 FUEL TANK 2



7CR1400-E190

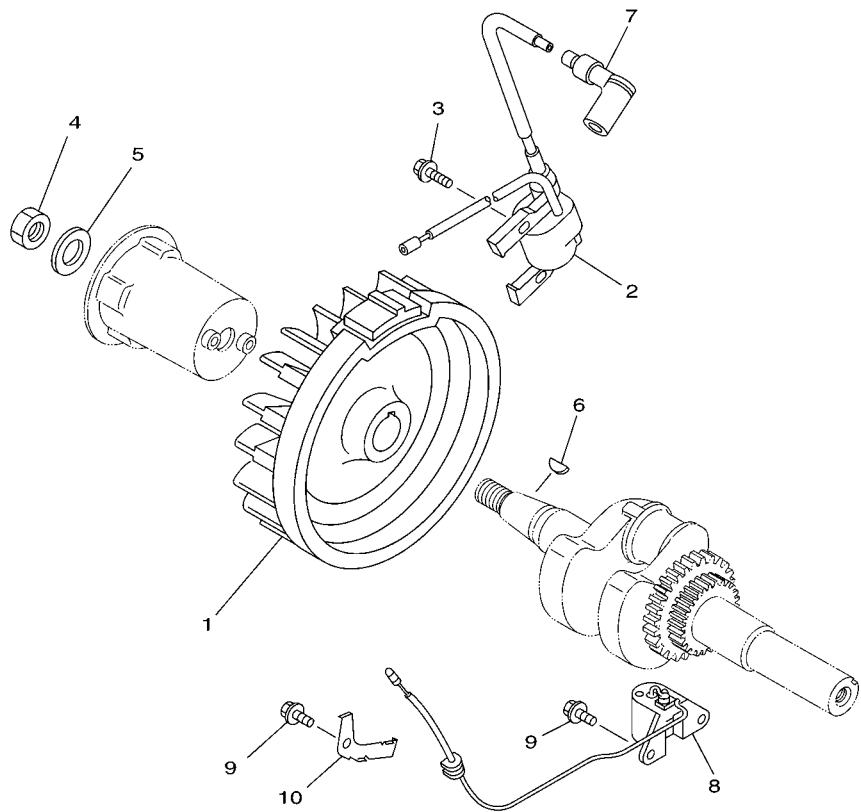
REF. NO.	PART NO.	DESCRIPTION	7CR1	7CR2	7CRB	7CRC	REMARKS
1	7CT-F4110-00-NJ	FUEL TANK COMP.		1			UR FWB, MZ300B1T
	7CT-F4110-10-NJ	FUEL TANK COMP.		1			UR FWB, B2B/B2BK
2	7CN-F4610-00	CAP ASSY		1			
3	7CN-F4167-00	STRAINER		1			
4	7CT-F4181-00	DAMPER, LOCATING 1		1			
5	7CT-F4176-00	BOLT 1		4			
6	90480-15235	GROMMET		4			
7	90201-06380	WASHER, PLATE		4			
8	90387-067K8	COLLAR		4			
9	7CT-F4115-00	STAY, FUEL TANK 1		1			
10	7CT-F4116-00	STAY, FUEL TANK 2		1			
11	90338-05800	PLUG		3			
12	95817-08020	BOLT, FLANGE		4			
13	90201-08826	WASHER, PLATE		1			
14	90445-100E9	HOSE (L155)		2			FOR MZ300B1T
	90445-10456	HOSE (L95)		1			EXCEPT MZ300B1T
15	90467-09806	CLIP		4			FOR MZ300B1T
	90467-09806	CLIP		2			EXCEPT MZ300B1T
16	7CN-F4500-11	FUEL COCK ASSY 1		1			FOR MZ300B1T
	7CN-F4500-00	FUEL COCK ASSY 1		1			EXCEPT MZ300B1T
17	7CN-F4534-00	.SEAL, COCK		1			FOR MZ300B1T
	7J3-24521-00	.CUP, FILTER		1			EXCEPT MZ300B1T
18	7J3-24521-00	.CUP, FILTER		1			FOR MZ300B1T
	4X8-24565-00	.GASKET		1			EXCEPT MZ300B1T
19	7NJ-24534-00	.SEAL, COCK		1			EXCEPT MZ300B1T
20	4X8-24565-00	.GASKET		1			FOR MZ300B1T
	7NJ-24532-00	.GASKET		1			EXCEPT MZ300B1T

FIG. 17 FUEL TANK 2



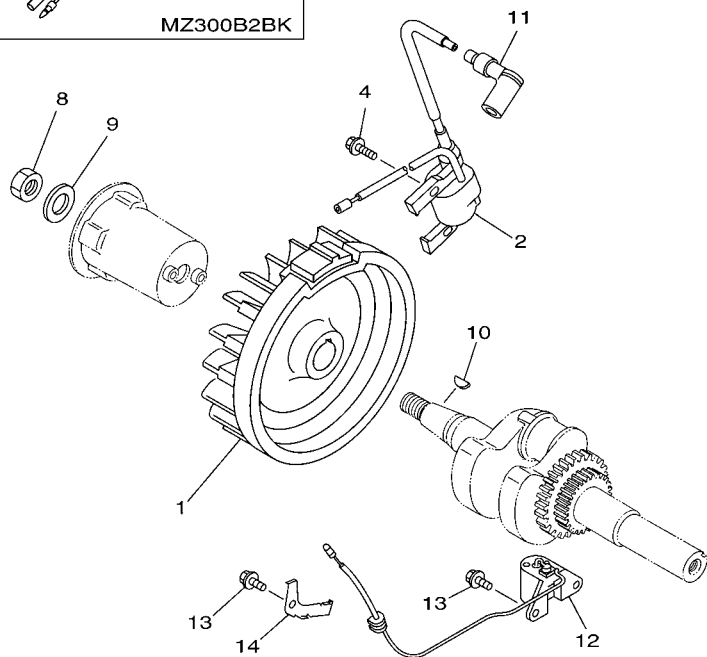
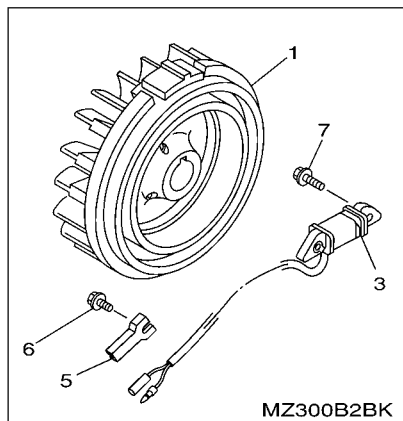
REF. NO.	PART NO.	DESCRIPTION	7CR1	7CR2	7CRB	7CRC	REMARKS
21	7CN-F4515-10	.NET, FILTER 2		1			FOR MZ300B1T
	7NJ-24515-01	.NET, FILTER 2		1			EXCEPT MZ300B1T
22	98507-03008	.SCREW, PAN HEAD		2			EXCEPT MZ300B1T
23	95307-10700	NUT		1			FOR MZ300B1T
24	7CT-F4544-00	BRACKET, FUEL COCK		1			FOR MZ300B1T
<hr/>							
<hr/>							
<hr/>							
<hr/>							
<hr/>							
<hr/>							
<hr/>							
<hr/>							
<hr/>							
<hr/>							

FIG. 18 GENERATOR 1




7CR1400-E200

REF. NO.	PART NO.	DESCRIPTION	7CR1	7CR2	7CRB	7CRC	REMARKS
1	7CT-H5650-00	ROTOR ASSY	1		1	1	
2	7CT-H5640-00	T.C.I. UNIT ASSY	1		1	1	
3	95880-06020	BOLT, FLANGE	2		2	2	
4	90170-18391	NUT	1		1	1	
5	90201-18008	WASHER, PLATE	1		1	1	
6	90280-04801	KEY, WOODRUFF	1		1	1	
7	7CN-H2370-00	PLUG CAP ASSY	1		1	1	
8	7CT-H5720-00	OIL LEVEL GAUGE ASSY	1		1	1	
9	95827-06012	BOLT, FLANGE	3		3	3	
10	7CN-H5724-00	CLAMP	1		1	1	



7CR1400-E210

FIG. 19 GENERATOR 2

REF. NO.	PART NO.	DESCRIPTION	7CR1	7CR2	7CRB	7CRC	REMARKS
1	7CT-H5650-00	ROTOR ASSY		1			EXCEPT MZ300B2BK
	7CT-H5650-10	ROTOR ASSY		1			FOR MZ300B2BK
2	7CT-H5640-00	T.C.I. UNIT ASSY		1			
3	7CR-H5521-00	COIL ASSY		1			FOR MZ300B2BK
4	95880-06020	BOLT, FLANGE		2			
5	90462-06232	CLAMP		1			FOR MZ300B2BK
6	95807-06012	BOLT, FLANGE		1			FOR MZ300B2BK
7	95807-06020	BOLT, FLANGE		2			FOR MZ300B2BK
8	90170-18391	NUT		1			
9	90201-18008	WASHER, PLATE		1			
10	90280-04801	KEY, WOODRUFF		1			
11	7CN-H2370-00	PLUG CAP ASSY		1			
	7CN-H2370-10	PLUG CAP ASSY		1			FOR MZ300B1T
12	7CT-H5720-00	OIL LEVEL GAUGE ASSY		1			EXCEPT MZ300B1T
13	95827-06012	BOLT, FLANGE		3			EXCEPT MZ300B1T
14	7CN-H5724-00	CLAMP		1			EXCEPT MZ300B1T

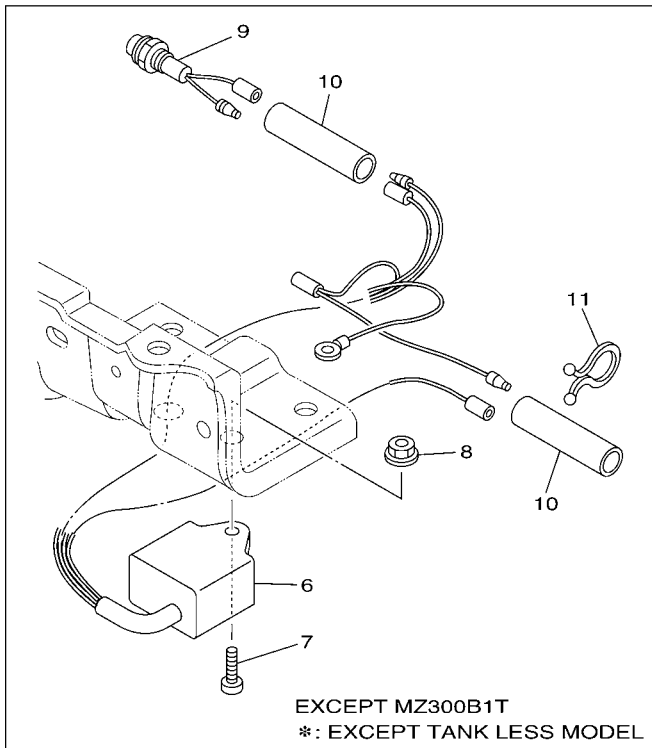
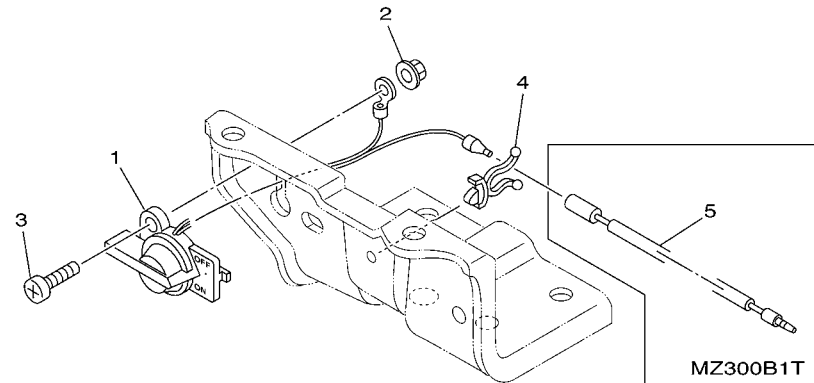


FIG. 20 ELECTRICAL

REF. NO.	PART NO.	DESCRIPTION	7CR1	7CR2	7CRB	7CRC	REMARKS
1	7CN-H2550-00	ENGINE STOP SWITCH ASSY	1	1	1	1	*
2	95704-06500	NUT, FLANGE	1	1	1	1	*
3	98507-06014	SCREW, PAN HEAD	1	1	1	1	*
4	90464-07803	CLAMP	1	1	1	1	*
5	7CP-H2507-00	WIRE, LEAD		1			FOR MZ300B1T
6	7CN-H5690-00	OIL WARNING UNIT	1	1	1	1	EXCEPT MZ300B1T *
7	7CT-H2379-00	SCREW, UNIT	1	1			EXCEPT MZ300B1T *
	98507-06020	SCREW, PAN HEAD			1	1	*
8	95704-06500	NUT, FLANGE	1	1	1	1	EXCEPT MZ300B1T *
9	7CA-H5770-01	OIL PILOT LIGHT ASSY	1	1	1	1	EXCEPT MZ300B1T *
10	7CT-H2139-00	TUBE	2	2	2	2	EXCEPT MZ300B1T *
11	90464-16805	CLAMP	1	1	1	1	EXCEPT MZ300B1T *

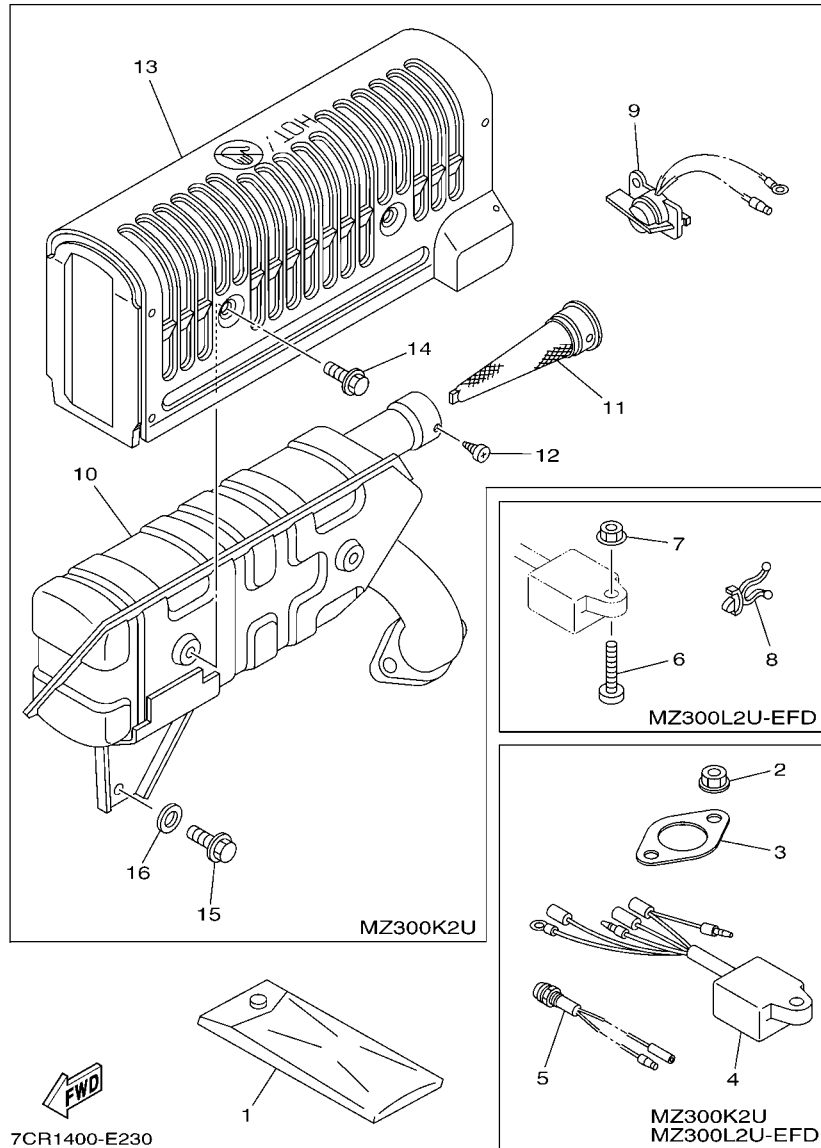


FIG. 21 BODY FITTING

REF. NO.	PART NO.	DESCRIPTION	7CR1	7CR2	7CRB	7CRC	REMARKS
1	7CT-F8100-00	TOOL KIT	1	1	1	1	
2	95307-08600	NUT			2	2	FOR K2U, L2U-EFD
3	7CT-E4613-00	GASKET, EXHAUST PIPE			1	1	FOR K2U, L2U-EFD
4	7CN-H5690-00	OIL WARNING UNIT			1	1	FOR K2U, L2U-EFD
5	7CA-H5770-01	OIL PILOT LIGHT ASSY			1	1	FOR K2U, L2U-EFD
6	98507-06020	SCREW, PAN HEAD				1	FOR L2U-EFD
7	95704-06500	NUT, FLANGE				1	FOR L2U-EFD
8	90464-07803	CLAMP				1	FOR L2U-EFD
9	7CN-H2550-00	ENGINE STOP SWITCH ASSY			1		FOR K2U
10	7CT-E4711-00	MUFFLER 1			1		FOR K2U
11	7CT-E4786-00	ARRESTER, SPARK				1	FOR K2U
12	97707-40506	SCREW, TAPPING			1		FOR K2U
13	7CT-E4708-00	PROTECTOR ASSY			1		FOR K2U
14	95827-06008	BOLT, FLANGE			4		FOR K2U
15	95827-08016	BOLT, FLANGE			1		FOR K2U
16	90201-086A3	WASHER, PLATE				1	FOR K2U

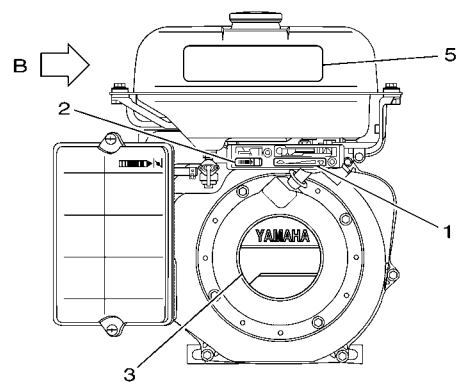
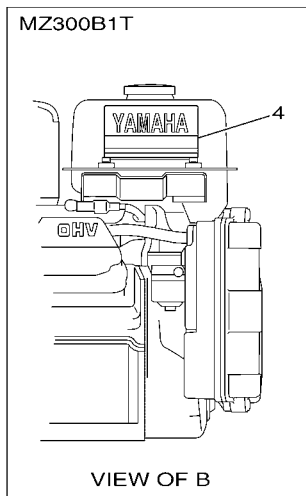


FIG. 22 EMBLEM & LABEL

REF. NO.	PART NO.	DESCRIPTION	7CR1	7CR2	7CRB	7CRC	REMARKS
1	7CN-F4154-00	INDICATOR, SHIFT	1	1			
2	7CN-F4155-00	INDICATOR, CHOKE	1	1			EXCEPT MZ300B1T
3	7CR-E2629-00	EMBLEM (YAMAHA MZ300)	1	1	1	1	
	7CR-E2629-10	EMBLEM (MZ300)		1			FOR MZ300B1T
4	7CT-F4161-00	EMBLEM 1 (LONGTAIL)		2			FOR MZ300B1T
5	7CN-F4162-00	EMBLEM 2 (WARNING)	1	1	1	1	EXCEPT K2U,L2U-EF

7CR1400-E240

NUMERICAL INDEX

PART NO.	REF. NO.	PART NO.	REF. NO.	PART NO.	REF. NO.	PART NO.	REF. NO.	PART NO.	REF. NO.	PART NO.	REF. NO.
7KY-11917-00	4 - 7	73A-14212-00	12 - 4	7CT-15711-00	7 - 7	7CT-E1922-00	4 - 8	7CT-E4477-00	9 - 11	7CN-H2370-00	18 - 7
	5 - 7		13 - 4	7CT-15713-00	7 - 10		5 - 8		10 - 9		19 - 11
J38-12117-01	6 - 7	7RH-14216-00	11 - 2	7CT-15714-00	7 - 8	7CT-E1924-10	4 - 11	7CT-E4477-10	9 - 12	7CN-H2370-10	19 - 11
22F-12159-00	6 - 10		12 - 2	7CN-15715-00	7 - 11		5 - 11	7CT-E4613-00	14 - 9	7CT-H2379-00	20 - 7
4CW-14117-00	11 - 11		13 - 2	7CT-15716-00	7 - 12	7CT-E1925-00	5 - 20		21 - 3	7CP-H2507-00	20 - 5
	12 - 11	3G2-14231-20	12 - 10	7CT-15741-00	7 - 9	7CT-E1925-10	4 - 20	7CT-E4708-00	14 - 4	7CN-H2550-00	20 - 1
	13 - 11	3G2-14231-20-A0	11 - 10	7CN-15743-00	7 - 14	7CT-E1925-20	5 - 20		21 - 13		21 - 9
7LV-14118-00	11 - 22		12 - 10	7CT-15751-00	7 - 15	7CT-E1928-00	4 - 15	7CT-E4711-00	14 - 1	7CR-H5521-00	19 - 3
	12 - 22		13 - 10	7CN-15755-00	7 - 16		5 - 15		21 - 10	7CT-H5640-00	18 - 2
	13 - 21	7X9-14239-00	12 - 12	7CN-15793-00	7 - 13	7CT-E1932-00	4 - 23	7CT-E4786-00	14 - 2		19 - 2
620-14142-57-A0	13 - 7	3G2-1423A-70	11 - 10	7NJ-24515-01	16 - 21	7CT-E1933-00	4 - 21		21 - 11	7CT-H5650-00	18 - 1
73A-1414G-00	11 - 9	7RH-14411-01	8 - 4		17 - 21	7CN-E1950-00	5 - 17	7CR-E5111-00	15 - 1		19 - 1
	12 - 9		9 - 4	7J3-24521-00	16 - 17	7CT-E1950-10	5 - 17	7CT-E5362-00	15 - 18	7CT-H5650-10	19 - 1
	13 - 9		10 - 4		17 - 17	7CN-E5363-00	4 - 1	7CN-E5363-00	15 - 17	7CN-H5690-00	20 - 6
620-1414J-24	11 - 7	7RK-14411-20	8 - 4		17 - 18	7CT-E1970-00	5 - 1	7CT-E5411-10	15 - 9		21 - 4
	12 - 7	7RH-14412-01	8 - 5	7NJ-24532-00	16 - 20	7CT-E1971-00	15 - 13	7CT-E5451-00	15 - 15	7CT-H5720-00	18 - 8
620-1414J-24-A0	11 - 7		9 - 5		17 - 20	7CT-E2111-00	6 - 3	7CT-E5710-00	7 - 6		19 - 12
	12 - 7		10 - 5	7NJ-24534-00	16 - 19	7CT-E2118-00	6 - 8	7CT-E5723-00	7 - 18	7CN-H5724-00	18 - 10
73A-14150-00	11 - 21	7RH-14429-00	8 - 8		17 - 19	7CT-E2119-00	6 - 14	7CT-F4110-00-NJ	16 - 1		19 - 14
	12 - 21		9 - 8	4X8-24565-00	16 - 18	7CT-E2121-00	6 - 4		17 - 1	7CA-H5770-01	20 - 9
	13 - 22		10 - 8		17 - 18	7CT-E2151-00	6 - 9	7CT-F4110-10-NJ	17 - 1		21 - 5
7EG-14159-00	11 - 19	7RH-14451-00	9 - 7		17 - 20	7CT-E2153-00	6 - 5	7CT-F4115-00	16 - 9	90170-05302	6 - 11
	12 - 19		10 - 7	7CR-E1111-00	1 - 1	7CT-E2154-00	6 - 13		17 - 9	90170-18391	18 - 4
	13 - 19	7RK-14451-10	8 - 7	7CT-E1166-00	1 - 10	7CT-E2156-00	6 - 12	7CT-F4116-00	16 - 10		19 - 8
7RG-14162-00	11 - 16		9 - 7	7CR-E1181-00	1 - 2	7CT-E2170-00	6 - 1		17 - 10	90173-06802	4 - 14
	12 - 16	7RK-14451-20	8 - 7	7CT-E1190-00	1 - 7	7CT-E2287-00	6 - 2	7CN-F4154-00	22 - 1		5 - 14
	13 - 16	7RK-14461-10	8 - 9	7CT-E1193-00	1 - 8	7CT-E2621-00	7 - 1	7CN-F4155-00	22 - 2	90201-06380	16 - 7
796-14184-00	11 - 13		9 - 9	7CT-E1198-00	15 - 7	7CT-E2621-10	7 - 1	7CT-F4161-00	22 - 4		17 - 7
	12 - 13	7RK-14461-20	8 - 9	7CR-E1400-00	2 - 1	7CT-E2621-20	7 - 1	7CN-F4162-00	22 - 5	90201-067L0	4 - 6
	13 - 13	7RK-14462-10	8 - 10	7CT-E1400-10	2 - 1	7CR-E2629-00	22 - 3	7CN-F4167-00	16 - 3		5 - 6
JN6-14185-00	11 - 14		9 - 10	7CT-E1400-30	2 - 1	7CR-E2629-10	22 - 3		17 - 3	90201-06842	4 - 4
	12 - 14	7RH-14468-00	8 - 6	7CT-E1400-50	2 - 1	7CT-E2651-00	7 - 3	7CT-F4176-00	16 - 5		5 - 4
	13 - 14		9 - 6	7CT-E1454-00	3 - 7	7CT-E3557-00	8 - 2		17 - 5	90201-08092	4 - 9
22F-14186-00	11 - 18		10 - 6	7CT-E1561-00	3 - 8		9 - 2	7CT-F4181-00	16 - 4		5 - 9
	12 - 18	7RK-14468-20	8 - 6	7CR-E1610-00	3 - 2		10 - 2		17 - 4	90201-086A3	14 - 7
	13 - 18	7RH-14486-00	11 - 3	7CR-E1610-10	3 - 2	7CT-E3567-00	8 - 3	7CN-F4500-00	16 - 16		21 - 16
7E1-14191-00	11 - 6		12 - 3	7CR-E1610-20	3 - 2		9 - 3		17 - 16	90201-08826	16 - 13
	12 - 6		13 - 3	7CR-E1631-00-A0	3 - 1		9 - 3	7CN-F4500-11	17 - 16		17 - 13
	13 - 6	6K8-14597-10	11 - 12	7CR-E1633-00	3 - 3		10 - 3	7CN-F4515-10	17 - 21	90201-18008	18 - 5
127-14198-00	11 - 15		12 - 12	7CR-E1635-00	3 - 1	7CT-E3596-00	8 - 1	7CN-F4534-00	17 - 17		19 - 9
	12 - 15		13 - 12	7CR-E1636-00	3 - 1		9 - 1	7CT-F4544-00	17 - 24	90280-04801	18 - 6
	13 - 15	1WG-14922-00	11 - 20	7CT-E1650-00	3 - 5		10 - 1	7CN-F4610-00	16 - 2		19 - 10
7LV-14211-00	11 - 5		12 - 20	7CT-E1654-00	3 - 6	7CR-E4101-10	13 - 1		17 - 2	90282-06037	2 - 2
	12 - 5		13 - 20	7CT-E1901-00	5 - 11	7CR-E4101-30	12 - 1	7CT-F8100-00	21 - 1	90282-07061	2 - 2
7NJ-14211-00	11 - 5	7LW-14941-53	12 - 8	7CT-E1913-00	4 - 2	7CR-E4101-50	11 - 1	7CT-G1240-00	4 - 17	90338-05800	16 - 11
	12 - 5	7RK-1495N-6A	11 - 8		5 - 2		12 - 1	7CT-G1256-00	7 - 19		17 - 11
	13 - 5		12 - 8	7CN-E1914-00	4 - 3	7CR-E4101-60	11 - 1	7CT-G1266-00	7 - 4	90338-06800	15 - 14
73A-14212-00	11 - 4	7RK-1495N-6B	13 - 8		5 - 3	7CT-E4477-00	8 - 11	7CT-H2139-00	20 - 10	90340-12097	15 - 6

NUMERICAL INDEX

PART NO.	REF. NO.	PART NO.	REF. NO.	PART NO.	REF. NO.	PART NO.	REF. NO.	PART NO.	REF. NO.	PART NO.	REF. NO.
90387-067K8	16 - 8	95704-06500	21 - 7								
	17 - 8	95707-08500	8 - 12								
90445-100E9	17 - 14		9 - 13								
90445-10456	16 - 14		10 - 10								
	17 - 14	95807-06008	7 - 17								
90462-06232	19 - 5	95807-06012	5 - 21								
90464-07803	20 - 4		7 - 2								
	21 - 8		19 - 6								
90464-16805	20 - 11	95807-06016	8 - 13								
90467-09806	16 - 15		9 - 14								
	17 - 15		10 - 11								
	17 - 15	95807-06020	9 - 14								
90468-12006	4 - 10		19 - 7								
	5 - 10	95817-08020	16 - 12								
90480-15235	16 - 6		17 - 12								
	17 - 6	95817-08045	15 - 16								
90501-090A8	4 - 19	95817-10070	1 - 3								
	5 - 19	95827-06008	14 - 5								
90501-10812	5 - 19		21 - 14								
90501-264A9	6 - 6	95827-06012	18 - 9								
90506-04421	7 - 20		19 - 13								
90506-04458	4 - 16	95827-06030	1 - 9								
	5 - 16	95827-08016	14 - 6								
90506-07412	4 - 26		21 - 15								
92907-06600	4 - 13	95880-06020	18 - 3								
	5 - 13		19 - 4								
93102-35802	15 - 3	97027-06030	4 - 12								
	15 - 11		5 - 12								
93109-08803	15 - 4	97707-40506	14 - 3								
93210-22805	15 - 19		21 - 12								
93306-207Y0	15 - 10	98507-03008	16 - 22								
93306-252X4	15 - 5		17 - 22								
	15 - 12	98507-04006	4 - 24								
93306-307Y1	15 - 2	98507-05010	7 - 5								
93440-06826	4 - 5	98507-05012	4 - 22								
	5 - 5	98507-05025	4 - 18								
93450-21833	3 - 4	98507-05030	5 - 18								
93501-08001	11 - 17	98507-06014	20 - 3								
	12 - 17	98507-06020	20 - 7								
	13 - 17		21 - 6								
94702-00819	1 - 6	98507-06035	5 - 18								
95307-08600	14 - 8	99001-04600	4 - 25								
	21 - 2	99530-08016	15 - 8								
95307-10700	17 - 23	99530-14016	1 - 4								
95607-08700	1 - 11										
95627-08618	1 - 5										
95704-06500	20 - 2										
	20 - 8										